



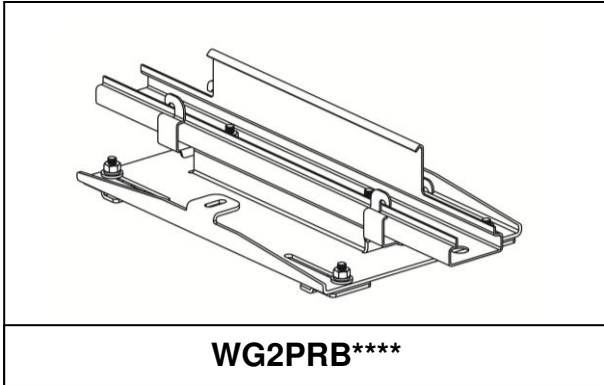
Wyr-Grid 2-Post Channel Trapeze Rack Mount Bracket

For Use With *PANDUIT*
Wyr-Grid OVERHEAD TRAY ROUTING SYSTEMS
 Part numbers: WG2PRB12**, WG2PRB18**, & WG2PRB24**

© Panduit Corp. 2013

INSTALLATION INSTRUCTIONS

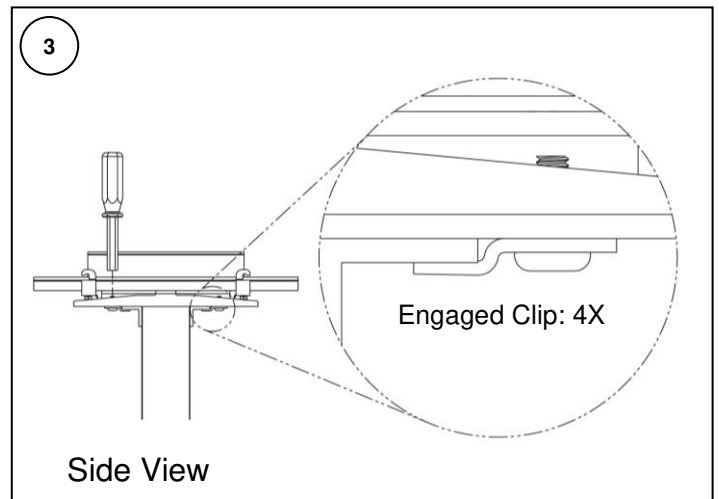
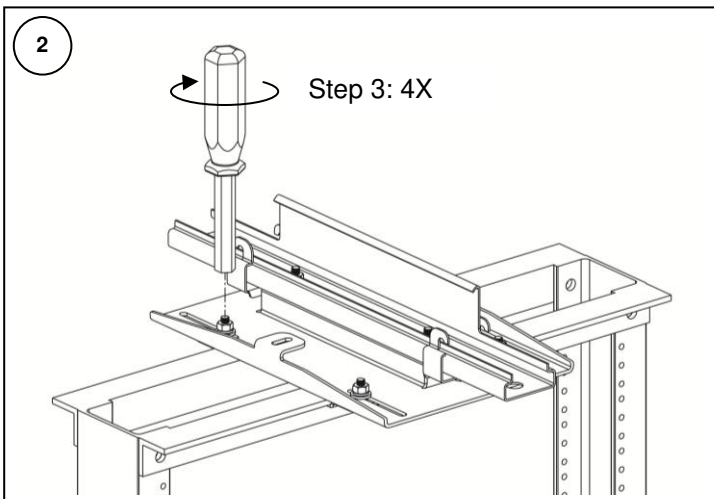
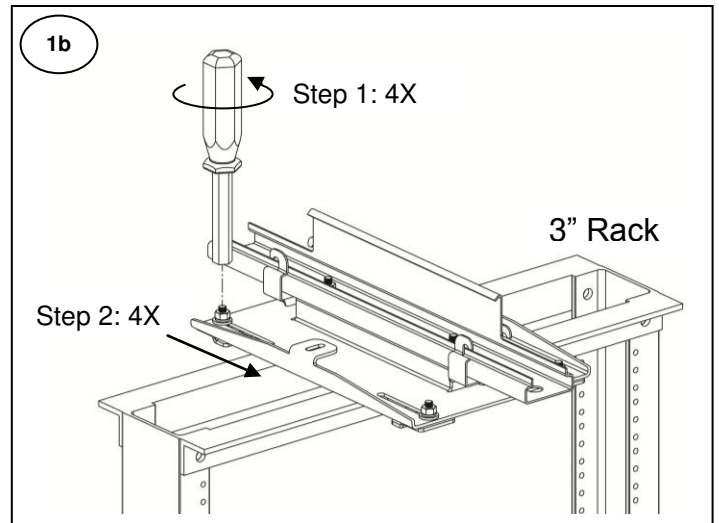
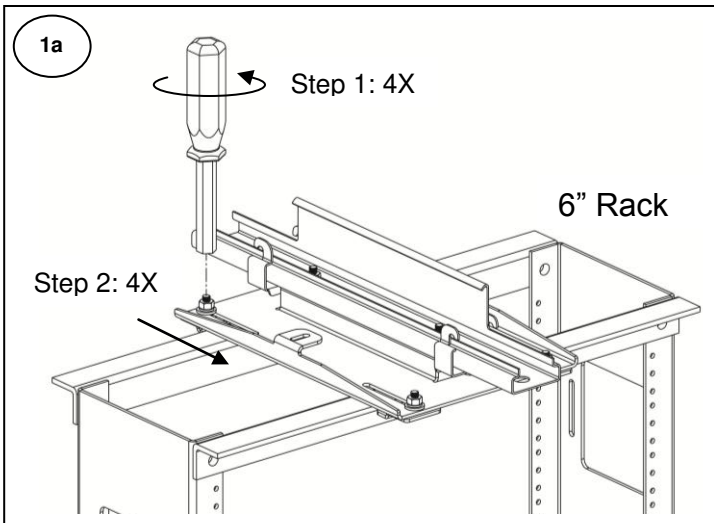
RW299



PANDUIT Catalog Number	Wyr-Grid Pathway
WG2PRB12**	WG12**10
WG2PRB18**	WG18**10
WG2PRB24**	WG24**10

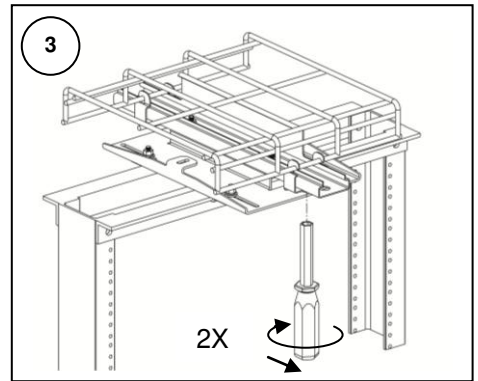
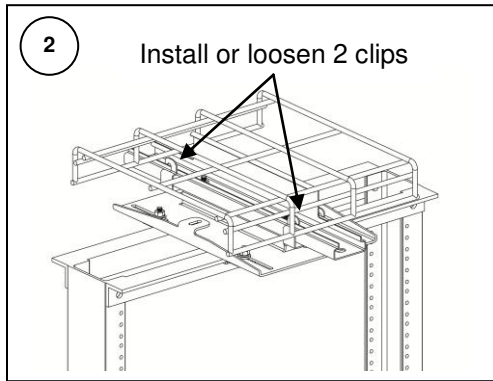
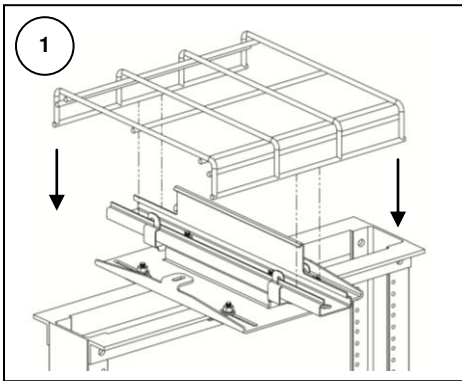
Note: WG2PRB12** packaged with Trapeze Bracket clips removed

Installation of the Wyr-Grid 2-Post Channel Trapeze Rack Mount Bracket to 6" and 3" racks

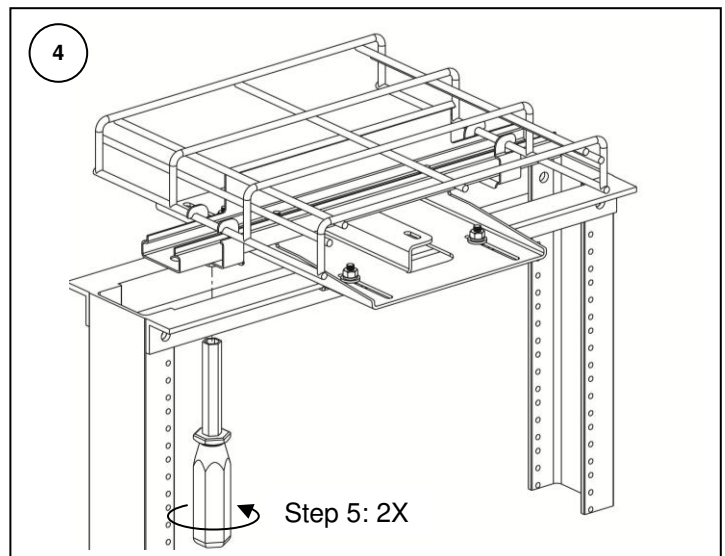
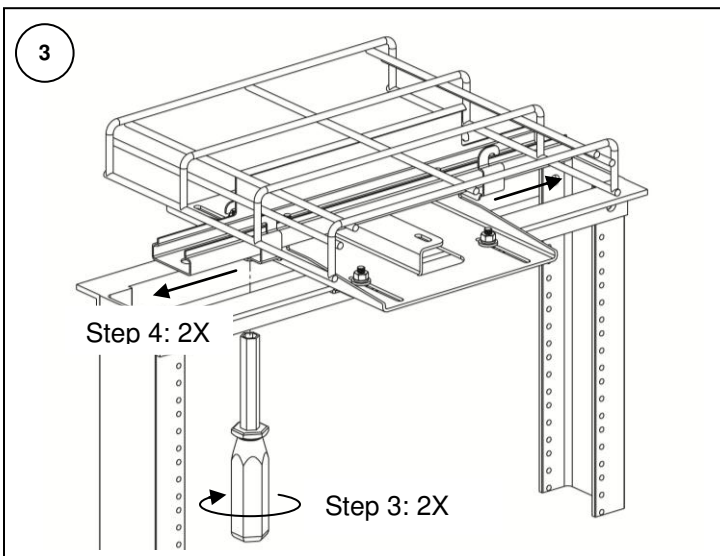
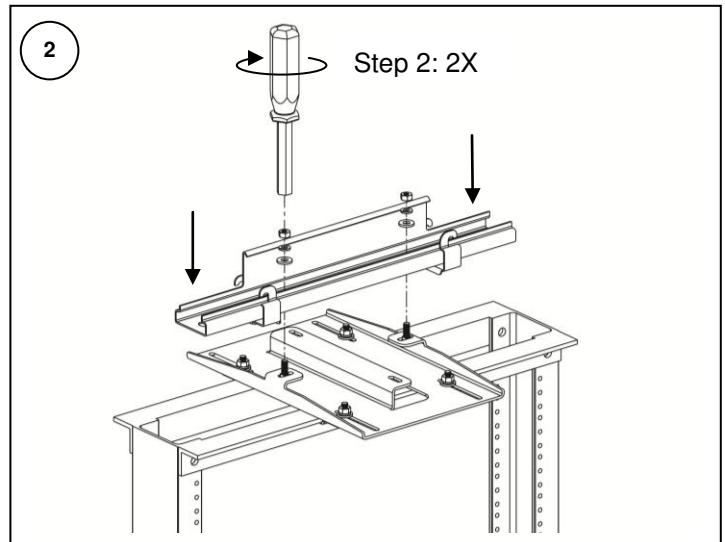
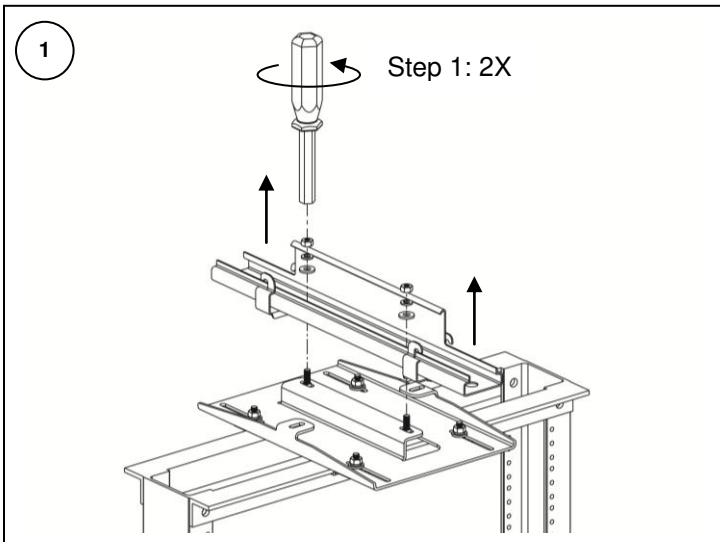


For Technical Support: www.panduit.com/resources/install_maintain.asp

Parallel pathway installation to the Wyr-Grid 2-Post Channel Trapeze Rack Mount Bracket



Perpendicular pathway installation to the Wyr-Grid 2-Post Channel Trapeze Rack Mount Bracket



<p>For Instructions in Local Languages and Technical Support: www.panduit.com/resources/install_maintain.asp</p>	<p>PANDUIT www.panduit.com</p>	<p>E-mail: techsupport@panduit.com Phone: 866-405-6654</p>
--	--	---