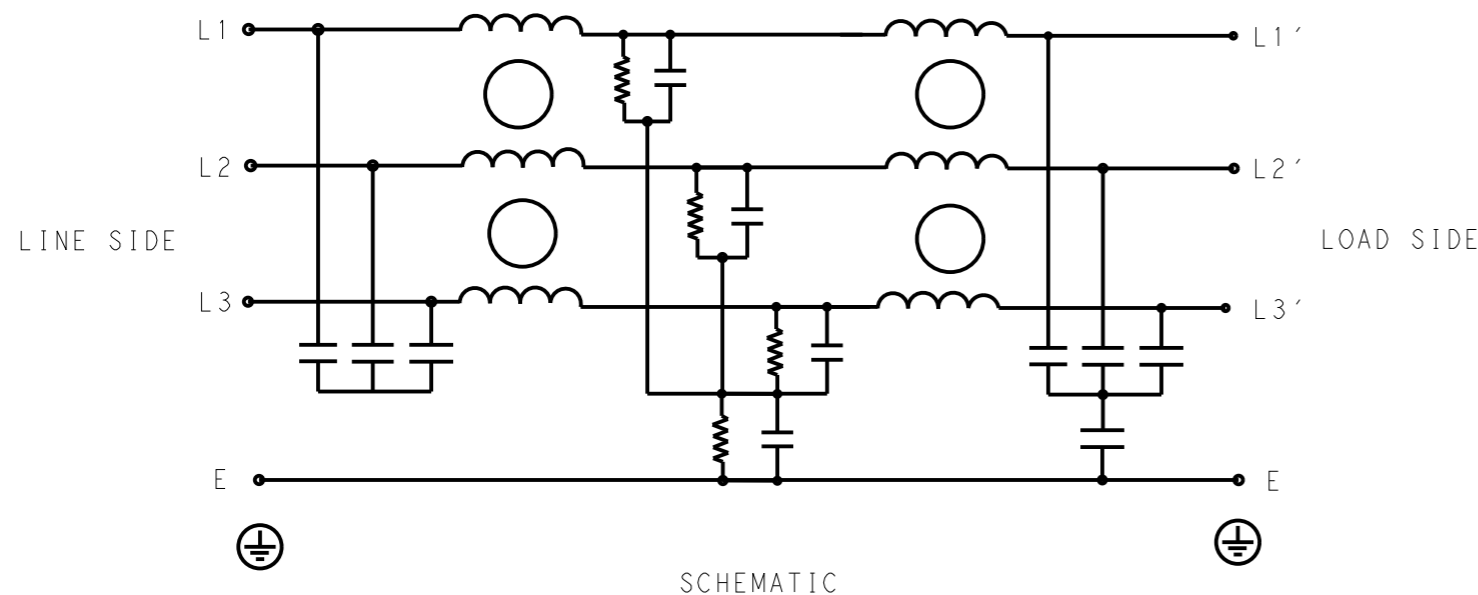


P	LTR	DESCRIPTION	DATE	DWN	APVD
	A	INITIAL RELEASE	23APR2021	SR	CB



SAFETY ORGANIZATIONS  
 THIS FILTER WILL BE FORMALLY RECOGNIZED, CERTIFIED OR APPROVED BY THE LISTED AGENCY. THEREFORE, ALL TEST/REQUIREMENTS SPECIFIED IN THE LATEST REVISION OF THE FOLLOWING AGENCY STANDARDS WILL BE MET:

UL APPROVED 16A 440V 50Hz/60Hz 40°C  
 CSA APPROVED 16A 440V 50Hz/60Hz 40°C

OPERATING SPECIFICATION  
 LINE CURRENT/VOLTAGE: 16A, 440VAC  
 LINE FREQUENCY: 50/60Hz

MAXIMUM LEAKAGE CURRENT: 10mA @ 230VAC, 50Hz  
 OPERATING AMBIENT TEMPERATURE RANGE @ RATED CURRENT: -25°C TO +40°C  
 IN AN AMBIENT, T<sub>a</sub>, HIGHER THAN 40°C, THE MAXIMUM OPERATING CURRENT, I<sub>o</sub>, IS AS FOLLOWS:

$$I_o = I_r \sqrt{\frac{85 - T_a}{45}}$$

RELIABILITY SPECIFICATIONS  
 STORAGE TEMPERATURE: -40°C TO +85°C  
 HUMIDITY: 21 DAYS @ 40°C AND 95% RH

TEST SPECIFICATIONS  
 INDUCTANCE, NOMINAL: 8mH

CAPACITANCE @ 1kHz  
 LINE TO GROUND, NOMINAL: 0.66µF  
 LINE TO LINE, NOMINAL: 1.5µF

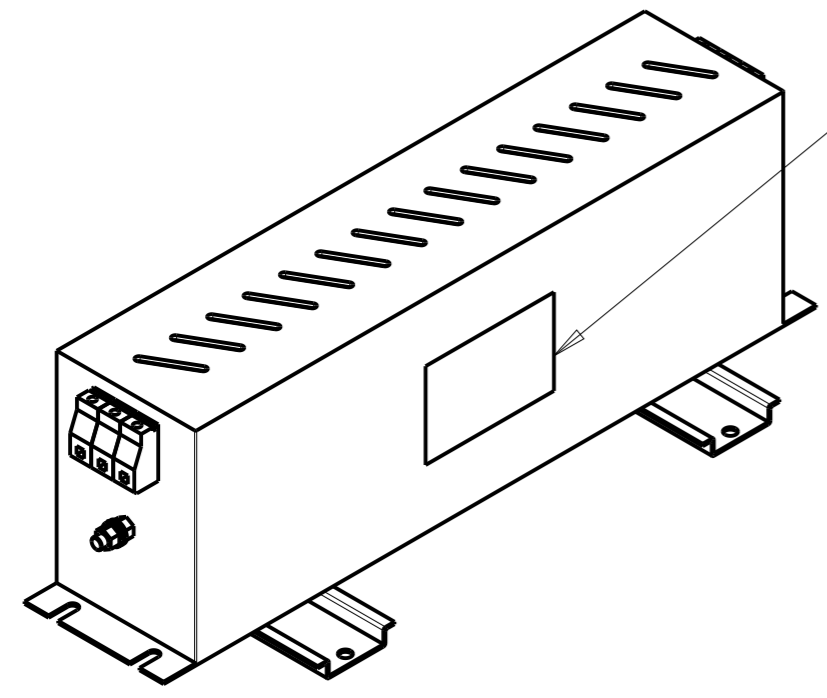
DISCHARGE RESISTOR  
 L/L I.R. 3MΩ 1W  
 L/N I.R. XXX  
 L/G I.R. 680KΩ 1W  
 N/G I.R. XXX  
 IR (NO DISCHARGE RESISTOR) 20°C, 50% RH AND 100VDC, MIN: 6MΩ

RECOMMENDED RECEIVING INSPECITON HIPOT  
 LINE TO GROUND FOR 1 MINUTE: 2632VDC  
 LINE TO LINE FOR 1 MINUTE: 1892VDC

FILTER APPROVAL  
 THE BEST WAY TO SELECT AND QUALIFY A FILTER IS FOR YOUR ENGINEERING TO TEST THE UNIT IN YOUR EQUIPMENT.

TYPICAL INSERTION LOSS  
 COMMON MODE 50/50Ω; DIFFERENTIAL MODE 50/50Ω

MHz	0.01	0.05	0.15	0.5	1	3	5	10	30
CM	73	70	76	81	78	70	52	48	19
DM	30	45	33	47	49	65	50	22	65



LABEL TO TE MARKING SPECIFICATION

THIS DRAWING IS A CONTROLLED DOCUMENT.		DWN SUPREETH R 23APR2021		
DIMENSIONS: mm		CHK CHRIS BOLLE 23APR2021		
TOLERANCES UNLESS OTHERWISE SPECIFIED:		APVD CHRIS BOLLE 23APR2021	NAME POWER LINE FILTER FOR DIN RAIL 35 INSTALLATION 16KEHD10ABSDVM	
0 PLC ±-		PRODUCT SPEC -	SIZE A300779 CAGE CODE C-3-1609969-4	
1 PLC ±0.5		APPLICATION SPEC -	RESTRICTED TO -	
2 PLC ±0.40		WEIGHT -	SCALE 2:5 SHEET 1 OF 2 REV A	
3 PLC ±0.130		CUSTOMER DRAWING		
4 PLC ±0.0500				
ANGLES ±-				
MATERIAL -				
FINISH -				

© 2021 TE Connectivity. All Rights Reserved.

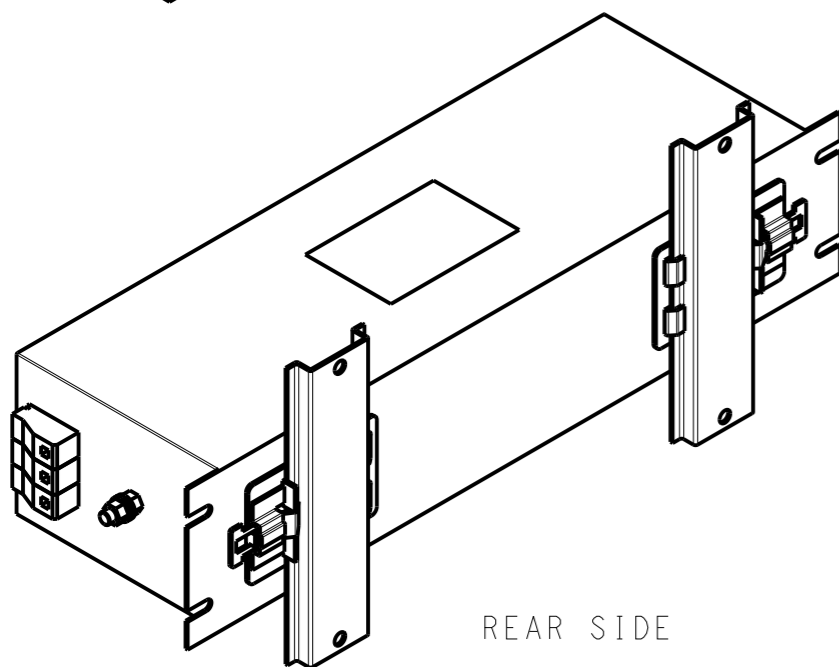
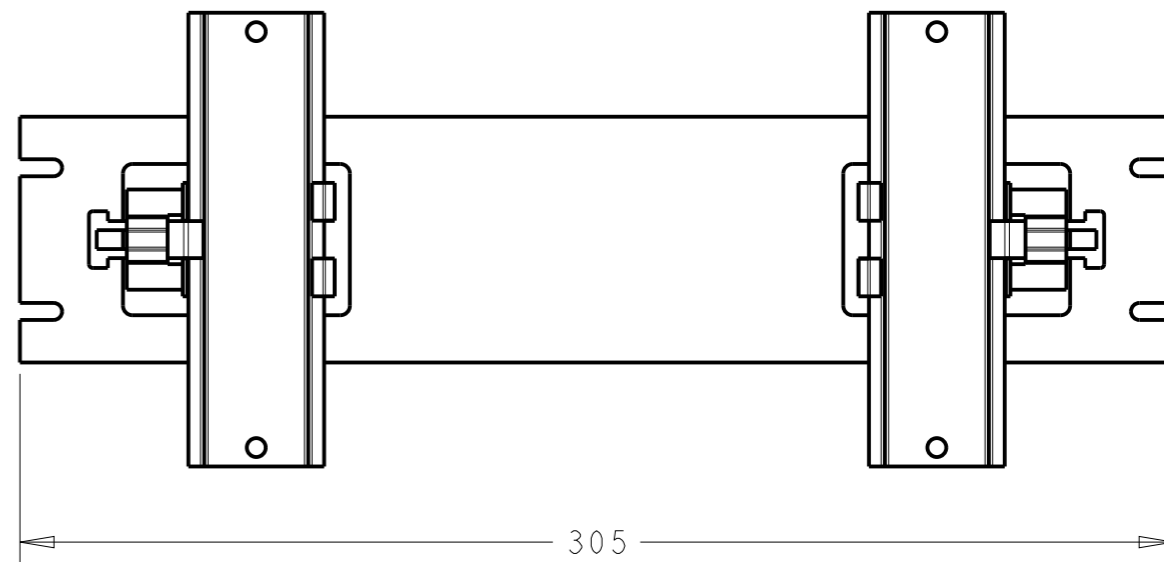
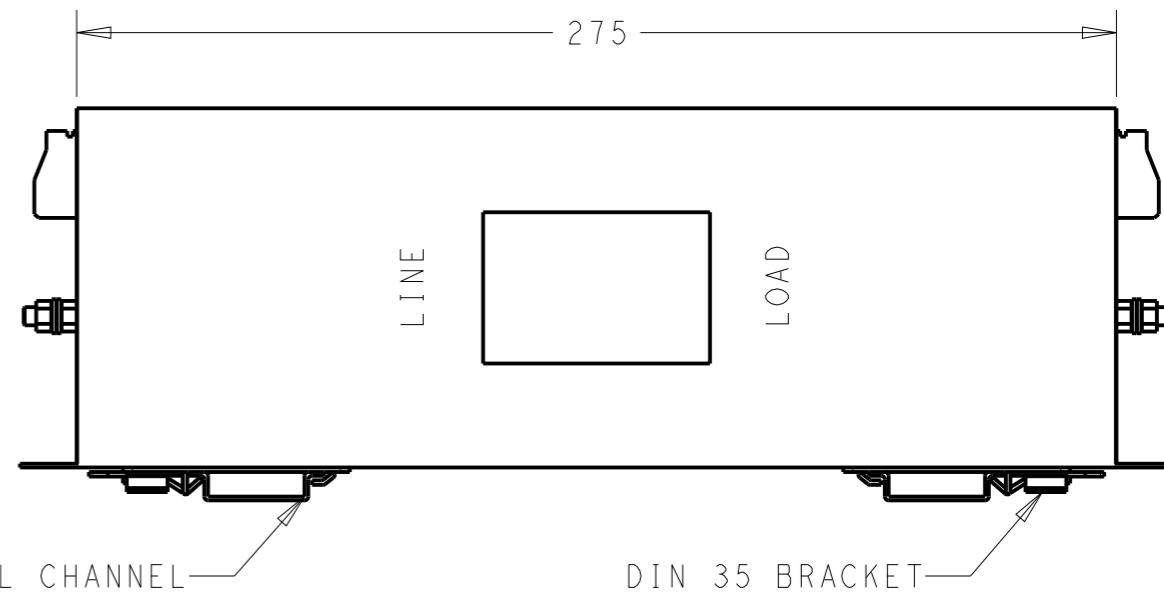
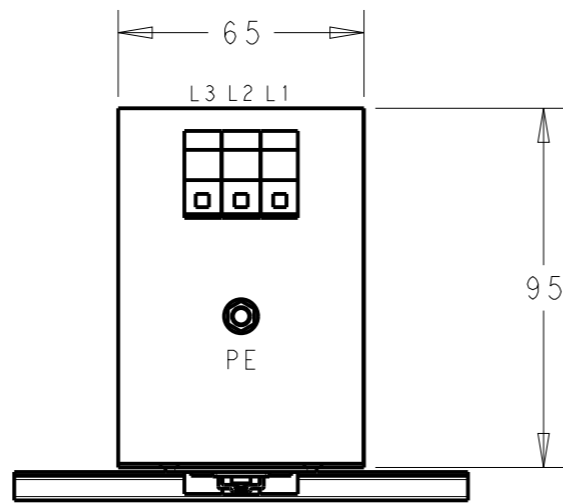
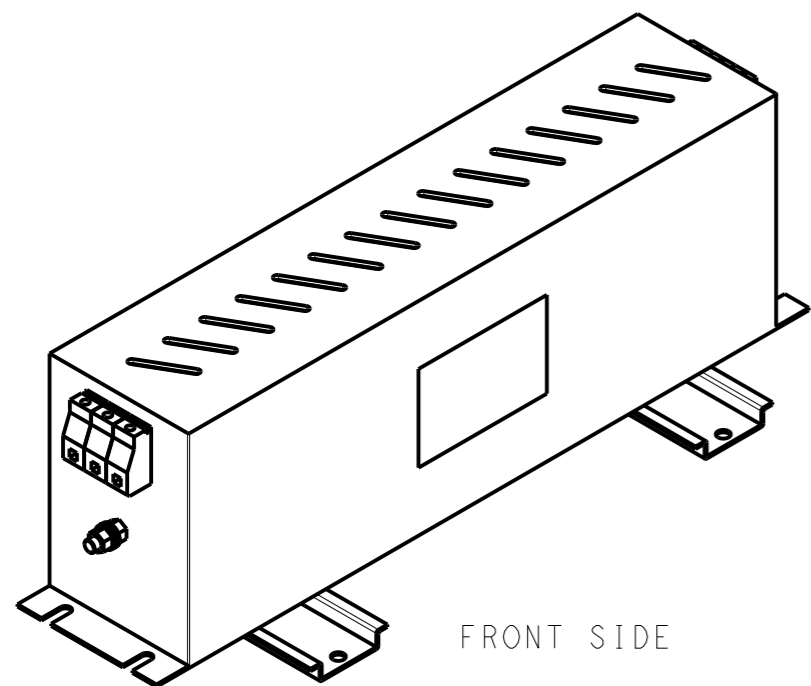
NOTE 1 GROUND CONNECTION:  
 FOR ELECTRICAL SAFETY AND FILTER PERFORMANCE  
 UNIT MUST HAVE A GOOD GROUND CONNECTION.  
 TORQUE OUTER TERMINAL SCREWS: 0.5Nm / 4.5 in.lbs  
 TORQUE GROUND NUTS: 2Nm

NOTE 2 INPUT OUTPUT CONNECTION TERMINAL  
 AWG SIZE: 26-12 AWG  
 WIRE SECTION: 4mm<sup>2</sup>  
 THREADED BOLT SIZE FOR GROUND: M5

NOTE 3 SUPPLIED WITH DIN RAIL BRACKET.

NOTE 4 DRAWING SHOWS DIN RAIL FOR REFERENCE ONLY.

REVISIONS					
P	LTR	DESCRIPTION	DATE	DWN	APVD
		SEE SHEET 1			



THIS DRAWING IS A CONTROLLED DOCUMENT.		DWN SUPREETH R 23APR2021		
		CHK CHRIS BOLLE 23APR2021		
		APVD CHRIS BOLLE 23APR2021	NAME POWER LINE FILTER FOR DIN RAIL 35 INSTALLATION 16KEHD10ABSDVM	
DIMENSIONS: mm		PRODUCT SPEC -	SIZE A300779 CAGE CODE C-3-1609969-4	
TOLERANCES UNLESS OTHERWISE SPECIFIED:		APPLICATION SPEC -	DRAWING NO C-3-1609969-4	
0 PLC ±0.5		WEIGHT -	RESTRICTED TO -	
1 PLC ±0.40				
2 PLC ±0.130				
3 PLC ±0.0500				
4 PLC ANGLES ±				
MATERIAL -	FINISH -	SCALE 1:2		SHEET 2 OF 2
CUSTOMER DRAWING		REV A		