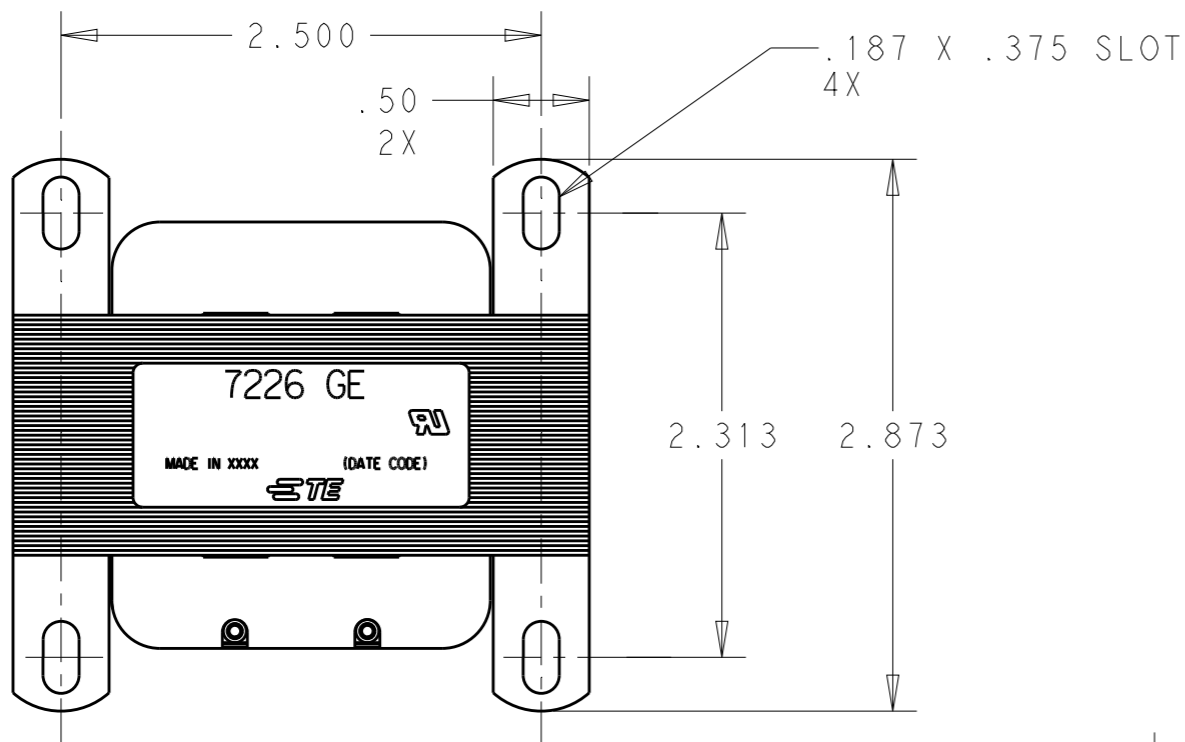
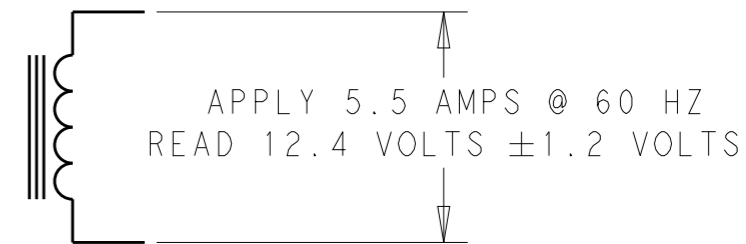


THIS DRAWING IS UNPUBLISHED. RELEASED FOR PUBLICATION 20
© COPYRIGHT 20 BY - ALL RIGHTS RESERVED.

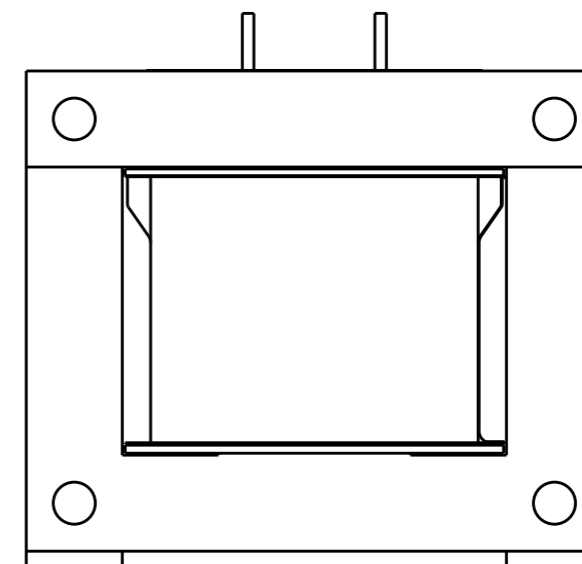
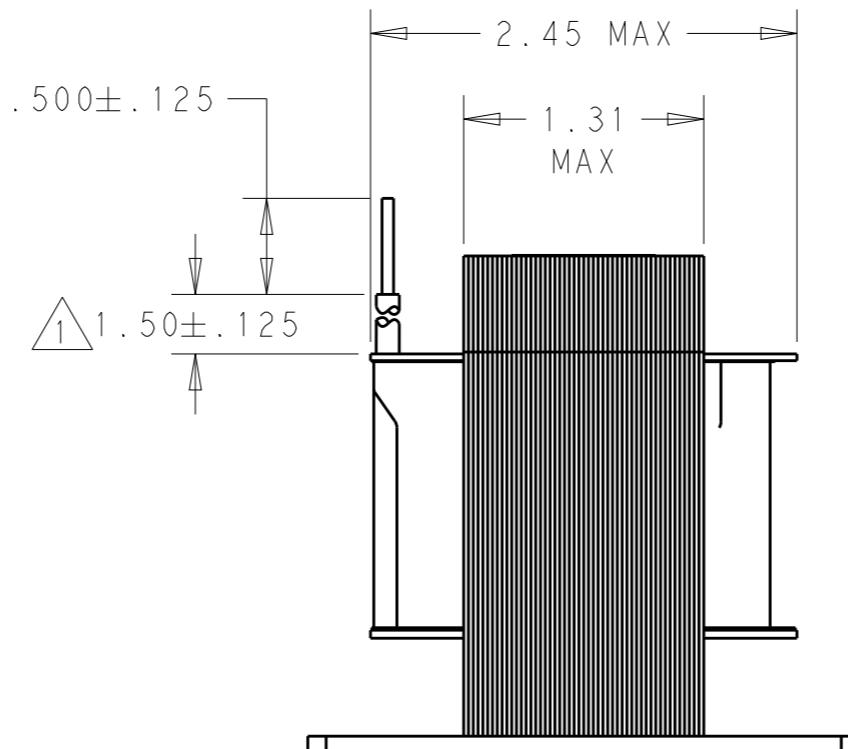
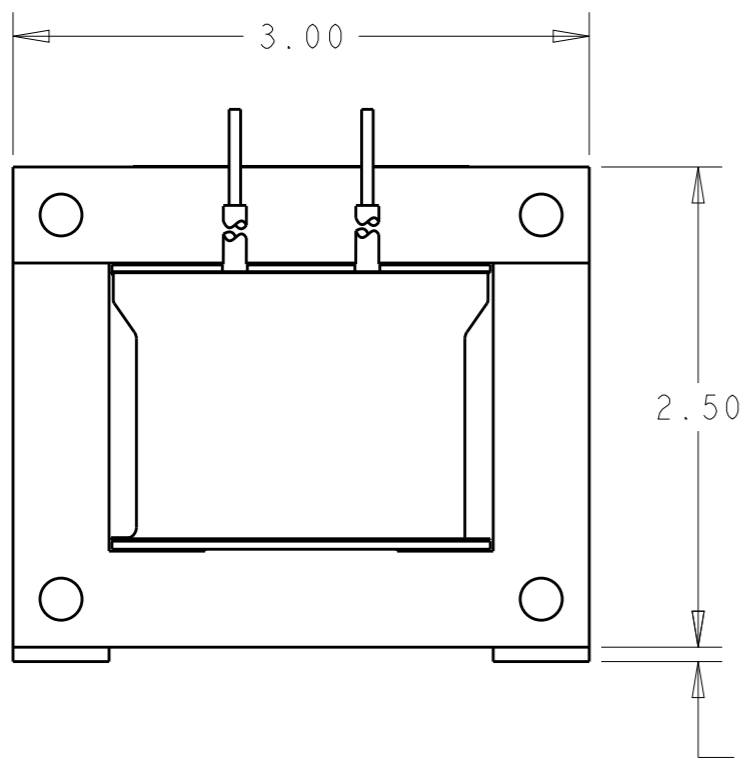
REVISIONS				
P	LTR	DESCRIPTION	DATE	APVD
D		ECR-17-011882	18AUG2017	VS DB



1 SLEEVING PVC HT-105, BLACK OR CLEAR.
2. CERTIFICATION: UL FILE NO. E102980



SCHEMATIC



2-1611476-8
TE PART NO.

THIS DRAWING IS A CONTROLLED DOCUMENT.		DWN VIC SLACK 09DEC2013	TE Connectivity													
DIMENSIONS: INCHES		CHK D. BLOESCH 09DEC2013														
TOLERANCES UNLESS OTHERWISE SPECIFIED:		APVD D. BLOESCH 09DEC2013	NAME TRANSFORMER OUTLINE													
<table border="0"> <tr><td>0 PLC</td><td>±-</td></tr> <tr><td>1 PLC</td><td>±.1</td></tr> <tr><td>2 PLC</td><td>±.03</td></tr> <tr><td>3 PLC</td><td>±.015</td></tr> <tr><td>4 PLC</td><td>±-</td></tr> <tr><td>ANGLES</td><td>±-</td></tr> </table>		0 PLC	±-	1 PLC	±.1	2 PLC	±.03	3 PLC	±.015	4 PLC	±-	ANGLES	±-	PRODUCT SPEC -	RESTRICTED TO -	
0 PLC	±-															
1 PLC	±.1															
2 PLC	±.03															
3 PLC	±.015															
4 PLC	±-															
ANGLES	±-															
MATERIAL -		APPLICATION SPEC -	SIZE A3	CAGE CODE 00779	DRAWING NO G-7226GE											
FINISH -		WEIGHT -	Customer Drawing		SCALE 1:1											
		SHEET 1 OF 1		REV D												