

PRODUCT NUMBER
77313-YYX-XXLF

PLATING SEE SHEET 2
PIN STYLE SEE SHEET 2

RoHS COMPATIBLE
SEE NOTE 7
TOTAL NB OF POSITIONS 04 TO 72
OPTION LETTERS : NOTE 8

PRODUCT NUMBER (BERGSTRIK PACKAGING)
77313-YYX-00LF

PLATING
1= 0.76µm GOLD/GXT ON CONTACT
AREA, 2µm TIN MIN ON TAILS

INDICATES THE PRODUCT IS RoHS
COMPATIBLE, SEE NOTE 6
POSITIONS PER REEL : 00=45,000 (BERGSTRIK)

8= 0.38µm GOLD/GXT ON CONTACT
AREA, 2µm TIN MIN ON TAILS
4= 2.0µm TIN MIN FULL PLATED
1.27µm NICKEL MIN UNDERLAYER FOR
ALL PLATING VERSIONS

PIN STYLE	MATING	SOLDER	OAL
01	5.84	2.41	10.8
02	5.84	3.42	11.8
18	5.84	3.05	11.43
22	7.75	3.05	13.35
24	6.75	2.9	12.2
27	6.6	2.66	11.8

NOTES:

- HOUSING MAT'L : HIGH TEMPERATURE THERMOPLASTIC. UL94V-0 COLOR: BLACK
- PIN MATERIAL : PHOSPHOR BRONZE
- BERGSTIK PRODUCT PACKAGED IN POLY BAGS. BERGSTRIK PRODUCT PACKAGED PER REELS.
- 9N MIN RETENTION IN EITHER DIRECTION
- TO DETERMINE DIMENSIONS :
N = NUMBER OF POSITIONS PER ROW
EXAMPLE : 8 POS N x 2.54 = 20.32mm
- FOR PIN IN PASTE SOLDERING APPLICATION :
FINISHED PLATED HOLE Ø1.02-Ø1.06
LAND Ø1.45 MAX
- RoHS COMPATIBLE PRODUCT SPECIFICATIONS

a - PLATING:

- "LF" MEANS THE PRODUCT IS LEAD-FREE, 2µm MINIMUM MATTE TIN OVER 1.27µm MINIMUM NICKEL UNDERPLATE

b - MANUFACTURING PROCESS COMPATIBILITY

- THE HOUSING WILL WITHSTAND EXPOSURE TO 260°C ±5°C SOLDER BATH TEMPERATURE FOR 5 SECONDS IN A WAVE SOLDER APPLICATION WITH A 1.6mm MIN THICK CIRCUIT BOARD
- REFLOW COMPATIBLE

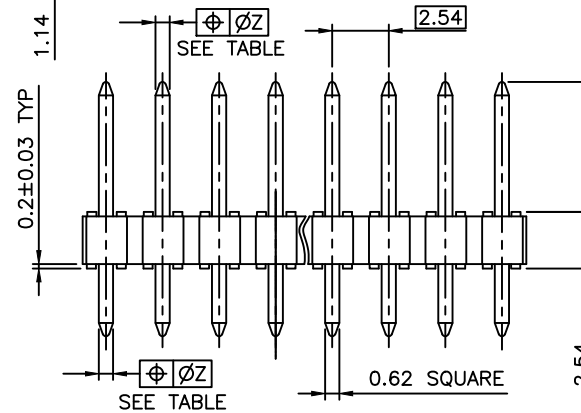
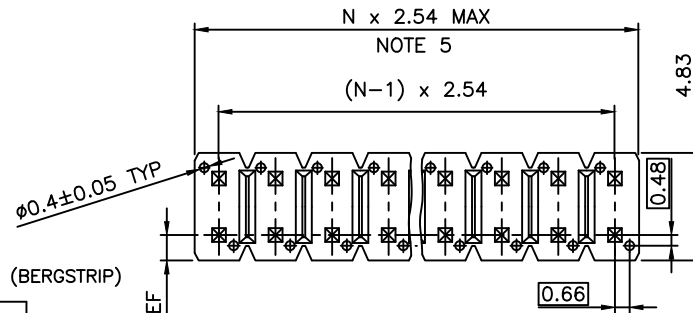
c - LABELING:

- MEETS PACKAGING SPECS AS PER GS-14-920

d - LEGAL STATEMENT: SEE GS-47-0004

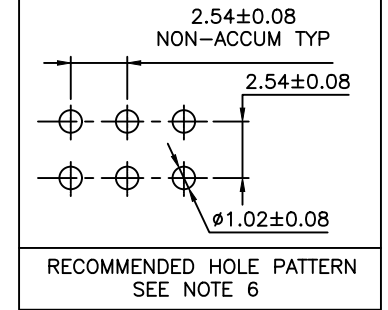
8. OPTIONS :

- = POLYBAG PACK
- "A" = TAPE & REEL WITH CAP, AS AVAILABLE
- "T" = STANDARD TUBE PACKAGING - ONLY AVAILABLE UPON REQUEST
- "V" = BLIBOX PACK FOR CUSTOMER DEDICATED PART
- "AV" = TAPE & REEL WITH CAP FOR CUSTOMER DEDICATED PART
- "KV" = TAPE & REEL WITHOUT CAP FOR CUSTOMER DEDICATED PART
- "TV" = TUBE WITHOUT CAP FOR CUSTOMER DEDICATED PART
- "R" = RETENTION FEATURE PAGE 2
IF RETENTION FEATURE "R" AND TUBE PACKAGING "T" ARE BOTH REQUIRED
OPTIONAL LETTER "R" WILL APPEAR INSTEAD OF THE FIRST DASH
EXAMPLE : 77313R118T40LF
- "KR" = T&R WITHOUT CAP WITH RETENTION FEATURE

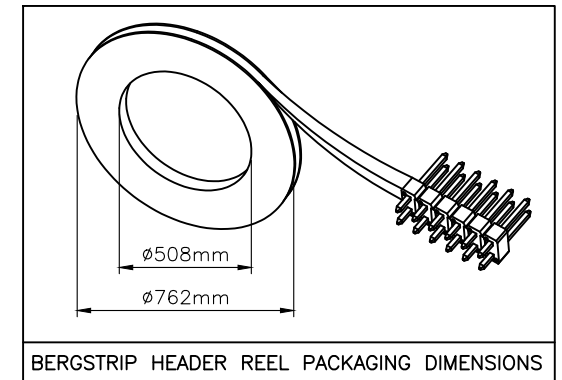
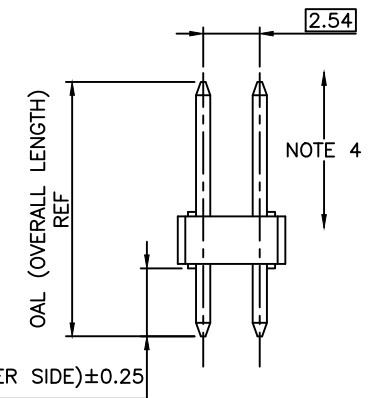


TOLERANCE "Z" DEPEND UPON
PIN MATING AND SOLDER LENGTHS

MATING/SOLDER LENGTH	ØZ	MATING/SOLDER LENGTH	ØZ
UP TO 10mm	Ø0.4	UP TO 14mm	Ø0.45
UP TO 18mm	Ø0.5	UP TO 22mm	Ø0.55
UP TO 26mm	Ø0.6	OVER 26mm	Ø0.65



RECOMMENDED HOLE PATTERN
SEE NOTE 6



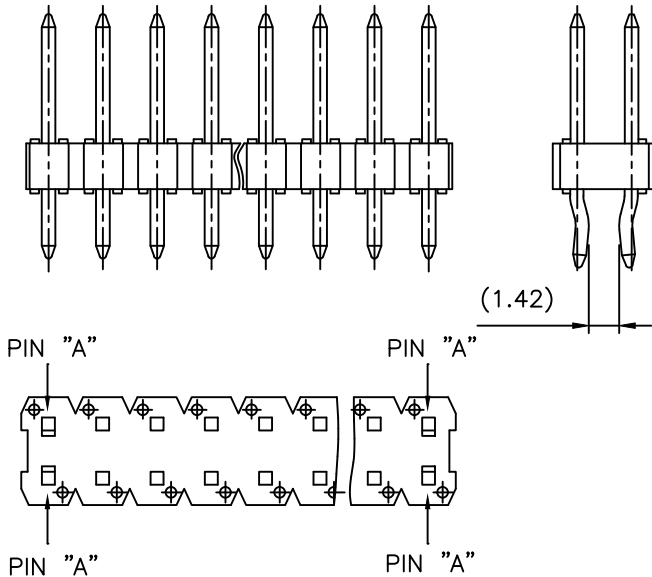
BERGSTRIK HEADER REEL PACKAGING DIMENSIONS

mat'l. code SEE NOTES		surface ISO 1302 ✓	tolerance ISO 406 ISO 1101	projection mm	product family BERGSTIK
ltr	ecn no	dr	date	title UNSHR.HEADER STR DR TMT	
CG	F-33925	LMU	19.06.14	dwg no	
CH	F-40035	DDE	21.02.17	sheet 1 of 3	
CJ	F-45578	DDE	22.08.05	size A3	
CK	F-47089	DDE	23.01.23	type CUSTOMER Drawing	
CL	F-47115	DDE	23.01.25	77313	
CM	F-48329	DDE	23.05.23	Drawing	
sheet index		revision sheet	CM BM H	FCJ	
		1 2 3			

PLATING

- 1 = 0.76µm GOLD/GXT ON CONTACT AREA, 2µm TIN MIN ON TAIL
- 4 = 2µm TIN MIN FULL PLATED
- 5 = 0.25µm GOLD/GXT ON CONTACT AREA, 2µm TIN MIN ON TAIL ONLY AVAILABLE UPON REQUEST
- 8 = 0.38µm GOLD/GXT ON CONTACT AREA, 2µm TIN MIN ON TAIL
- G = 0.76µm FULL GXT
- S = 0.38µm FULL GXT
- T = 2µm TIN MIN FULL PLATED INCLUDED PIN TYP
 - 1.27µm NICKEL MIN UNDERLAYER FOR ALL PLATING VERSIONS

RETENTION OPTION



PRODUCTS SPECIFICATIONS			
PIN STYLE	MATING	SOLDER	OAL
01	5.84	2.41	10.8
02	5.84	3.42	11.8
03	5.72	5.09	13.35
04	5.72	7.64	15.90
05	5.72	10.14	18.40
15	8.51	2.55	13.6
18	5.84	3.05	11.43
19	12.83	3.03	18.4
20	15.37	3.04	20.95
22	7.75	3.05	13.35
24	6.75	2.9	12.2
27	6.6	2.65	11.8
29	17.46	3.50	23.5
38	5.84	3.82	12.20
46	8.08	2.98	13.6
52	9.5	3.05	15.09
57	8.46	3.05	14.05
58	14.47	3.05	20.06
83	20.46	3.0	26.0
85	10.5	2.9	15.9
87	6.98	3.05	12.57

PRODUCTS SPECIFICATIONS			
PIN STYLE	MATING	SOLDER	OAL
89	6.93	5.00	14.47
90	6.75	4.05	13.34
91	5.60	10.21	18.4
92	5.65	12.76	20.95
93	6.00	4.81	13.35
94	9.65	2.90	15.09
95	8.90	3.60	15.09
96	20.83	3.05	26.42
97	14.70	3.70	20.95
98	6.00	6.00	14.47
99	8.05	2.25	12.8
AA	11.90	3.30	17.70
AB	7.00	1.50	11.00
AC	N/A		
AD	8.51	10.59	21.64
AE	3.30	3.30	9.14
AF	N/A		
AG	4.79	3.00	10.33
AH	2.67	3.43	8.64
AJ	8.00	8.00	18.54
AK	7.00	7.00	16.54
AL	5.90	1.60	10.05
AM	12.06	2.60	17.20
AN	11.50	1.90	15.94
AP	14.00	2.20	18.70
AR	8.96	2.10	13.60
AS	8.08	2.72	13.37

NOTES:

- PART NUMBER 77313-YXXRXXLF
- 4 PINS "A" USED FOR RETENTION DIRECTION OF RETENTION SHOWN BY ARROWS PIN "A" AT EACH END OF HEADER.
- FOR RETENTION OPTION , SOLDER TAIL LENGTH TO BE 2.9 MIN UP TO 3.5 MAX.

mat'l. code		surface ISO 1302 <input checked="" type="checkbox"/>		tolerance ISO 406 ISO 1101		projection		product family BERGSTIK	
ltr		ecn no		dr		date		title	
BM		F-47089		DDE		23.01.23		UNSHR.HEADER STR DR TMT	
BG		B-20321		AMA		15.01.26		dwg no 77313 sheet 2 of - size A3	
BH		B-20596		AMA		15.03.30		type CUSTOMER Drawing	
BJ		F-21455		AMA		15.07.20			
BK		F-22605		BVE		15.11.24			
BL		F-45578		DDE		22.08.05			
sheet index		revision sheet							

PRODUCTS SPECIFICATIONS

PIN STYLE	MATING	SOLDER	OAL
AT	5.84	7.20	15.57
AU	10.95	3.05	16.55
AV	8.08	4.32	14.96
AW	8.08	3.81	14.43
AX	6.40	3.09	12.05
AY	5.08	2.79	10.40
BA	8.97	2.79	14.05
BB	6.48	3.05	12.05
BC	11.85	4.04	18.40
BD	26.00	3.05	31.55
BE	9.08	1.90	13.52
BF	9.90	2.65	15.09
BG	9.50	3.25	15.29
BH	5.72	16.14	24.40
BJ	4.00	2.69	9.23
BK	10.50	3.20	16.24
BL	18.29	3.05	23.88
BM	10.00	2.54	14.84
BN	13.21	3.00	18.75
BP	28.00	4.00	34.50
BR	16.60	2.90	22.04
BS	6.75	6.75	16.00
BT	15.76	3.50	21.80
BU	20.76	3.50	26.80
BV	16.50	3.05	22.09

A

B

C

D

A

B

C

D



Copyright FCI

mat'l. code				surface ISO 1302 <input checked="" type="checkbox"/> ISO 406 <input type="checkbox"/> ISO 1101 <input type="checkbox"/>		tolerance tolerances unless otherwise specified		projection 		product family BERGSTIK		
ltr	ecn no	dr	date	tolerances unless otherwise specified		angles		mm		title UNSHR.HEADER STR DR TMT		
H	F-48329	DDE	23.05.23			linear		mm				
C	B-26200	JCA	17.02.27					scale N/A				
D	F-33925	LMU	19.06.14	dr	D.LE	01.01.24				dwg no		
E	F-40035	DDE	21.02.17	enfr	JM.C	01.01.24				sheet 3 of -		size
F	F-45578	DDE	22.08.05	chr	JM.C	01.01.24				77313		A3
G	F-47089	DDE	23.01.23	appd	JF.N	01.01.24				type		Drawing
sheet index		revision sheet										