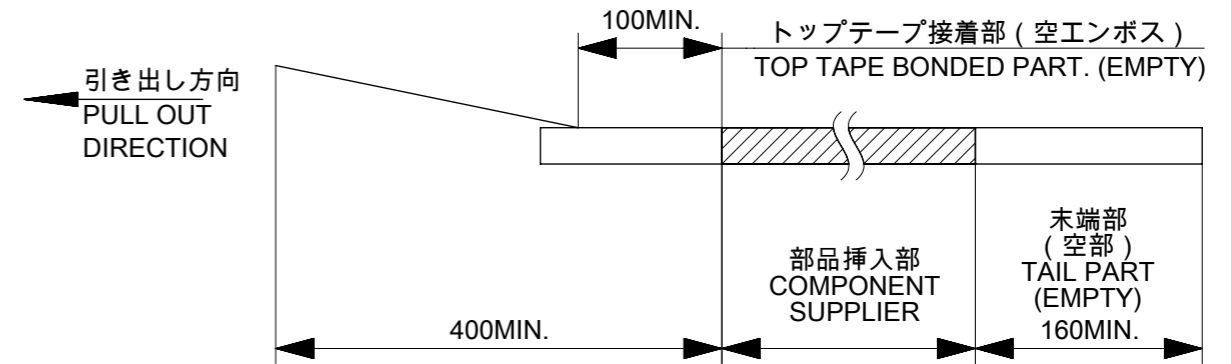


DETAIL C

注記 NOTES

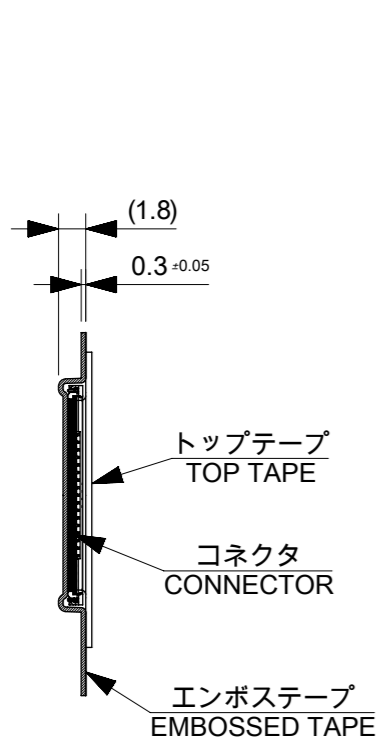
- 製品詳細寸法については図面 5020781000 (DOC. PART NO. : 000) を参照下さい。  
RE DETAILED DIMENSION, SEE 5020781000 (DOC. PART NO. : 000)
- 梱包数量 : 3000 個 / リール  
NUMBER OF CONNECTORS : 3000 PCS/REEL
- リードテープ長さ LEAD TAPE LENGTH



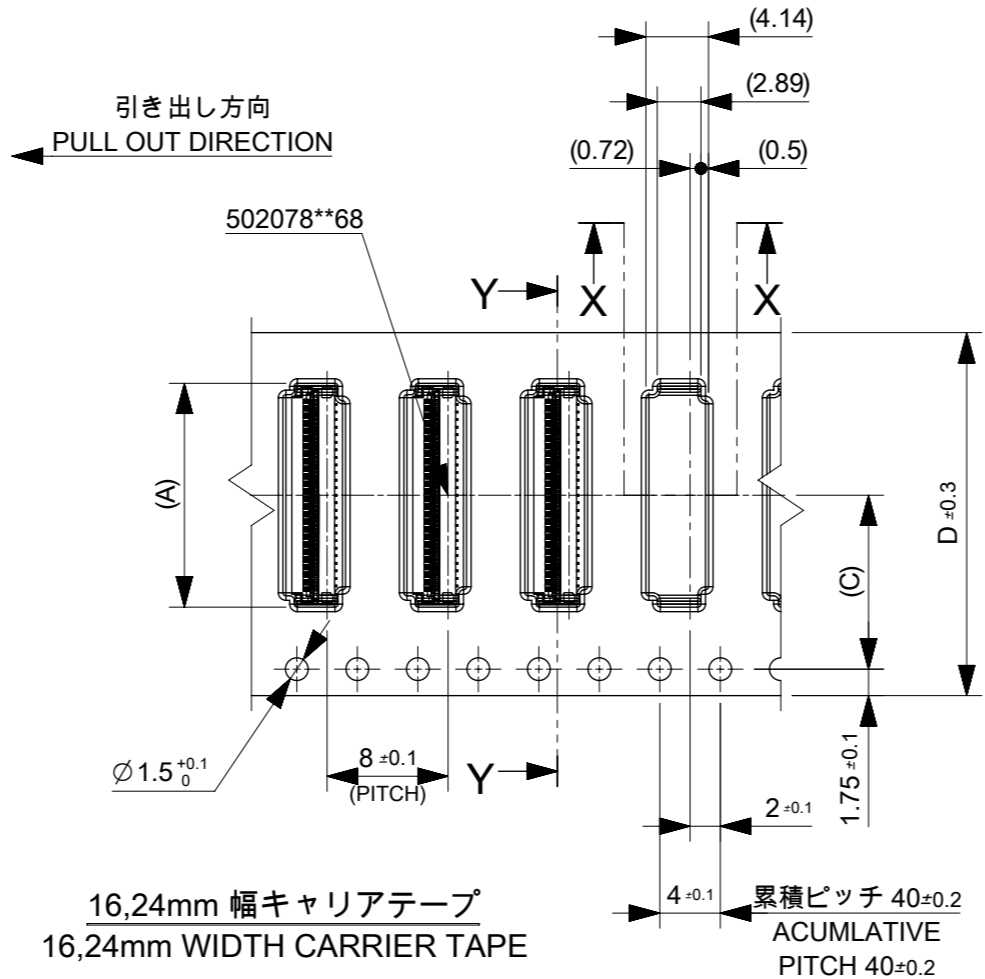
- 材料 MATERIAL  
 キャリアテープ (CARRIER TAPE) : ポリスチレン (POLYSTYRENE)  
 トップテープ (TOP TAPE) : PET, PE, PEF  
 リール (REEL) : ポリスチレン (PS) <リサイクル材を含む>  
 POLYSTYRENE (PS) <RECYCLE MATERIAL CONTAINED>
- カバーテープの剥離強度については、IEC60286-3 に準拠  
COVER TAPE PEEL FORCE IS DEFINED BY IEC 60286-3.

CONNECTOR SERIES NO. 502078\*\*68

THIS DRAWING CONTAINS INFORMATION THAT IS PROPRIETARY TO MOLEX ELECTRONIC TECHNOLOGIES, LLC AND SHOULD NOT BE USED WITHOUT WRITTEN PERMISSION									
REVISED	EC NO. 112948	2016/08/09	GENERAL TOLERANCES (UNLESS SPECIFIED)		DIMENSION UNITS	SCALE	<b>molex®</b>		
	DRWN: MTAKAHASHI04	2017/02/06	ANGULAR TOL ± °		MM	1:1			
	CHK'D: YKOBAYASHI02	2017/02/07	4 PLACES ±	ABABU01	DATE	2016/02/22	0.25MM PITCH FPC CONN HGT =1.0 HSG ASSY EMBOSSED TAPE PACKAGE		
	APPR: TKUSUHARA01		3 PLACES ±	CHK'D BY	DATE	2016/05/23			
			2 PLACES ±	APPR BY	DATE	2016/05/24	PRODUCT CUSTOMER DRAWING		
		1 PLACE ±	DRAWING SIZE	THIRD ANGLE PROJECTION	502078	SEE CHART	GENERAL		
		0 PLACES ±	A3		5020780000	SEE CHART	GENERAL		
		DRAFT WHERE APPLICABLE MUST REMAIN WITHIN DIMENSIONS			DOCUMENT NUMBER	DOC TYPE	DOC PART	SHEET NUMBER	
					5020780000	PSD	000	1 OF 3	

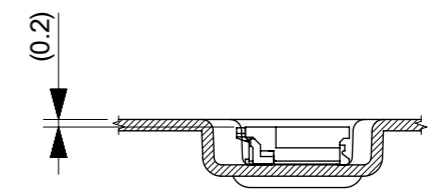


SECTION Y-Y



16,24mm 幅キャリアテープ  
16,24mm WIDTH CARRIER TAPE

累積ピッチ 40±0.2  
ACUMLATIVE PITCH 40±0.2

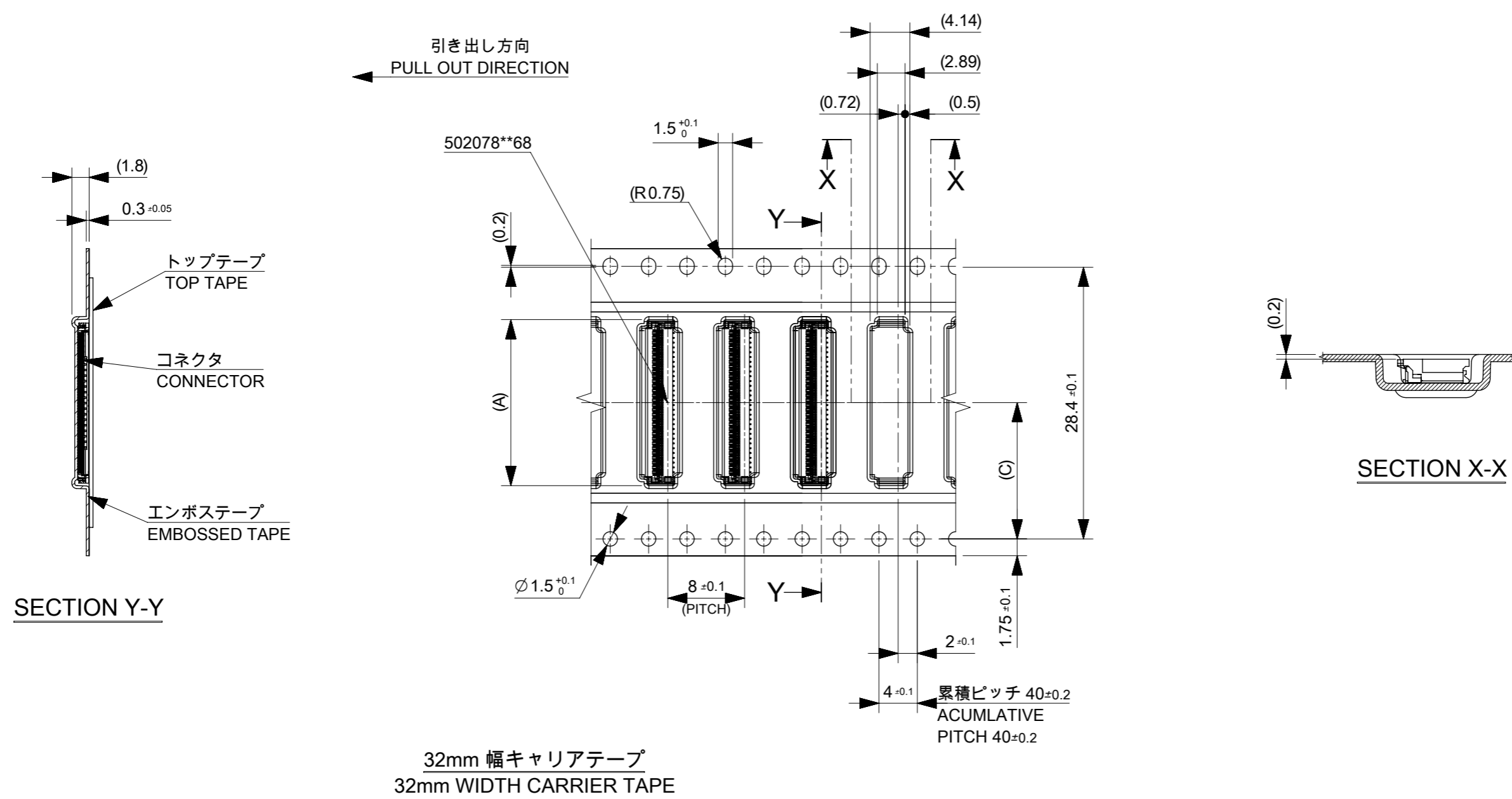


SECTION X-X

24	11.5	25.4	15.3	5020785360	53
			14.8	5020785160	51
			13.3	5020784560	45
			11.8	5020783960	39
			11.3	5020783760	37
			10.3	5020783360	33
			8.3	5020782560	25
16	7.5	17.4	7.3	5020782160	21
			6.3	5020781760	17
D キャリアテープ幅 CARRIER TAPE WIDTH	C	B	5.3	5020781360	13
			(A)	オーダー番号 ORDER NO.	極数 CIRCUITS
			CONNECTOR SERIES NO.		502078**68

THIS DRAWING CONTAINS INFORMATION THAT IS PROPRIETARY TO MOLEX ELECTRONIC TECHNOLOGIES, LLC AND SHOULD NOT BE USED WITHOUT WRITTEN PERMISSION

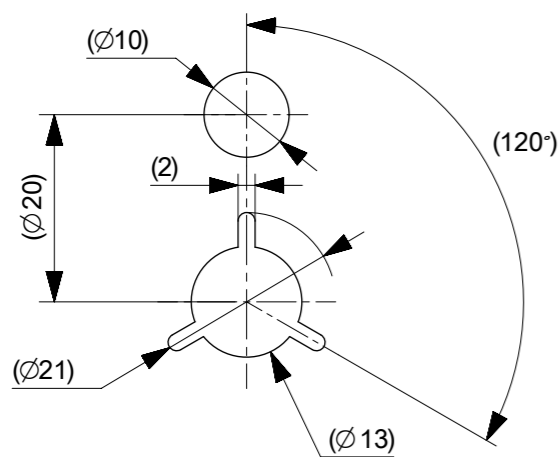
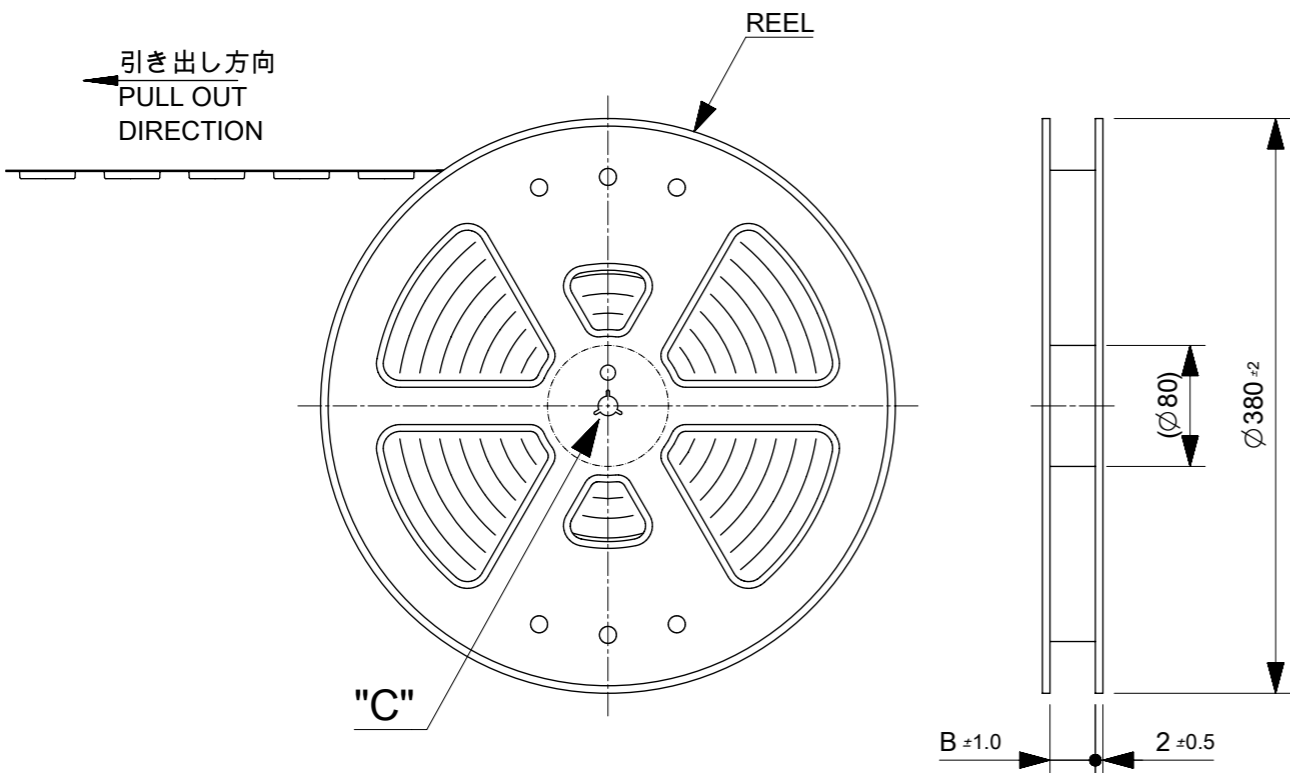
EC NO: 112948 DRWN: MTAKAHASHI04 CHK'D: YKOBAYASHI02 APPR: TKUSUHARA01	2016/08/09	2017/02/06	2017/02/07	GENERAL TOLERANCES (UNLESS SPECIFIED) ANGULAR TOL ± ° 4 PLACES ± 3 PLACES ± 2 PLACES ± 1 PLACE ± 0 PLACES ± DRAFT WHERE APPLICABLE MUST REMAIN WITHIN DIMENSIONS	DIMENSION UNITS	SCALE		
	REVISED				MM	1:1		
	DRWN BY				ABABU01	DATE		2016/02/22
	CHK'D BY				YKOBAYASHI02	DATE		2016/05/23
	APPR BY				TKUSUHARA01	DATE		2016/05/24
DRAWING SIZE		THIRD ANGLE PROJECTION				PRODUCT CUSTOMER DRAWING		
A3				SERIES	MATERIAL NUMBER	CUSTOMER		
				502078	SEE CHART	GENERAL		
DOCUMENT NUMBER				DOC TYPE	DOC PART	SHEET NUMBER		
5020780000				PSD	000	2 OF 3		



14.2	33.4	17.3	5020786160	61
C	B	(A)	オーダー番号 ORDER NO.	極数 CIRCUITS
			CONNECTOR SERIES NO.	502078**68

THIS DRAWING CONTAINS INFORMATION THAT IS PROPRIETARY TO MOLEX ELECTRONIC TECHNOLOGIES, LLC AND SHOULD NOT BE USED WITHOUT WRITTEN PERMISSION

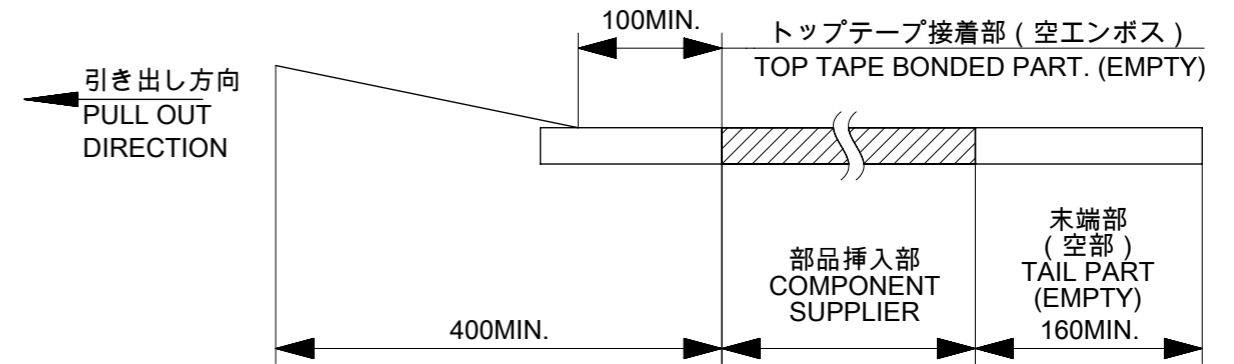
EC NO: 112948 DRWN: MTAKAHASHI04 CHK'D: YKOBAYASHI02 APPR: TKUSUHARA01	2016/08/09	2017/02/06	2017/02/07	GENERAL TOLERANCES (UNLESS SPECIFIED) ANGULAR TOL ± ° 4 PLACES ± 3 PLACES ± 2 PLACES ± 1 PLACE ± 0 PLACES ± DRAFT WHERE APPLICABLE MUST REMAIN WITHIN DIMENSIONS	DIMENSION UNITS	SCALE		
	REVISED				MM	1:1		
	DRWN BY				ABABU01	DATE		2016/02/22
	CHK'D BY				YKOBAYASHI02	DATE		2016/05/23
	APPR BY				TKUSUHARA01	DATE		2016/05/24
DRAWING SIZE		THIRD ANGLE PROJECTION						
A3								
PRODUCT CUSTOMER DRAWING			SERIES	MATERIAL NUMBER	CUSTOMER			
			502078	SEE CHART	GENERAL			
DOCUMENT NUMBER			DOC TYPE	DOC PART	SHEET NUMBER			
5020780000			PSD	000	3 OF 3			



DETAIL C

注記 NOTES

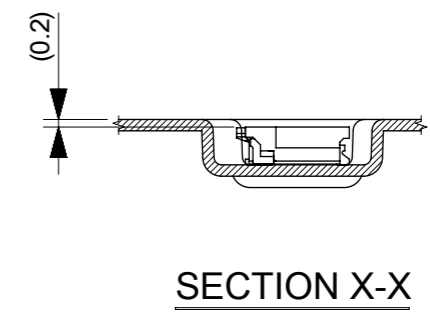
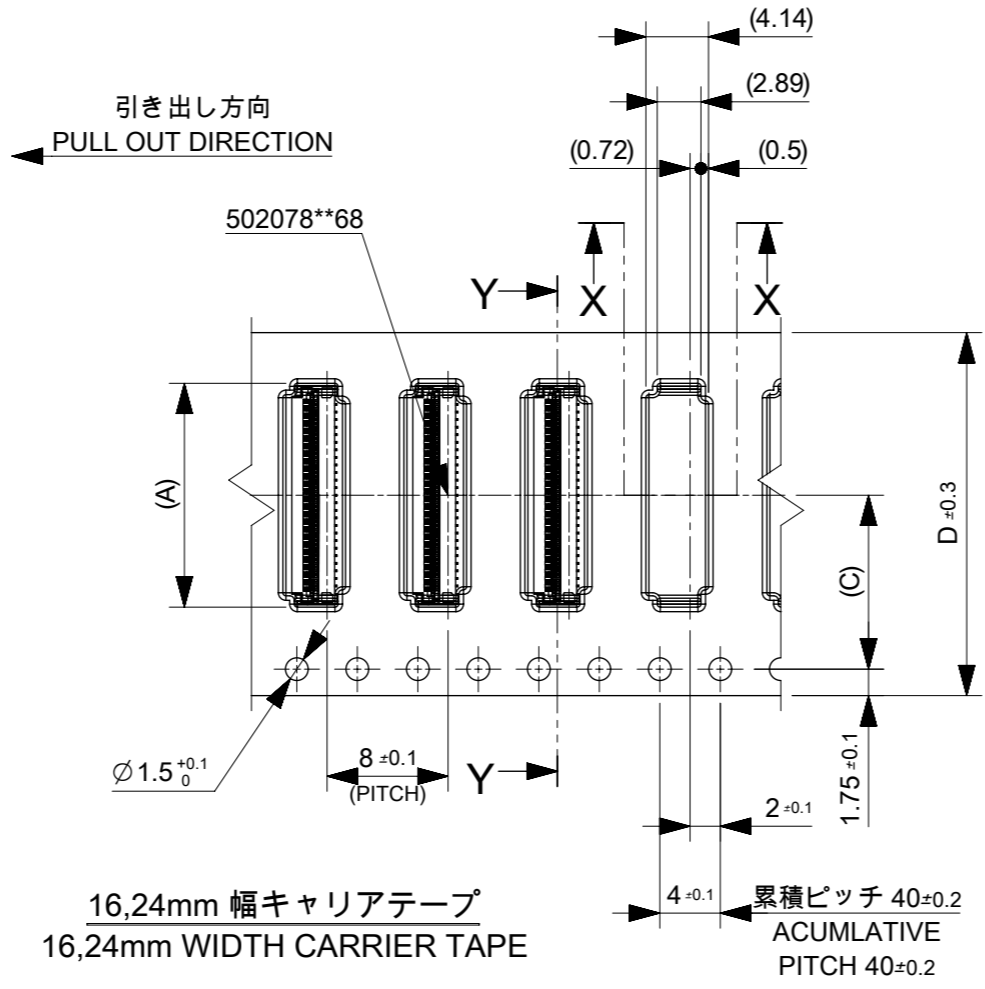
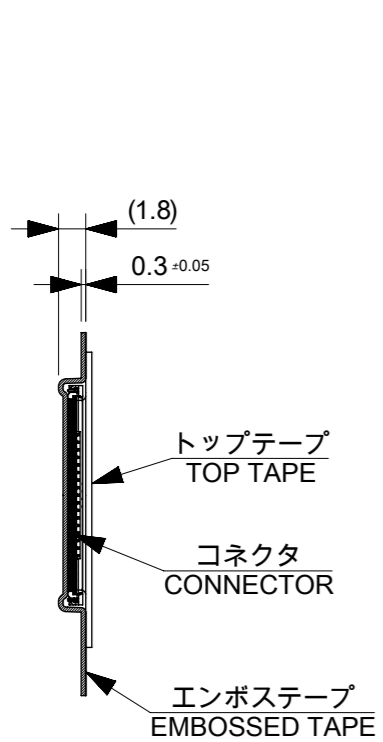
- 製品詳細寸法については製品単体図面を参照下さい。  
DETAIL DIMENSION, SEE PRODUCT DRAWING
- 梱包数量 : 6000 個 / リール  
NUMBER OF CONNECTORS : 6000 PCS/REEL
- リードテープ長さ LEAD TAPE LENGTH



- 材料 MATERIAL  
キャリアテープ (CARRIER TAPE) : ポリスチレン (POLYSTYRENE)  
トップテープ (TOP TAPE) : PET, PE, PEF  
リール (REEL) : ポリスチレン (PS) <リサイクル材を含む>  
POLYSTYRENE (PS) <RECYCLE MATERIAL CONTAINED>
- カバーテープの剥離強度については、IEC60286-3 に準拠  
COVER TAPE PEEL FORCE IS DEFINED BY IEC 60286-3.

CONNECTOR SERIES NO. 502078\*\*68

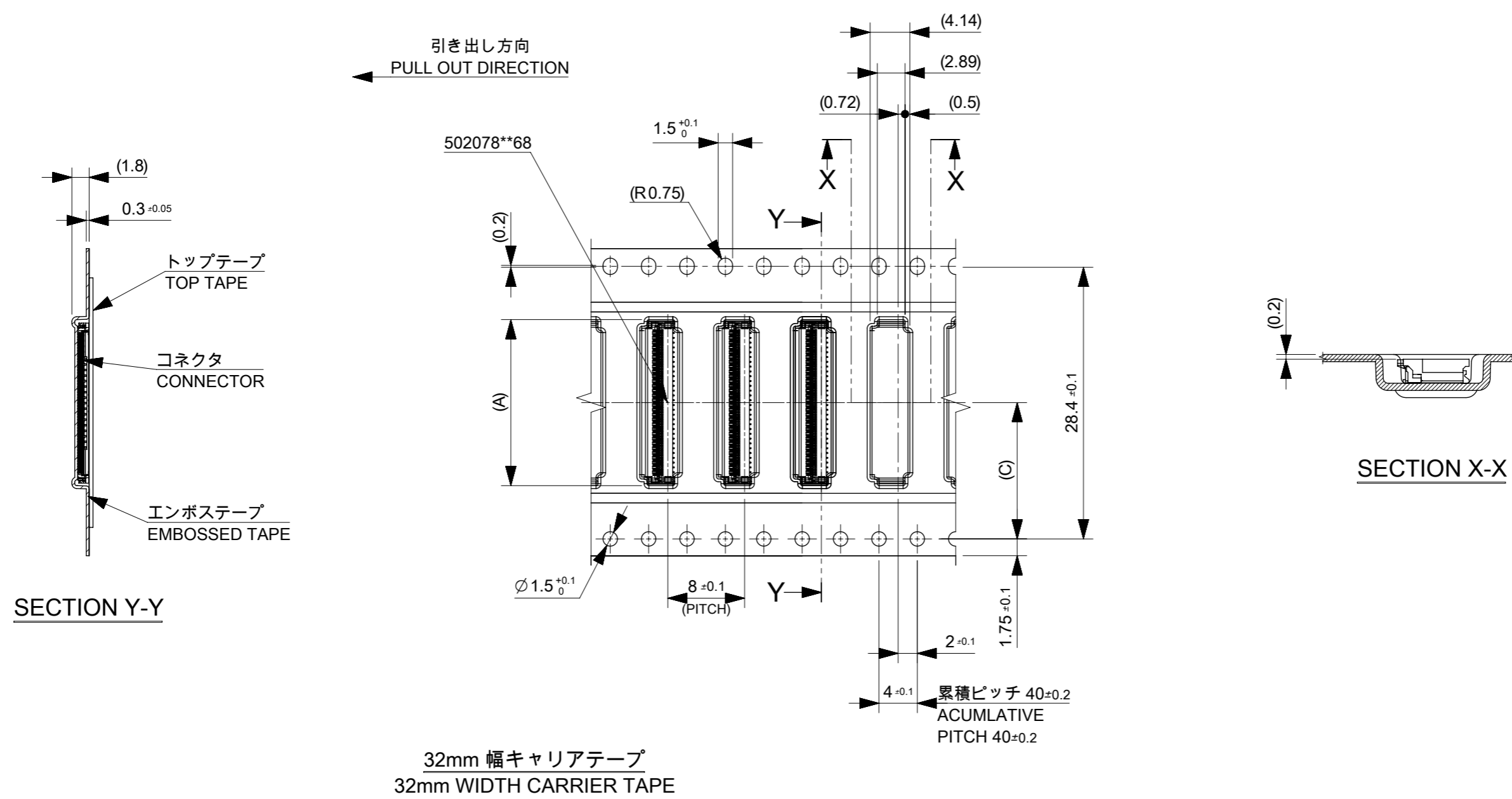
THIS DRAWING CONTAINS INFORMATION THAT IS PROPRIETARY TO MOLEX ELECTRONIC TECHNOLOGIES, LLC AND SHOULD NOT BE USED WITHOUT WRITTEN PERMISSION															
RELEASED	EC NO. 112453	DRWN: RYANAIDANI	CHK'D: KTAKAHASHI	APPR: MSASAO	GENERAL TOLERANCES (UNLESS SPECIFIED)	DIMENSION UNITS	SCALE	<b>molex</b> <sup>®</sup>							
	2016/11/24	2017/01/27	2017/01/27	2017/01/27	MM	1:1									
	ANGULAR TOL ±	°	DRWN BY	DATE	RYANAIDANI	2016/11/24	0.25MM PITCH FPC CONN HGT =1.0 HSG ASSY EMBOSSED TAPE PACKAGE								
	4 PLACES	±	CHK'D BY	DATE	KTAKAHASHI	2017/01/27									
	3 PLACES	±	APPR BY	DATE	MSASAO	2017/01/27	PRODUCT CUSTOMER DRAWING								
	2 PLACES	±	DRAWING SIZE	THIRD ANGLE PROJECTION	A3	<table border="1"> <tr> <td>SERIES</td> <td>MATERIAL NUMBER</td> <td>CUSTOMER</td> </tr> <tr> <td>502078</td> <td>SEE CHART</td> <td>GENERAL</td> </tr> </table>				SERIES	MATERIAL NUMBER	CUSTOMER	502078	SEE CHART	GENERAL
SERIES	MATERIAL NUMBER	CUSTOMER													
502078	SEE CHART	GENERAL													
1 PLACE	±	DRAFT WHERE APPLICABLE MUST REMAIN WITHIN DIMENSIONS			<table border="1"> <tr> <td>DOCUMENT NUMBER</td> <td>DOC TYPE</td> <td>DOC PART</td> <td>SHEET NUMBER</td> </tr> <tr> <td>5020780001</td> <td>PSD</td> <td>000</td> <td>1 OF 3</td> </tr> </table>			DOCUMENT NUMBER	DOC TYPE	DOC PART	SHEET NUMBER	5020780001	PSD	000	1 OF 3
DOCUMENT NUMBER	DOC TYPE	DOC PART	SHEET NUMBER												
5020780001	PSD	000	1 OF 3												
0 PLACES	±														



24	11.5	25.4	15.3	5020785362	53
			14.8	5020785162	51
			13.3	5020784562	45
			11.8	5020783962	39
			11.3	5020783762	37
			10.3	5020783362	33
			8.3	5020782562	25
16	7.5	17.4	6.3	5020781762	17
			5.3	5020781362	13
D キャリアテープ幅 CARRIER TAPE WIDTH	C	B	(A)	オーダー番号 ORDER NO.	極数 CIRCUITS
			CONNECTOR SERIES NO.		502078**68

THIS DRAWING CONTAINS INFORMATION THAT IS PROPRIETARY TO MOLEX ELECTRONIC TECHNOLOGIES, LLC AND SHOULD NOT BE USED WITHOUT WRITTEN PERMISSION

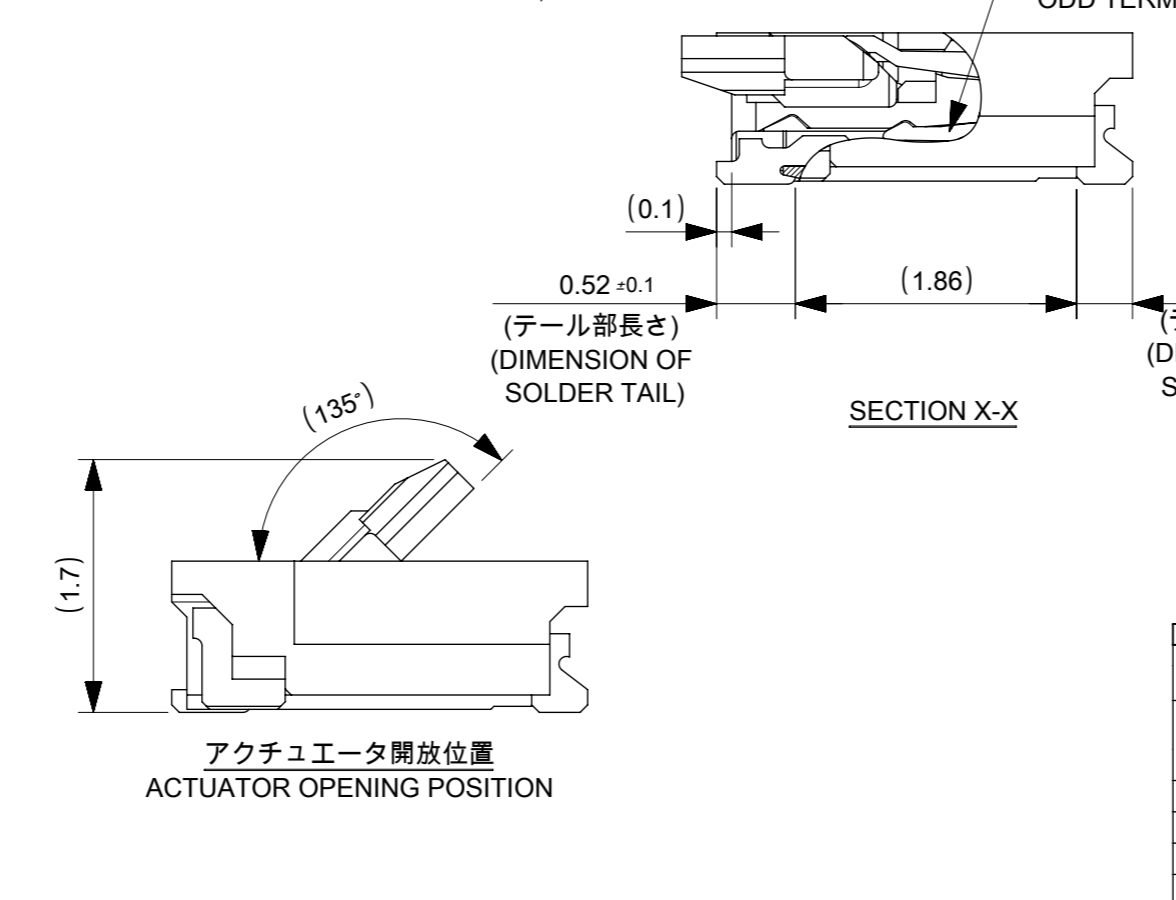
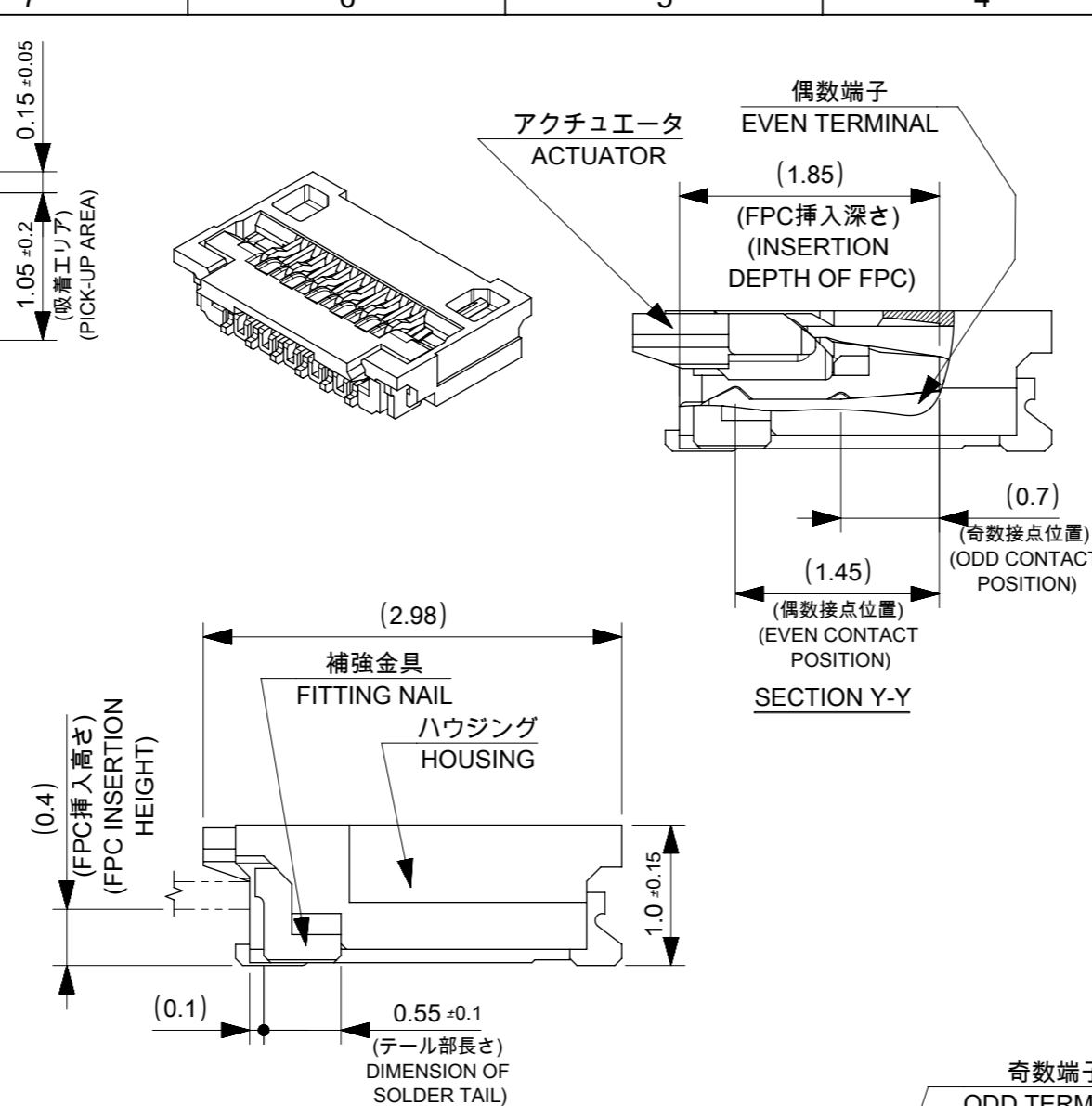
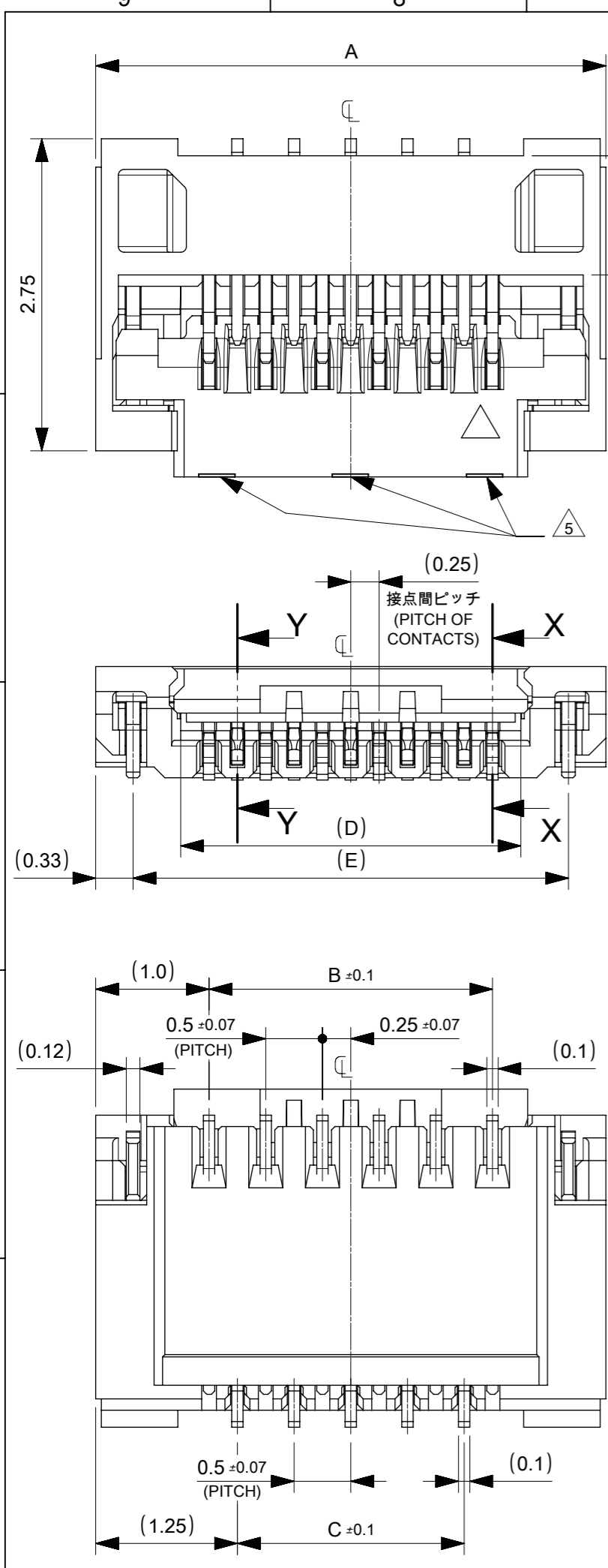
EC NO: 112453 DRWN: RYANAIDANI CHK'D: KTAKAHASHI APPR: MSASAO REV: A	2016/11/24 2017/01/27 2017/01/27	GENERAL TOLERANCES (UNLESS SPECIFIED) ANGULAR TOL ± ° 4 PLACES ± 3 PLACES ± 2 PLACES ± 1 PLACE ± 0 PLACES ±	DIMENSION UNITS: MM SCALE: 1:1	<p>0.25MM PITCH FPC CONN HGT = 1.0 HSG ASSY EMBOSSSED TAPE PACKAGE</p> <p>PRODUCT CUSTOMER DRAWING</p>	
	DRWN BY: RYANAIDANI DATE: 2016/11/24	CHK'D BY: KTAKAHASHI DATE: 2017/01/27	APPR BY: MSASAO DATE: 2017/01/27		SERIES: 502078 MATERIAL NUMBER: SEE CHART CUSTOMER: GENERAL
	DRAFT WHERE APPLICABLE MUST REMAIN WITHIN DIMENSIONS				DRAWING SIZE: A3 THIRD ANGLE PROJECTION
	RELEASE STATUS: P1 RELEASE DATE: 24.05.2016 07:26:32		DOCUMENT NUMBER: 5020780001 DOC TYPE: PSD DOC PART: 000 SHEET NUMBER: 2 OF 3		



14.2	33.4	17.3	5020786162	61
C	B	(A)	オーダー番号 ORDER NO.	極数 CIRCUITS
			CONNECTOR SERIES NO.	502078**68

THIS DRAWING CONTAINS INFORMATION THAT IS PROPRIETARY TO MOLEX ELECTRONIC TECHNOLOGIES, LLC AND SHOULD NOT BE USED WITHOUT WRITTEN PERMISSION

EC NO: 112453 DRWN: RYANAIDANI CHK'D: KTAKAHASHI APPR: MSASAO	2016/11/24	GENERAL TOLERANCES (UNLESS SPECIFIED)	DIMENSION UNITS	SCALE	<p>0.25MM PITCH FPC CONN HGT =1.0 HSG ASSY EMBOSSSED TAPE PACKAGE</p> <p>PRODUCT CUSTOMER DRAWING</p>	
	2017/01/27	ANGULAR TOL ±	MM	1:1		
	2017/01/27	4 PLACES ±	DRWN BY	DATE		RYANAIDANI 2016/11/24
		3 PLACES ±	CHK'D BY	DATE		KTAKAHASHI 2017/01/27
		2 PLACES ±	APPR BY	DATE		MSASAO 2017/01/27
		1 PLACE ±	DRAWING SIZE	THIRD ANGLE PROJECTION		A3
	0 PLACES ±	DRAFT WHERE APPLICABLE MUST REMAIN WITHIN DIMENSIONS			SERIES: 502078 MATERIAL NUMBER: SEE CHART CUSTOMER: GENERAL	
RELEASED					DOCUMENT NUMBER: 5020780001 DOC TYPE: PSD DOC PART: 000 SHEET NUMBER: 3 OF 3	



注記 NOTES

1. 使用材料 MATERIALS  
 ハウジング : 液晶ポリマー(UL94V-0、ベージュ)  
 アクチュエータ : ポリアミド(UL94HB、黒色)  
 端子 : リン青銅  
 補強金具 : リン青銅  
 HOUSING : LCP (BEIGE)  
 ACTUATOR : PA (BLACK)  
 TERMINAL : PHOSPHOR BRONZE  
 FITTING NAIL : PHOSPHOR BRONZE
2. メッキ仕様 PLATING  
 端子 TERMINAL  
 接点部 : 金メッキ0.1 μm以上  
 テール部 : 金メッキ  
 下地 : ニッケルメッキ1.0 μm以上  
 CONTACT AREA : Gold PLATING 0.1μm MINIMUM  
 TAIL AREA : Gold PLATING  
 UNDER PLATING : Nickel PLATING 1.0μm MINIMUM  
 金具 FITTING NAIL  
 表面 : スズメッキ 1.0 μm以上  
 下地 : ニッケルメッキ1.0 μm以上  
 ALL OVER : Tin PLATING 1.0μm MINIMUM  
 UNDER PLATING : Nickel PLATING 1.0μm MINIMUM
3. 端子、補強金具のコプラナリティーは0.1以下とする  
 COPLANALITY OF SOLDER TAILS AND FITTING NAILS : 0.1MAX.
4. 一般公差 : ± 0.3  
 GENERAL TOLERANCES: ±0.3
5. アクチュエータの図示箇所にゲート逃げの凹みがつきます (極数により、レイアウトが異なります)  
 THERE ARE DENT SHAPES AT ACTUATOR FOR MOLDING GATE (LAYOUT DIFFER ACCORDING TO CIRCUIT NUMBER)
6. ELV & RoHS 適合品  
 ELV & RoHS COMPLIANT
7. 塩素系・臭素系難燃剤非使用  
 CHLORINATED AND BROMINATED FLAME RETARDANTS FREE

16.34	15.5	14.5	15	17	5020786160	5020786168	61
14.34	13.5	12.5	13	15	5020785360	5020785368	53
13.84	13	12	12.5	14.5	5020785160	5020785168	51
12.34	11.5	10.5	11	13	5020784560	5020784568	45
10.84	10	9	9.5	11.5	5020783960	5020783968	39
10.34	9.5	8.5	9	11	5020783760	5020783768	37
9.34	8.5	7.5	8	10	5020783360	5020783368	33
7.34	6.5	5.5	6	8	5020782560	5020782568	25
6.34	5.5	4.5	5	7	5020782160	5020782168	21
5.34	4.5	3.5	4	6	5020781760	5020781768	17
4.34	3.5	2.5	3	5	5020781360	5020781368	13
E	D	C	B	A	ORDER No.	MATERIAL No.	CIRCUIT =N

CONNECTOR SERIES No. 502078\*\*68

THIS DRAWING CONTAINS INFORMATION THAT IS PROPRIETARY TO MOLEX ELECTRONIC TECHNOLOGIES, LLC AND SHOULD NOT BE USED WITHOUT WRITTEN PERMISSION

DIMENSION UNITS: mm SCALE: 20:1 CURRENT REV DESC: REVISED

GENERAL TOLERANCES (UNLESS SPECIFIED):

ANGULAR TOL ± °

4 PLACES ±

3 PLACES ±

2 PLACES ±

1 PLACE ±

0 PLACES ±

DRAFT WHERE APPLICABLE MUST REMAIN WITHIN DIMENSIONS

THIRD ANGLE PROJECTION

DRAWING: A3-SIZE

SERIES: 502078

MATERIAL NUMBER: SEE CHART

CUSTOMER: GENERAL

SHEET NUMBER: 1 OF 2

EC NO: 171125  
 DRWN: MTAKAHASHI04 2018/01/19  
 CHK'D: KTAKAHASHI 2018/01/23  
 APPR: NUKITA 2018/01/23

INITIAL REVISION:  
 DRWN: NVELUSAMY 2016/02/18  
 APPR: TKUSUHARA01 2016/05/24

PRODUCT CUSTOMER DRAWING

DOCUMENT NUMBER: 5020781000

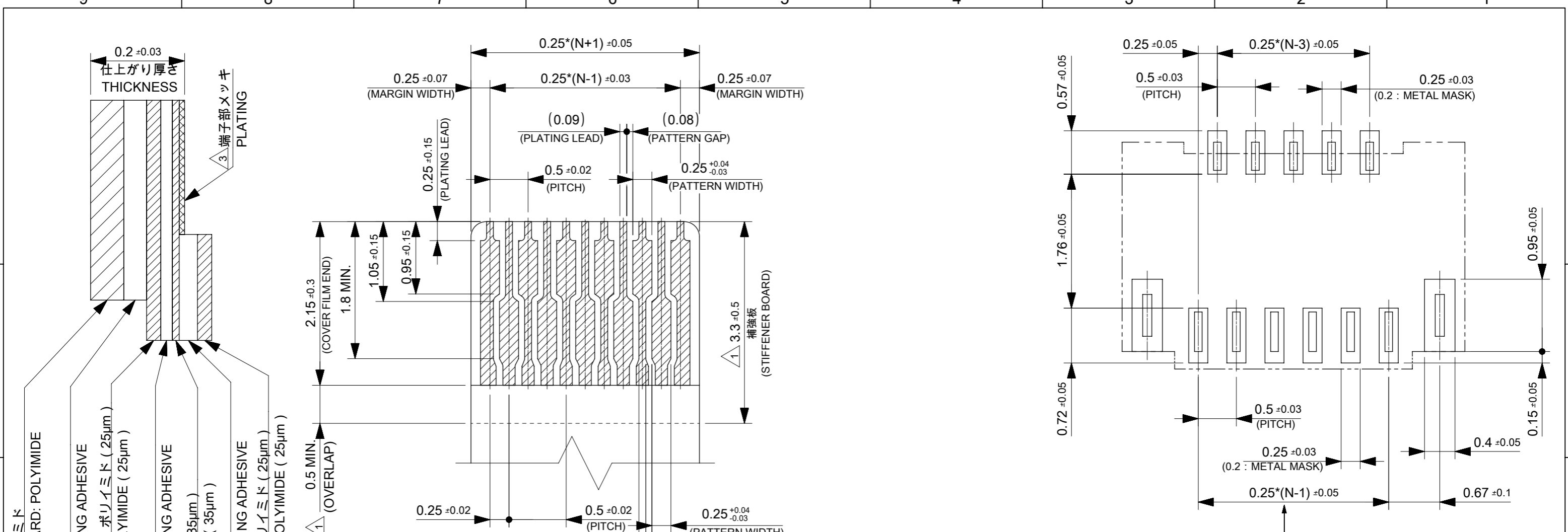
DOC TYPE: PSD

DOC PART: 000

REVISION: C

MOLEX

0.25 PITCH FPC CONN E/O  
 HGT=1.0 BTM CONTACT TYPE



補強板：ポリイミド  
STIFFENER BOARD: POLYIMIDE  
熱硬化接着剤  
THERMOSETTING ADHESIVE  
ペースフィルム：ポリイミド (25µm)  
BASE FILM: POLYIMIDE (25µm)  
熱硬化接着剤  
THERMOSETTING ADHESIVE  
導体部：銅箔 (35µm)  
CONDUCTOR: COPPER (35µm)  
熱硬化接着剤  
THERMOSETTING ADHESIVE  
カバーレイ：ポリイミド (25µm)  
COVER FILM: POLYIMIDE (25µm)

FPC 構成材料例  
EXAMPLE OF FPC  
COMPOSITION MATERIAL

適合するFPC推奨寸法  
APPLICABLE FPC  
RECOMMENDED DIMENSION  
(端子部仕上がり厚さ：0.2±0.03)  
(THICKNESS: 0.2±0.03)

注記 NOTES

1. 補強板長さが図面通り確保できない場合は、カバーレイと補強板のオーバーラップ寸法を0.5mm以上としてください  
WHEN STIFFENER BOARD DIMENSION CAN NOT SECURE AS DRAWING, PLEASE GIVE THE OVERLAP SIZE OF COVER FILM AND STIFFENER BOARD AS 0.5mm MINIMUM

2. 推奨ペースト厚：100µm  
推奨マスク開口率：80%  
RECOMMEND SCREEN THICKNESS：100µm  
RECOMMEND SCREEN OPEN RATIO：80%

3. FPCパターンのメッキ仕様は  
金メッキ：0.1µm以上  
下地ニッケルメッキ：2~6µm  
FPC PATTERN PLATING  
GOLD PLATING：0.1µm MINIMUM  
NICKEL UNDER PLATING：2~6µm

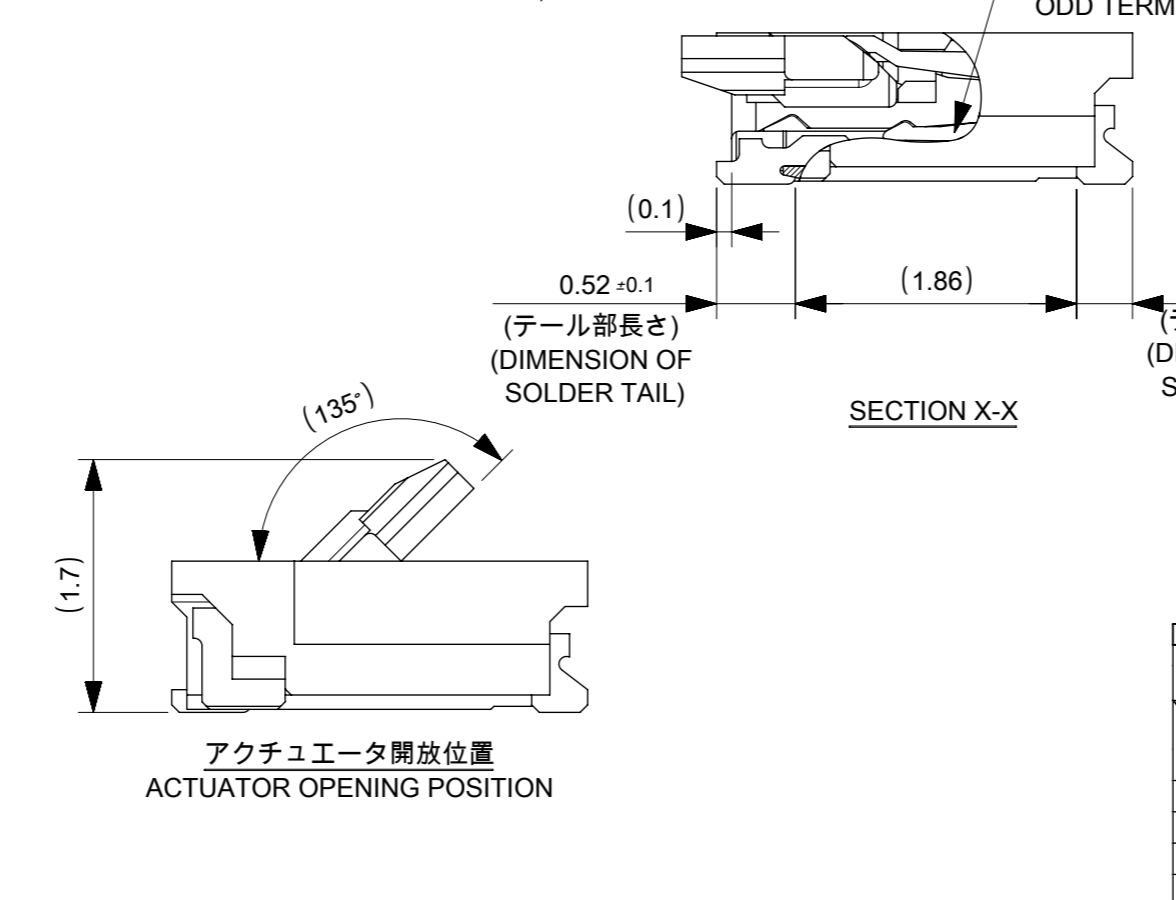
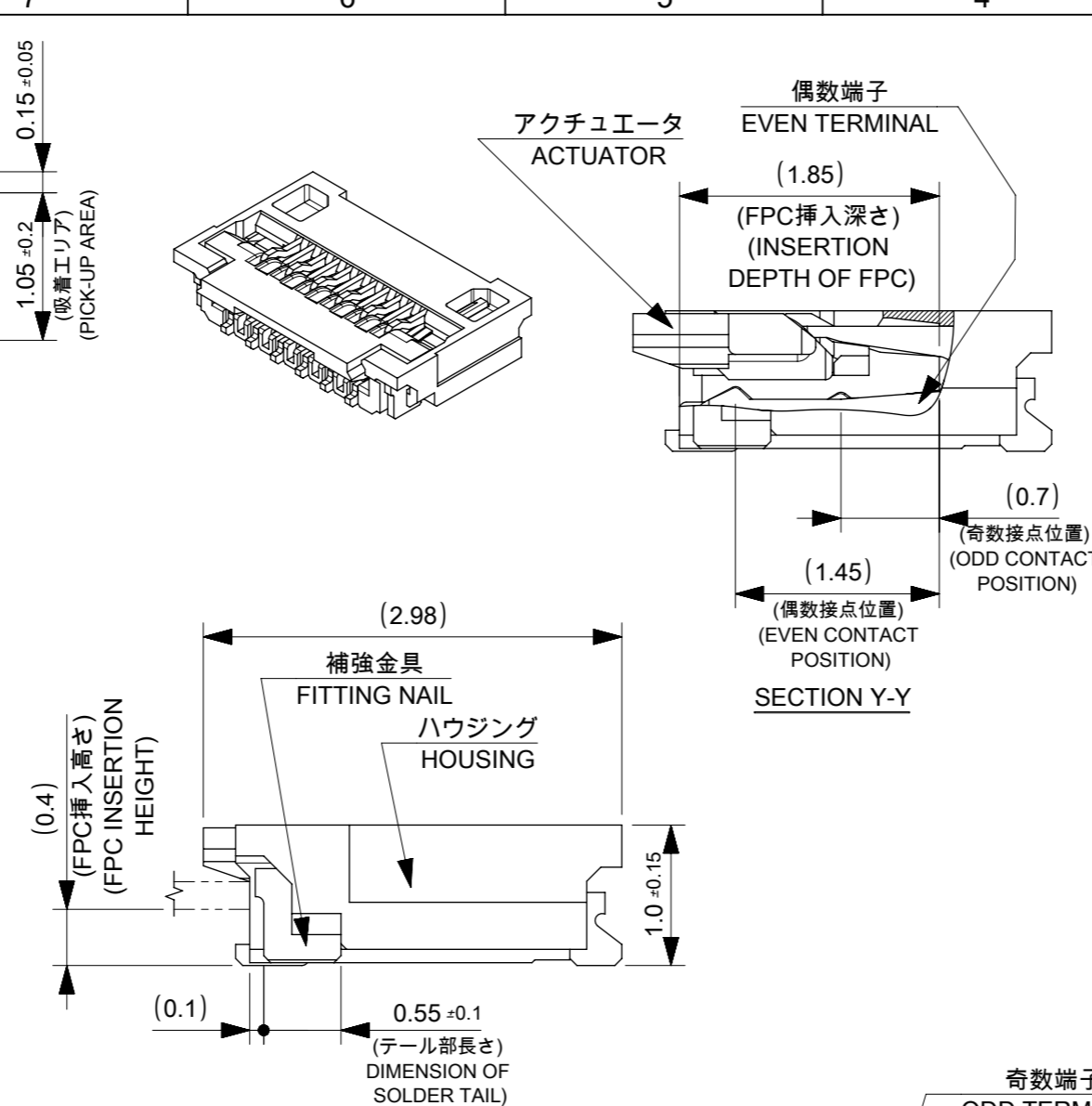
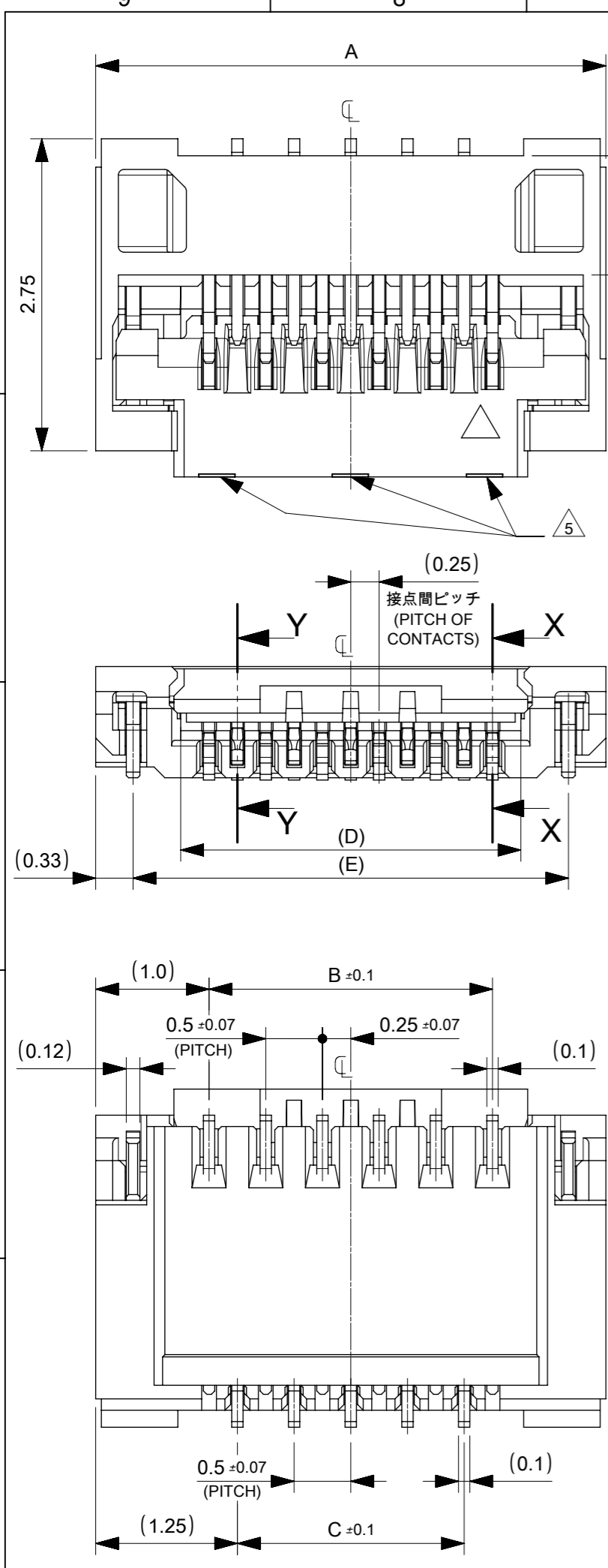
4. FPCについて (ABOUT FPC)  
抜き方向は、導体側から補強板側を推奨します  
補強板材質は、ポリイミドを推奨します  
接着剤は熱硬化接着剤を推奨します  
なお、接着剤の接点部への付着は導通不良の原因となりますので染み出しがないよう、お願いします。  
FPCに規定された定格温度がFPC単体前提である場合が御座います。  
コネクタと組み合わせての実使用に置いて、接着層が劣化するなどの信頼性を満足できないケースを回避するため、実機での評価/確認をお願い致します。

RECOMMENDED PUNCHER DIRECTION: FROM CONDUCTOR SIDE TO STIFFENER BOARD SIDE  
RECOMMENDED MATERIAL: STIFFENER BOARD: POLYIMIDE  
BONDING AGENT: THERMOSETTING AGENT  
PLEASE PUT APPROPRIATE AMOUNT OF ADHESIVE ON THE CONTACT AREA BECAUSE THE EXTRA ADHESIVE MAY CAUSE THE DEFECT IN ELECTRICAL CONTINUITY.

NOTE: WHEN ACTUALLY USING IT WITH CONNECTOR, PLEASE DO THE EVALUATION AND THE CONFIRMATION WITH AN ACTUAL EQUIPMENT TO EVADE THE CASE WHERE RELIABILITY CANNOT BE FILLED (THE ADHESIVE LINE OF FPC IS DETERIORATED ETC.)

THIS DRAWING CONTAINS INFORMATION THAT IS PROPRIETARY TO MOLEX ELECTRONIC TECHNOLOGIES, LLC AND SHOULD NOT BE USED WITHOUT WRITTEN PERMISSION											
DIMENSION UNITS		SCALE		CURRENT REV DESC: REVISED						<b>molex</b>	
mm		20:1									
GENERAL TOLERANCES (UNLESS SPECIFIED)				EC NO: 171125						0.25 PITCH FPC CONN E/O HGT=1.0 BTM CONTACT TYPE	
ANGULAR TOL ± °				4 PLACES ±		DRWN: MTAKAHASHI04		2018/01/19			
				3 PLACES ±		CHK'D: KTAKAHASHI		2018/01/23			
				2 PLACES ±		APPR: NUKITA		2018/01/23		PRODUCT CUSTOMER DRAWING	
				1 PLACE ±		INITIAL REVISION:		DOCUMENT NUMBER		DOC TYPE	
				0 PLACES ±		DRWN: NVELUSAMY		5020781000		PSD	
						APPR: TKUSUHARA01		2016/02/18		000	
								2016/05/24		C	
DRAFT WHERE APPLICABLE MUST REMAIN WITHIN DIMENSIONS		THIRD ANGLE PROJECTION		DRAWING		SERIES		MATERIAL NUMBER		CUSTOMER	
		A3-SIZE		502078		SEE SHEET 1		GENERAL		2 OF 2	





注記 NOTES

1. 使用材料 MATERIALS  
 ハウジング : 液晶ポリマー (UL94V-0、ベージュ)  
 アクチュエータ : ポリアミド (UL94HB、黒色)  
 端子 : リン青銅  
 補強金具 : リン青銅  
 HOUSING : LCP (BEIGE)  
 ACTUATOR : PA (BLACK)  
 TERMINAL : PHOSPHOR BRONZE  
 FITTING NAIL : PHOSPHOR BRONZE
2. メッキ仕様 PLATING  
 端子 TERMINAL  
 接点部 : 金メッキ 0.1 μm 以上  
 テール部 : 金メッキ  
 下地 : ニッケルメッキ 1.0 μm 以上  
 CONTACT AREA : Gold PLATING 0.1 μm MINIMUM  
 TAIL AREA : Gold PLATING  
 UNDER PLATING : Nickel PLATING 1.0 μm MINIMUM  
 金具 FITTING NAIL  
 表面 : スズメッキ 1.0 μm 以上  
 下地 : ニッケルメッキ 1.0 μm 以上  
 ALL OVER : Tin PLATING 1.0 μm MINIMUM  
 UNDER PLATING : Nickel PLATING 1.0 μm MINIMUM
3. 端子、補強金具のコプラナリティーは0.1以下とする  
 COPLANALITY OF SOLDER TAILS AND FITTING NAILS : 0.1 MAX.
4. 一般公差 : ± 0.3  
 GENERAL TOLERANCES: ± 0.3
5. アクチュエータの図示箇所にゲート逃げの凹みがつきます (極数により、レイアウトが異なります)  
 THERE ARE DENT SHAPES AT ACTUATOR FOR MOLDING GATE (LAYOUT DIFFER ACCORDING TO CIRCUIT NUMBER)
6. ELV & RoHS 適合品  
 ELV & RoHS COMPLIANT
7. 塩素系・臭素系難燃剤非使用  
 CHLORINATED AND BROMINATED FLAME RETARDANTS FREE

16.34	15.5	14.5	15	17	5020786162	5020786168	61
14.34	13.5	12.5	13	15	5020785362	5020785368	53
13.84	13	12	12.5	14.5	5020785162	5020785168	51
12.34	11.5	10.5	11	13	5020784562	5020784568	45
10.84	10	9	9.5	11.5	5020783962	5020783968	39
10.34	9.5	8.5	9	11	5020783762	5020783768	37
9.34	8.5	7.5	8	10	5020783362	5020783368	33
7.34	6.5	5.5	6	8	5020782562	5020782568	25
6.34	5.5	4.5	5	7	5020782162	5020782168	21
5.34	4.5	3.5	4	6	5020781762	5020781768	17
4.34	3.5	2.5	3	5	5020781362	5020781368	13
E	D	C	B	A	ORDER No.	MATERIAL No.	CIRCUIT =N

CONNECTOR SERIES No. 502078\*\*68

THIS DRAWING CONTAINS INFORMATION THAT IS PROPRIETARY TO MOLEX ELECTRONIC TECHNOLOGIES, LLC AND SHOULD NOT BE USED WITHOUT WRITTEN PERMISSION

SCALE: 20:1

CURRENT REV DESC: REVISED

**molex**

0.25 PITCH FPC CONN E/O  
HGT=1.0 BTM CONTACT TYPE

PRODUCT CUSTOMER DRAWING

DOCUMENT NUMBER: 5020781001  
DOC TYPE: PSD  
DOC PART: 000  
REVISION: B

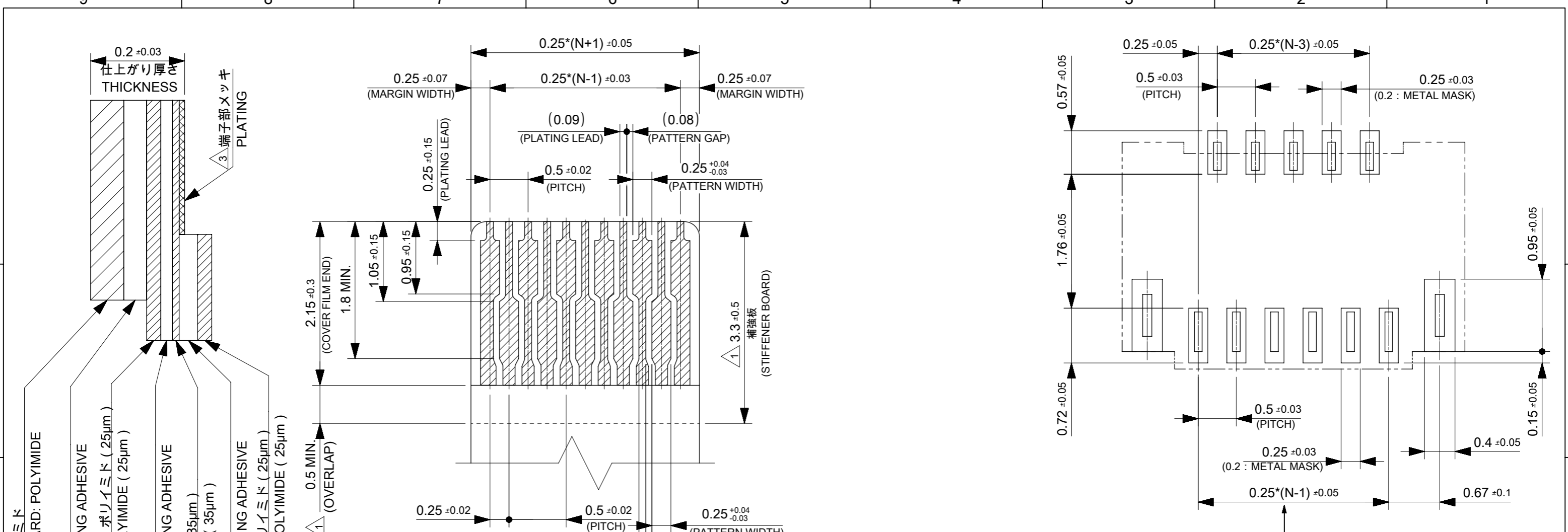
EC NO: 171125  
DRWN: MTAKAHASHI04 2018/01/19  
CHK'D: KTAKAHASHI 2018/01/23  
APPR: NUKITA 2018/01/23

INITIAL REVISION:  
DRWN: RYANAIDANI 2016/11/24  
APPR: MSASAO 2017/01/27

DRAFT WHERE APPLICABLE MUST REMAIN WITHIN DIMENSIONS

THIRD ANGLE PROJECTION

DRAWING: A3-SIZE  
SERIES: 502078  
MATERIAL NUMBER: SEE CHART  
CUSTOMER: GENERAL  
SHEET NUMBER: 1 OF 2



補強板：ポリイミド  
STIFFENER BOARD: POLYIMIDE  
熱硬化接着剤  
THERMOSETTING ADHESIVE  
ベースフィルム：ポリイミド (25µm)  
BASE FILM: POLYIMIDE (25µm)  
熱硬化接着剤  
THERMOSETTING ADHESIVE  
導体部：銅箔 (35µm)  
CONDUCTOR: COPPER FOIL (35µm)  
熱硬化接着剤  
THERMOSETTING ADHESIVE  
カバーレイ：ポリイミド (25µm)  
COVER FILM: POLYIMIDE (25µm)

FPC 構成材料例  
EXAMPLE OF FPC  
COMPOSITION MATERIAL

適合するFPC推奨寸法  
APPLICABLE FPC  
RECOMMENDED DIMENSION  
(端子部仕上がり厚さ：0.2±0.03)  
(THICKNESS: 0.2±0.03)

注記 NOTES

1. 補強板長さが図面通り確保できない場合は、カバーレイと補強板のオーバーラップ寸法を0.5mm以上としてください  
WHEN STIFFENER BOARD DIMENSION CAN NOT SECURE AS DRAWING, PLEASE GIVE THE OVERLAP SIZE OF COVER FILM AND STIFFENER BOARD AS 0.5mm MINIMUM

2. 推奨ペースト厚：100µm  
推奨マスク開口率：80%  
RECOMMEND SCREEN THICKNESS：100µm  
RECOMMEND SCREEN OPEN RATIO：80%

3. FPCパターンのメッキ仕様は  
金メッキ：0.1µm以上  
下地ニッケルメッキ：2~6µm  
FPC PATTERN PLATING  
GOLD PLATING：0.1µm MINIMUM  
NICKEL UNDER PLATING：2~6µm

4. FPCについて (ABOUT FPC)  
抜き方向は、導体側から補強板側を推奨します  
補強板材質は、ポリイミドを推奨します  
接着剤は熱硬化接着剤を推奨します  
なお、接着剤の接点部への付着は導通不良の原因となりますので染み出しがないよう、お願いします。  
FPCに規定された定格温度がFPC単体前提である場合が御座います。  
コネクタと組み合わせての実使用に置いて、接着層が劣化するなどの信頼性を満足できないケースを回避するため、実機での評価/確認をお願い致します。

RECOMMENDED PUNCHER DIRECTION: FROM CONDUCTOR SIDE TO STIFFENER BOARD SIDE  
RECOMMENDED MATERIAL: STIFFENER BOARD: POLYIMIDE  
BONDING AGENT: THERMOSETTING AGENT  
PLEASE PUT APPROPRIATE AMOUNT OF ADHESIVE ON THE CONTACT AREA BECAUSE THE EXTRA ADHESIVE MAY CAUSE THE DEFECT IN ELECTRICAL CONTINUITY.

NOTE: WHEN ACTUALLY USING IT WITH CONNECTOR, PLEASE DO THE EVALUATION AND THE CONFIRMATION WITH AN ACTUAL EQUIPMENT TO EVADE THE CASE WHERE RELIABILITY CANNOT BE FILLED (THE ADHESIVE LINE OF FPC IS DETERIORATED ETC.)

THIS DRAWING CONTAINS INFORMATION THAT IS PROPRIETARY TO MOLEX ELECTRONIC TECHNOLOGIES, LLC AND SHOULD NOT BE USED WITHOUT WRITTEN PERMISSION		CURRENT REV DESC: REVISED		<b>molex</b>	
DIMENSION UNITS	SCALE				
mm	20:1			0.25 PITCH FPC CONN E/O HGT=1.0 BTM CONTACT TYPE	
GENERAL TOLERANCES (UNLESS SPECIFIED)		EC NO: 171125		PRODUCT CUSTOMER DRAWING	
ANGULAR TOL	±	DRWN: MTAKAHASHI04 2018/01/19		DOCUMENT NUMBER	
4 PLACES	±	CHK'D: KTAKAHASHI 2018/01/23		5020781001	
3 PLACES	±	APPR: NUKITA 2018/01/23		DOC TYPE	DOC PART
2 PLACES	±	INITIAL REVISION:		PSD	000
1 PLACE	±	DRWN: RYANAIDANI 2016/11/24		REVISION	
0 PLACES	±	APPR: MSASAO 2017/01/27		B	
DRAFT WHERE APPLICABLE MUST REMAIN WITHIN DIMENSIONS		THIRD ANGLE PROJECTION	DRAWING	SERIES	MATERIAL NUMBER
			A3-SIZE	502078	SEE SHEET 1
				CUSTOMER	SHEET NUMBER
				GENERAL	2 OF 2