



- Reliable energy for your application
- Standard cells and customized packs
- ESD protection
- Battery Certification Experts

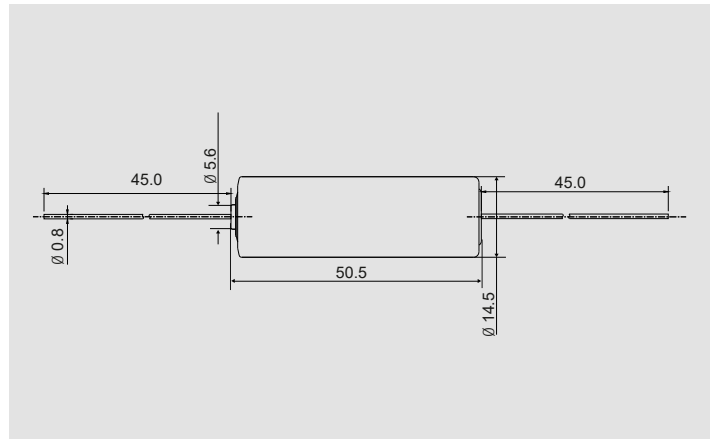
Technical Data Sheet · ER14505J-P

SPECIFICATIONS

Cell Size reference	AA
Chemistry	Li-SoCl ₂
UI 1642	MH62838
Nominal Voltage	3.6V
Jauch No.	247834
Nominal Capacity	2.6 Ah
Max. Continuous Current	100 mA
Max. Pulse Current	200 mA (200mA/0,1 sec pulses, drained every 2 min at 25 °C)
Operating Temperature	-60 °C to +85 °C*
Storage	30 °C max
Weight	Approx. 19g

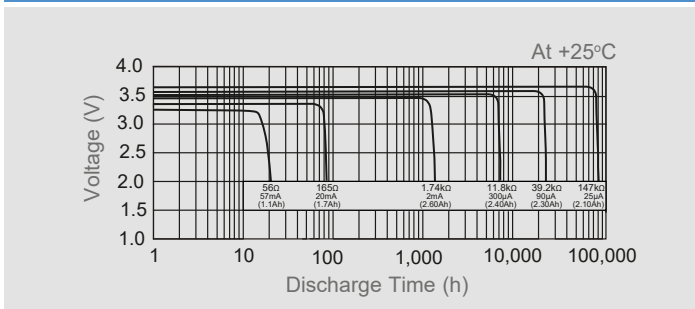
* In applications where the battery is exposed to temperatures >85°C, please contact Jauch.

DIMENSIONS (mm)

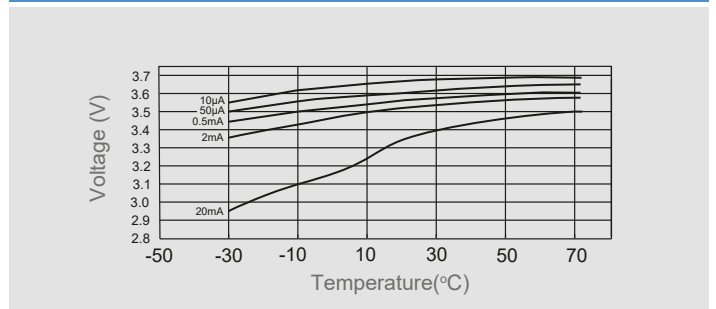


Available Terminals and Wire Connectors: please contact Jauch for diagram of batteries with terminals (batterytechnology@jauch.com).

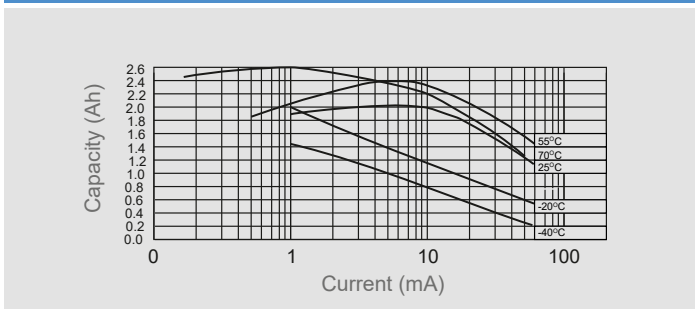
DISCHARGE CHARACTERISTICS



VOLTAGE VS. TEMPERATURE



CAPACITY VS. CURRENT



STORAGE CHARACTERISTICS

