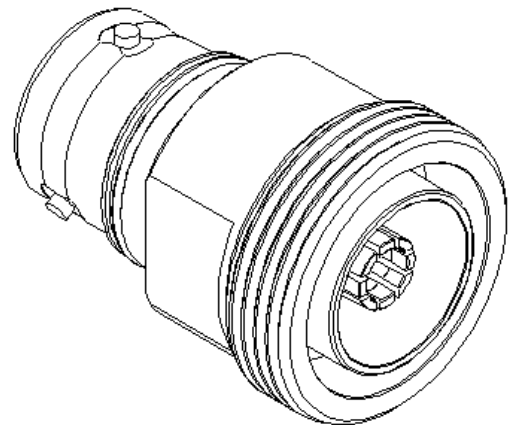
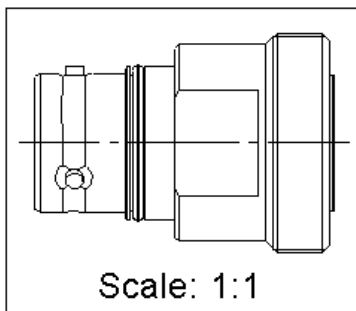
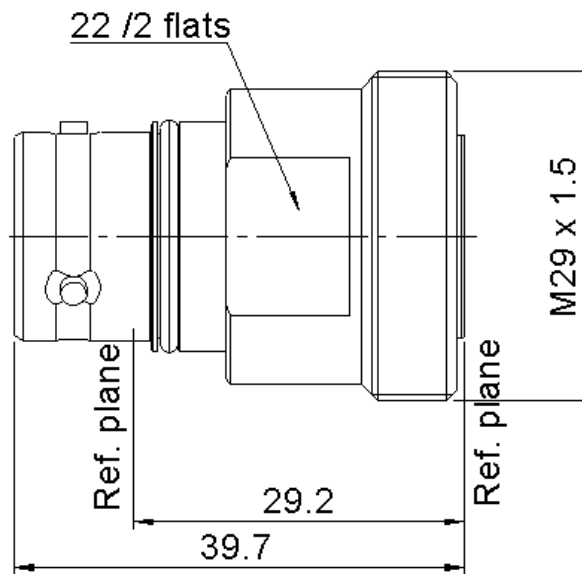
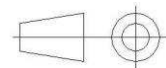


| | | | |
|----------|-------------|-------------------|-------------------------------|
| PAGE 1/2 | ISSUE 1416B | SERIES ADAPTER | PART NUMBER R191664000 |
|----------|-------------|-------------------|-------------------------------|



All dimensions are in mm.



| COMPONENTS | MATERIALS | PLATING (µm) |
|----------------|------------------------|---------------|
| Body | BRASS | BBR |
| Center contact | BRONZE | SILVER |
| Outer contact | | |
| Insulator | PTFE | |
| Gasket | SILICONE RUBBER | |
| Others parts | | |
| - | - | - |
| - | - | - |

| | | | |
|-----------------|--------------------|--------------------------|-------------------------------|
| PAGE 2/2 | ISSUE 1416B | SERIES ADAPTER | PART NUMBER R191664000 |
|-----------------|--------------------|--------------------------|-------------------------------|

PACKAGING

| Standard | Unit | Other |
|----------|----------|-------------------|
| 1 | - | Contact us |

ELECTRICAL CHARACTERISTICS

| | | | |
|---------------------------------|-------------|-------------|-----------------------------|
| Impedance | | 50 | Ω |
| Frequency | | 0-6 | GHz |
| VSWR | 1.04 | + | 0.0200 x F(GHz) Maxi |
| Insertion loss | | 0.05 | \sqrt{F} (GHz) dB Maxi |
| RF leakage | - | (NA | - F(GHz) dB Maxi |
| Voltage rating | | 1400 | Veff Maxi |
| Dielectric withstanding voltage | | 2500 | Veff mini |
| Insulation resistance | | 5000 | M Ω mini |

ENVIRONMENTAL

| | | |
|---------------|-----------------|--------------------|
| Operating | -55~+120 | $^{\circ}\text{C}$ |
| Hermetic seal | NA | Atm.cm3/s |
| Panel leakage | NA | |

MECHANICAL CHARACTERISTICS

| | | | |
|----------------------------|--|------------|-----------|
| Center contact retention | | | |
| Axial force – Mating End | | 50 | N mini |
| Axial force – Opposite end | | 200 | N mini |
| Torque | | NA | N.cm mini |

SPECIFICATION

| | | | |
|--------------------|-------------|-----------|------|
| Recommended torque | | | |
| Mating | QLI | 0 | N.cm |
| | 7/16 | 0 | N.cm |
| | | 0 | N.cm |
| Panel nut | | NA | N.cm |

OTHER CHARACTERISTICS

**IMP3<-120dBm under 2 carriers of +43dBm
IP67 mated condition**

| | | | |
|-------------|--|----------------|-------------|
| Mating life | | 100 | Cycles mini |
| Weight | | 80.9300 | g |