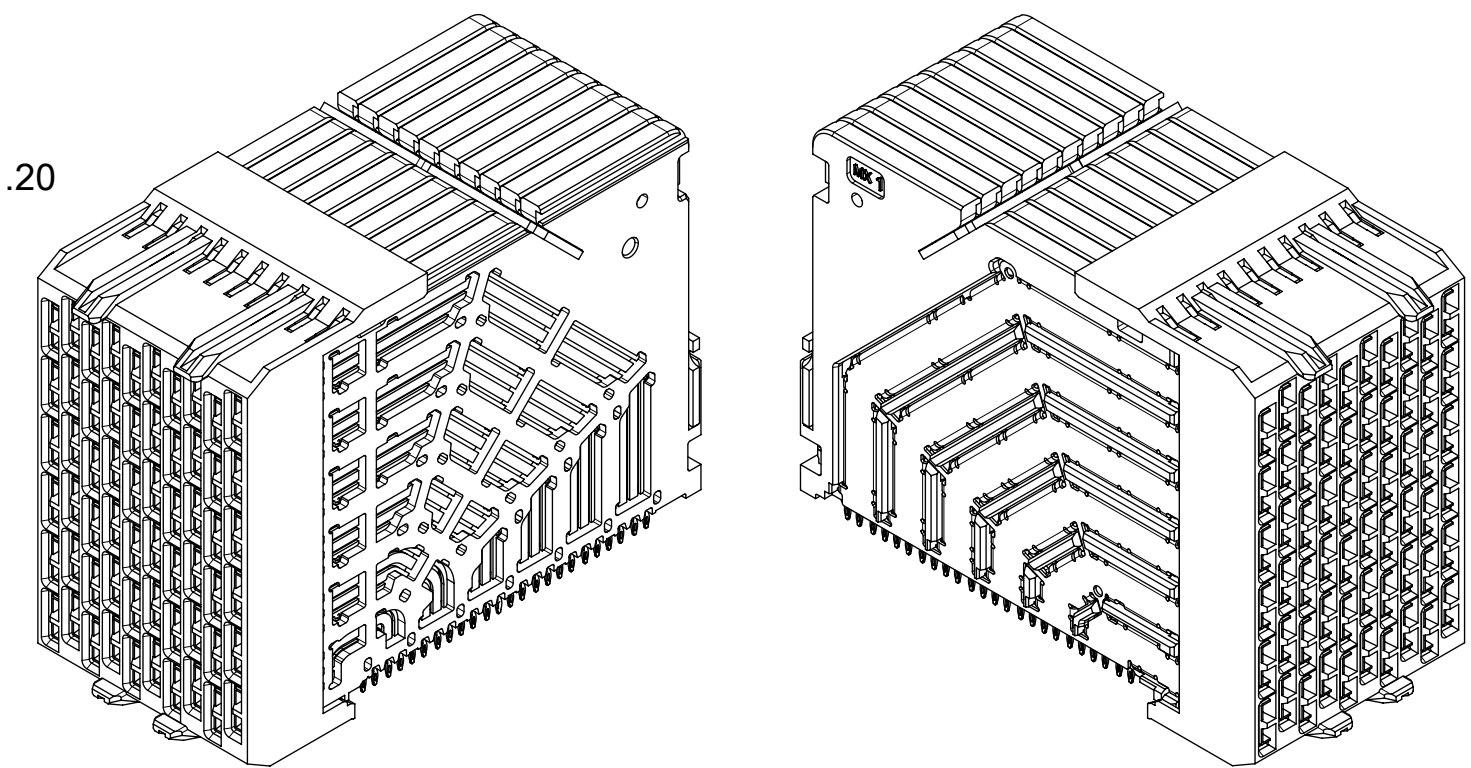


NOTES:

1. MATERIALS: HOUSING - LIQUID CRYSTAL POLYMER (LCP)
GLASS-FILLED, UL94V-0
TERMINALS - HIGH PERFORMANCE COPPER ALLOY
2. FINISH: 30uIN GOLD IN CONTACT AREA.
SELECTIVE TIN ON PCB TAILS.
NICKEL OVERALL.
3. REFER TO MOLEX PRODUCT SPECIFICATION PS-171320-999 FOR PERFORMANCE SPECIFICATIONS.
4. THIS PART CONFORMS TO CLASS B REQUIREMENTS OF MOLEX COSMETIC SPEC PS-45499-002.
5. PRODUCT WILL BE PACKAGED PER PK-78888-088.
6. SEE SHEET 2 FOR HOLE PATTERN DIMENSIONS.
7. MATES WITH IMPEL BP SERIES NUMBER 171395.
8. REFER TO IMPEL PCB ROUTING GUIDE AS-171320-990 FOR ANTIPAD, ROUTING RECOMMENDATIONS, AND ADDITIONAL PCB INFORMATION.
9. WHEN STACKING MODULES END TO END, THE MINIMUM COLUMN TO COLUMN HOLE SPACING IS 2.65mm.



THIS DRAWING CONTAINS INFORMATION THAT IS PROPRIETARY TO MOLEX ELECTRONIC TECHNOLOGIES, LLC AND SHOULD NOT BE USED WITHOUT WRITTEN PERMISSION											
EC NO: 177599 DRWN: ABN CHKD: CYLAW REV: APPR: DWLE01	2017/12/14 2018/06/07 2018/06/19	GENERAL TOLERANCES (UNLESS SPECIFIED)		DIMENSION UNITS	SCALE						
		ANGULAR TOL ± 0.5 °		mm	4:1						
4 PLACES ±		DRWN BY		DATE		IMPEL DAUGHTERCARD ASSY 6 PAIR - 1.9MM PITCH UNGUIDED SALES DRAWING					
3 PLACES ±		JLAURX		2012/01/10							
2 PLACES ± 0.13		CHKD BY		DATE		PRODUCT CUSTOMER DRAWING					
1 PLACE ± 0.25		APPR BY		DATE							
0 PLACES ±		JLAURX		2012/05/18		SERIES	MATERIAL NUMBER	CUSTOMER			
DRAFT WHERE APPLICABLE MUST REMAIN WITHIN DIMENSIONS		DRAWING SIZE		THIRD ANGLE PROJECTION		171400	SEE CHART	GENERAL MARKET			
A5	REV	C				DOCUMENT NUMBER	DOC TYPE	DOC PART	SHEET NUMBER		
						SD-171400-0001	PSD	001	1 OF 2		

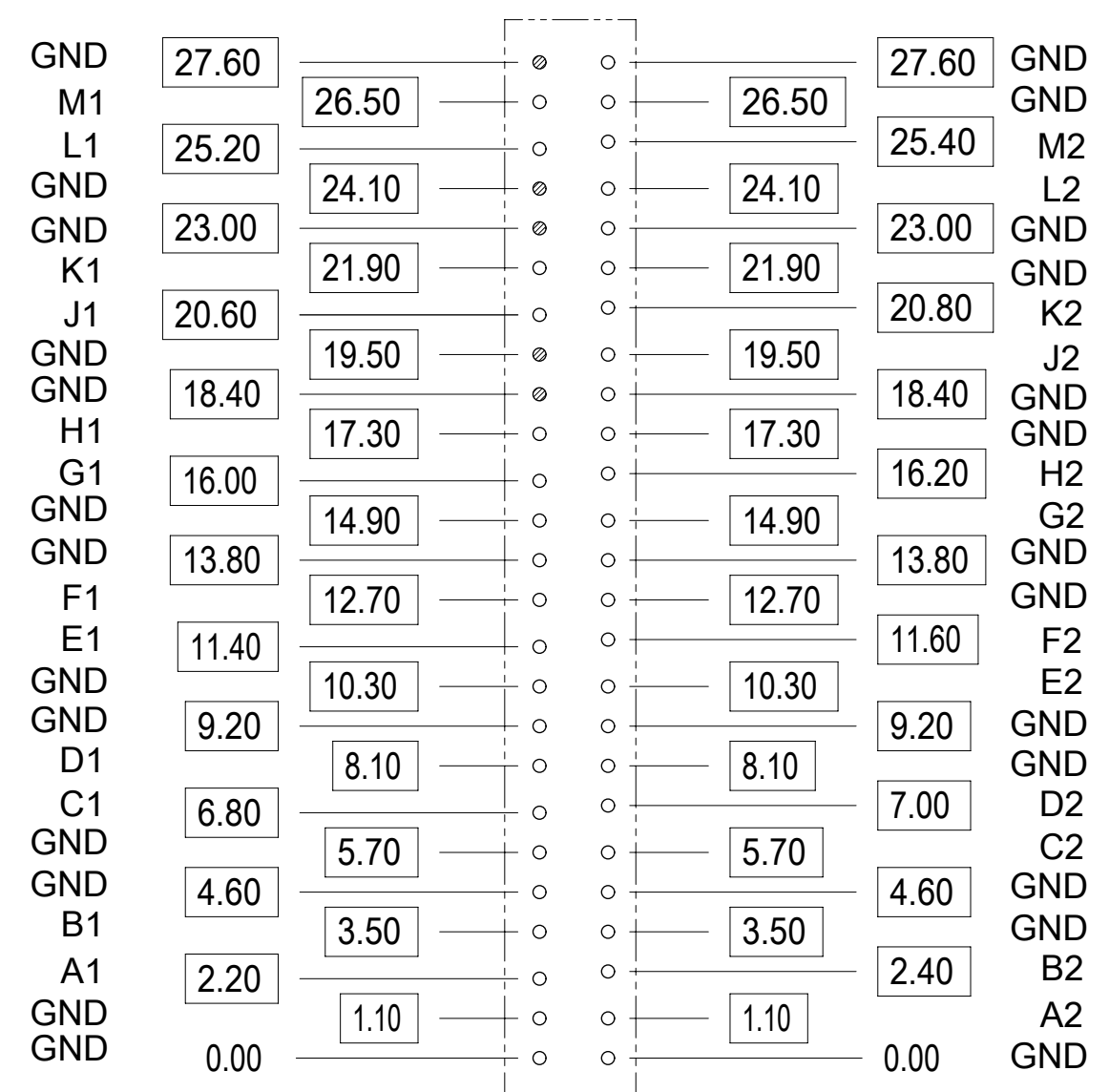
MATERIAL NUMBER	NUMBER OF COLUMNS	NUMBER OF DIFF PAIR	DIM "A"	DIM "B"
171400-1038	8	48	15.95 MAX	13.30
171400-1020	10	60	19.75 MAX	17.10
171400-1022	12	72	23.55 MAX	20.90
171400-1026	16	96	31.15 MAX	28.50

171400 - 10**

MODULE TYPE
1 = UNGUIDE

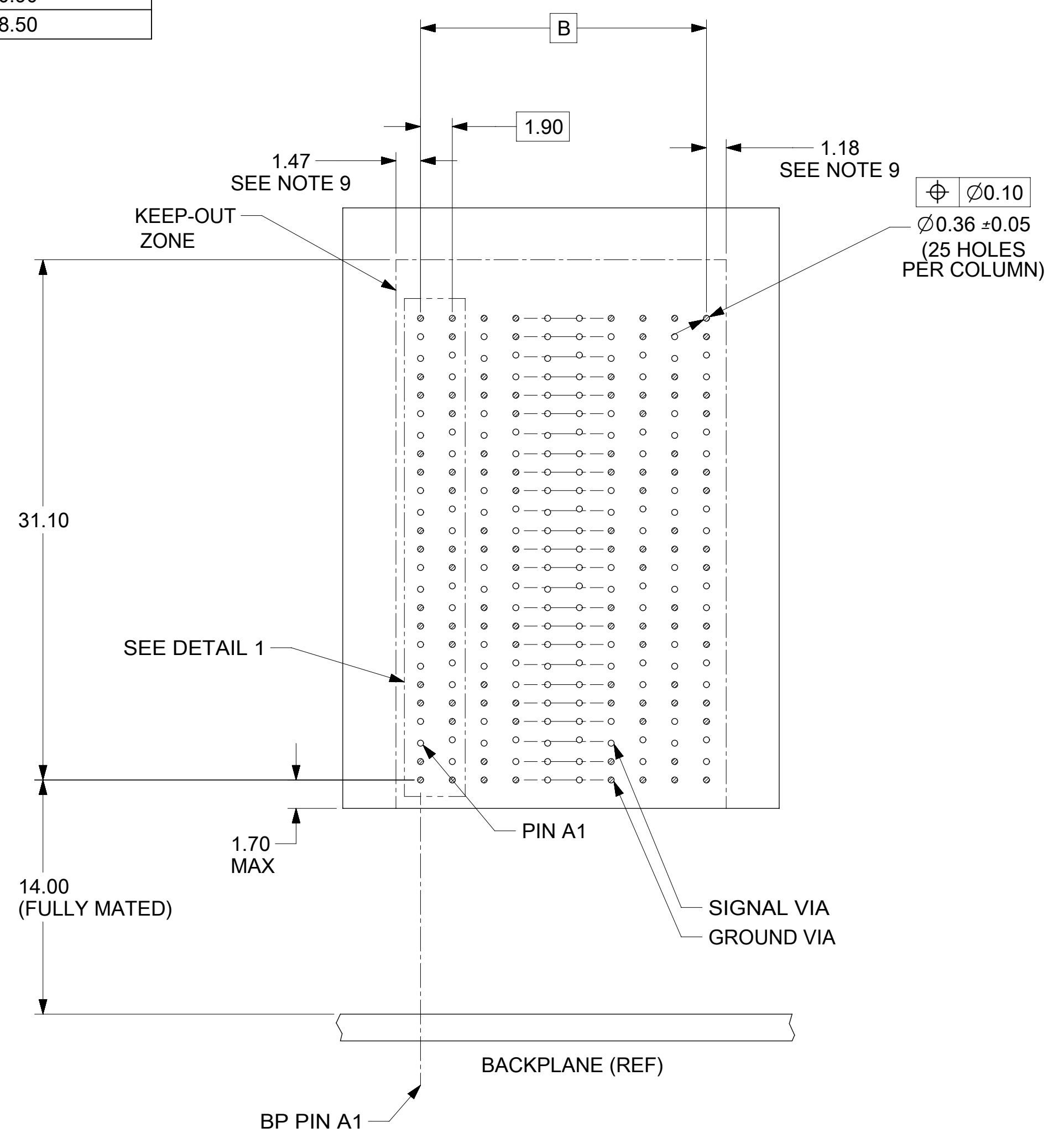
KEY ORIENTATION
0 = NO KEY

OF COLUMNS
38 = 8 COL
20 = 10 COL
22 = 12 COL
26 = 16 COL



ODD COLUMN DIMENSIONS EVEN COLUMN DIMENSIONS

DETAIL 1
SCALE 5:1



DAUGHTERCARD HOLE PATTERN (CONNECTOR SIDE)

THIS DRAWING CONTAINS INFORMATION THAT IS PROPRIETARY TO MOLEX ELECTRONIC TECHNOLOGIES, LLC AND SHOULD NOT BE USED WITHOUT WRITTEN PERMISSION

EC NO: 177599 DRWN: ABN CHKD: CYLAW REV APPR: DWLE01	2017/12/14 2018/06/07 2018/06/19	GENERAL TOLERANCES (UNLESS SPECIFIED) ANGULAR TOL ± 0.5 ° 4 PLACES ± 3 PLACES ± 2 PLACES ± 0.13 1 PLACE ± 0.25 0 PLACES ±	DIMENSION UNITS: mm SCALE: 1:1 DRWN BY: JLAURX DATE: 2012/01/10 CHK'D BY: DATE APPR BY: JLAURX DATE: 2012/05/18	molex IMPEL DAUGHTERCARD ASSY 6 PAIR - 1.9MM PITCH UNGUIDED SALES DRAWING
	PRODUCT CUSTOMER DRAWING		SERIES: 171400 MATERIAL NUMBER: SEE CHART CUSTOMER: GENERAL MARKET	
	DRAFT WHERE APPLICABLE MUST REMAIN WITHIN DIMENSIONS		DRAWING SIZE: C THIRD ANGLE PROJECTION	DOCUMENT NUMBER: SD-171400-0001 DOC TYPE: PSD DOC PART: 001 SHEET NUMBER: 2 OF 2
	RELEASE STATUS: P1 RELEASE DATE: 2018/06/19 03:31:31			