

Chassis Mount

A41 Series

All-4-One™ International Transformers

International Standards at Lower Cost and Better Performance

Designed to provide the high isolation, creepage and clearance necessary to comply with international safety.



General Specifications

- Power - 25 VA to 175 VA
- Dielectric Strength - 4000 Vrms Hipot
- Primaries - Dual primaries (115/230 V - 50/60 Hz)
- Dual Secondaries - Series or parallel
- Terminals - Solder lug / quick connect type terminals
- Leakage - Current meets UL 60601-1, IEC/EN 60601-1
- Insulation - Class F (155° C)
- Flammability Rating - Bobbin and shroud material meet UL 94-V0

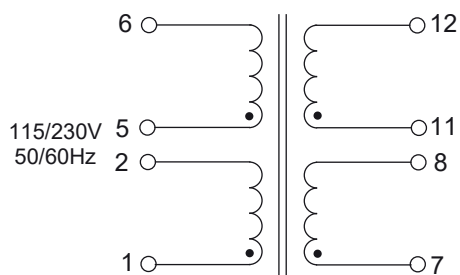
Agency Certifications

- UL 1446 UL File # E66312
- UL recognized to UL 506 / UL 5085-2, File # E63829
- CSA certified to C22.2 No 66.1, File # 221070
- VDE certified to VDE 0868 / EN 62368, File # 1448
- CE Compliance VDE Declaration of Conformity LVD 2014/35/EU

Part Number Selection

Part Number	VA	Secondary RMS Rating	
	Size	Series	Parallel
A41-25-10	25	10.0 VCT @ 2.5 A	5.0 V @ 5.0 A
A41-43-10	43	10.0 VCT @ 4.3 A	5.0 V @ 8.6 A
A41-80-10	80	10.0 VCT @ 8.0 A	5.0 V @ 16.0 A
A41-130-10	130	10.0 VCT @ 13.0 A	5.0 V @ 26.0 A
A41-175-10	175	10.0 VCT @ 17.5 A	5.0 V @ 35.0 A
A41-25-12	25	12.6 VCT @ 2.0 A	6.3 V @ 4.0 A
A41-43-12	43	12.6 VCT @ 3.4 A	6.3 V @ 6.8 A
A41-80-12	80	12.6 VCT @ 6.3 A	6.3 V @ 12.6 A
A41-130-12	130	12.6 VCT @ 10.3 A	6.3 V @ 20.6 A
A41-175-12	175	12.6 VCT @ 14.0 A	6.3 V @ 28.0 A
A41-25-16	25	16.0 VCT @ 1.6 A	8.0 V @ 3.2 A
A41-43-16	43	16.0 VCT @ 2.7 A	8.0 V @ 5.4 A
A41-80-16	80	16.0 VCT @ 5.0 A	8.0 V @ 10.0 A
A41-130-16	130	16.0 VCT @ 8.1 A	8.0 V @ 16.2 A
A41-175-16	175	16.0 VCT @ 11.0 A	8.0 V @ 22.0 A
A41-25-20	25	20.0 VCT @ 1.25 A	10 V @ 2.5 A
A41-43-20	43	20.0 VCT @ 2.2 A	10 V @ 4.4 A
A41-80-20	80	20.0 VCT @ 4.0 A	10 V @ 8.0 A
A41-130-20	130	20.0 VCT @ 6.5A	10 V @ 13.0 A
A41-175-20	175	20.0 VCT @ 8.8A	10 V @ 17.6 A

Part Number	VA	Secondary RMS Rating	
	Size	Series	Parallel
A41-25-24	25	24.0 VCT @ 1.0 A	12.0 V @ 2.0 A
A41-43-24	43	24.0 VCT @ 1.8 A	12.0 V @ 3.6 A
A41-80-24	80	24.0 VCT @ 3.3 A	12.0 V @ 6.6 A
A41-130-24	130	24.0 VCT @ 5.4 A	12.0 V @ 10.8 A
A41-175-24	175	24.0 VCT @ 7.3 A	12.0 V @ 14.6 A
A41-25-28	25	28.0 VCT @ 0.9 A	14.0 V @ 1.86 A
A41-43-28	43	28.0 VCT @ 1.5 A	14.0 V @ 3.0 A
A41-80-28	80	28.0 VCT @ 2.8 A	14.0 V @ 5.6 A
A41-130-28	130	28.0 VCT @ 4.6 A	14.0 V @ 9.2 A
A41-175-28	175	28.0 VCT @ 6.25 A	14.0 V @ 12.5 A
A41-25-36	25	36.0 VCT @ 0.7 A	18.0 V @ 1.4 A
A41-43-36	43	36.0 VCT @ 1.2 A	18.0 V @ 2.4 A
A41-80-36	80	36.0 VCT @ 2.2 A	18.0 V @ 4.4 A
A41-130-36	130	36.0 VCT @ 3.6 A	18.0 V @ 7.2 A
A41-175-36	175	36.0 VCT @ 4.8 A	18.0 V @ 9.6 A
A41-25-230	25	230 VCT @ 0.11 A	115 V @ 0.22 A
A41-43-230	43	230 VCT @ 0.19 A	115 V @ 0.38 A
A41-80-230	80	230 VCT @ 0.35 A	115 V @ 0.7 A
A41-130-230	130	230 VCT @ 0.57 A	115 V @ 1.14 A
A41-175-230	175	230 VCT @ 0.76 A	115 V @ 1.52 A



• Indicates like polarity

Note:

VDE certified A41 Series transformers with standard length and color lead wires are readily available. See website for our A41-L product series.



Custom versions available upon request.

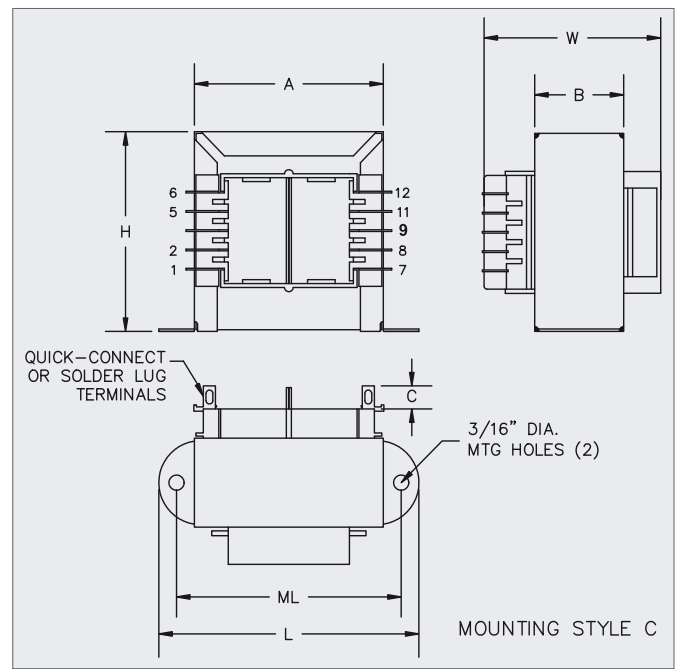
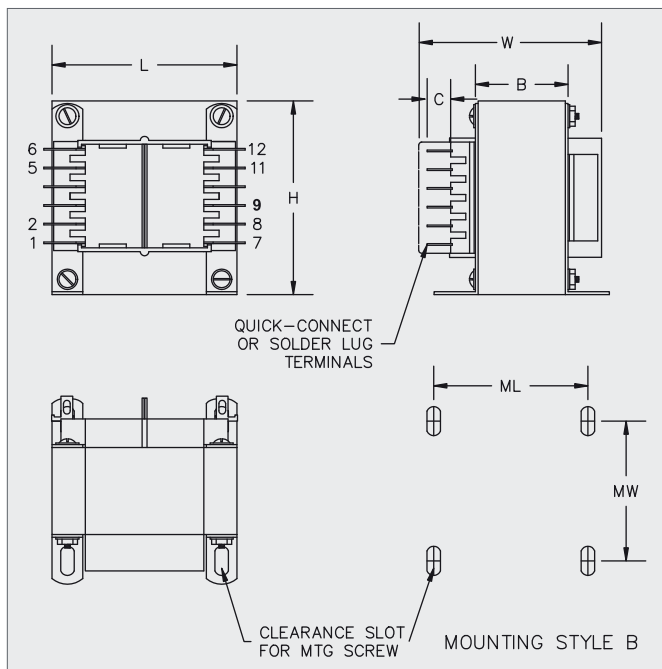


128 Atlantic Avenue, Lynbrook, NY 11563
 Toll Free 866-239-5777 | Tel 516-239-5777 | Fax 516-239-7208
 sales@signaltransformer.com | techhelp@signaltransformer.com

belfuse.com/signal

Mechanical Specifications

VA	Mechanical Dimensions						Terminals	Mounting Style	Mounting Dimensions		Mounting Screw	Weight
	L	W	H	A	B	C			ML	MW		
Size	Inches (mm)						Inches (mm)					lbs (kg)
25	2.81 (71.4)	2.14 (54.4)	2.31 (58.7)	2.00 (50.8)	1.12 (28.6)	.31 (7.9)	.187 (4.75)	C	2.37 (60.3)	—	#6	1.25 (0.57)
43	3.12 (79.4)	2.14 (54.4)	2.68 (68.2)	2.25 (57.2)	1.12 (28.6)	.31 (7.9)	.187 (4.75)	C	2.81 (71.4)	—	#6	1.6 (0.73)
80	2.50 (63.5)	2.52 (64.3)	3.06 (77.7)	—	1.37 (35.0)	.31 (7.9)	.187 (4.75)	B	2.00 (50.8)	2.25 (57.2)	#6	2.8 (1.27)
130	2.81 (71.4)	3.00 (76.2)	3.37 (85.7)	—	1.62 (41.3)	.37 (9.5)	0.25 (6.35)	B	2.25 (57.2)	2.50 (63.5)	#8	4.1 (1.86)
175	3.12 (79.4)	3.14 (79.7)	3.75 (95.3)	—	1.62 (41.3)	.37 (9.5)	0.25 (6.35)	B	2.50 (63.5)	2.50 (63.5)	#8	5.5 (2.49)



Custom versions available upon request.



128 Atlantic Avenue, Lynbrook, NY 11563
 Toll Free 866-239-5777 | Tel 516-239-5777 | Fax 516-239-7208
 sales@signaltransformer.com | techhelp@signaltransformer.com

belfuse.com/signal