

ADSL Magnetics



TM02389

- Minimum interwinding breakdown voltage of 1000 Vdc
- Operating and storage temperature range: -40° to +85° C
- Meets IEC 695, 2-2 flammability requirements
- PWB Process Capability: standard printed wiring board assembly techniques, total-immersion cleaning
- Reliability testing: shock, vibration, temperature cycling, temperature - humidity - bias

ELECTRICAL SPECIFICATIONS AT 25° C

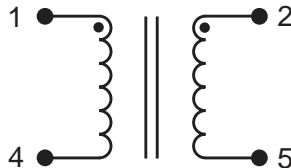
Part Number	Turns Ratio ±2%	Inductance ¹ mH ±4%	Inductance mH ±4%	DCR Ω max	
	(1-4) : (2-5)	(1-5)	at 300 mA DC	(1-4)	(2-5)
0560-6100-A2	1 : 1	10	10	6.5	6.5

All measurements are made with pins 2 and 4 connected

1. Inductance measured at 10 kHz, 0.1 Vac

SCHEMATIC

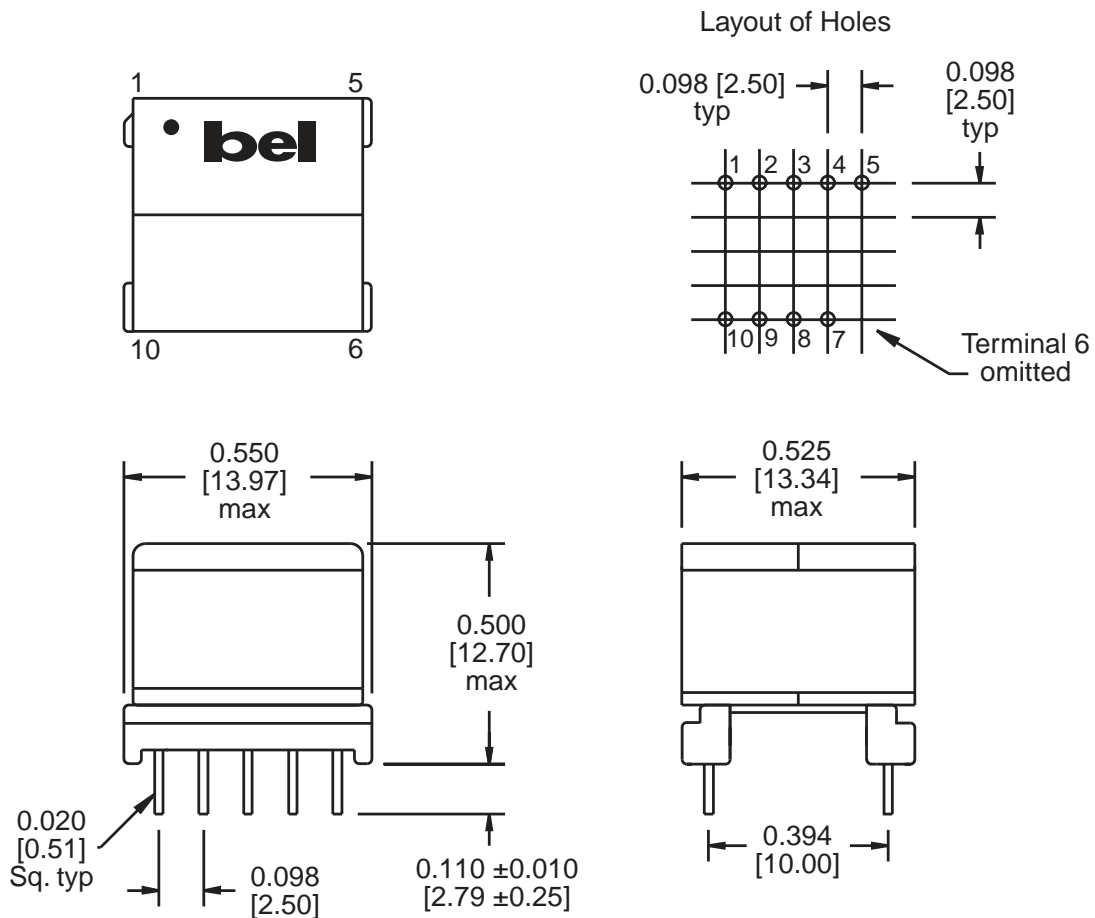
0560-6100-A2



TM02389

MECHANICAL

0560-6100-A2



Dimensions are in inches [millimeters].
Standard dimension tolerance is ± 0.005 [0.13] unless otherwise noted.

©2002 Bel Fuse Inc. Specifications subject to change without notice. 01.02

CORPORATE

Bel Fuse Inc.
206 Van Vorst Street
Jersey City, NJ 07302
Tel 201-432-0463
Fax 201-432-9542
www.belfuse.com

FAR EAST

Bel Fuse Ltd.
8F / 8 Luk Hop Street
San Po Kong
Kowloon, Hong Kong
Tel 852-2328-5515
Fax 852-2352-3706
www.belfuse.com

EUROPE

Bel Fuse Europe Ltd.
Preston Technology Management Centre
Marsh Lane, Suite G7, Preston
Lancashire, PR1 8UD, U.K.
Tel 44-1772-556601
Fax 44-1772-888366
www.belfuse.com