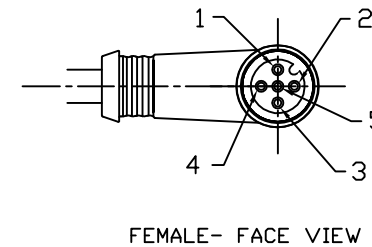
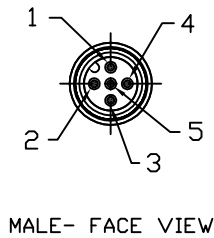
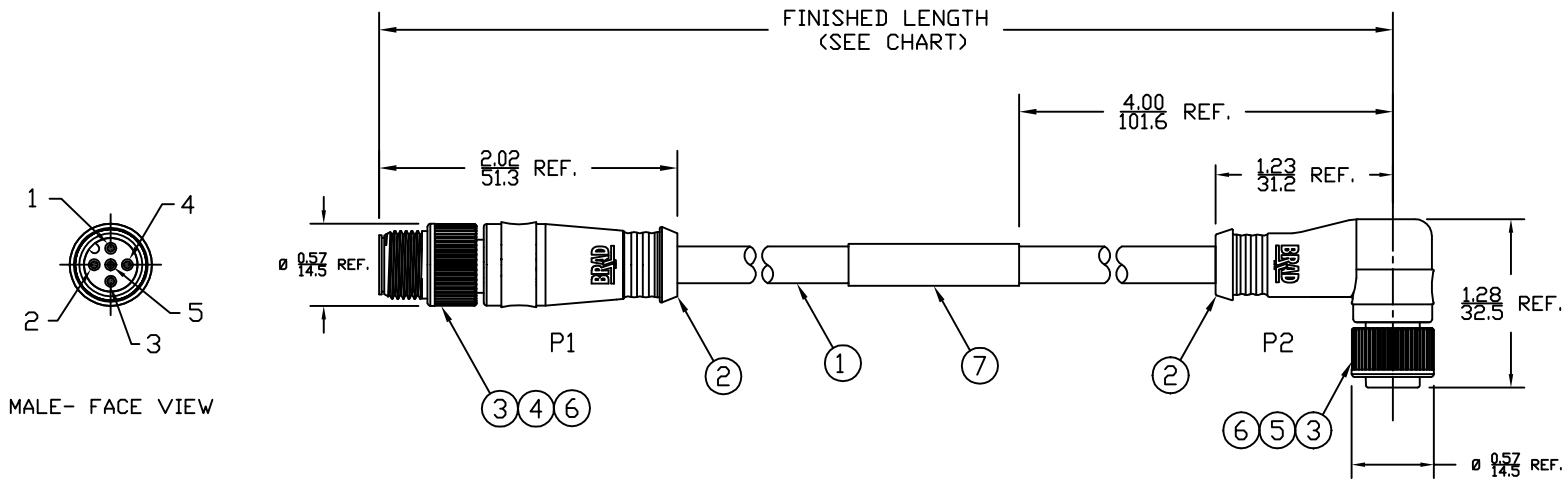
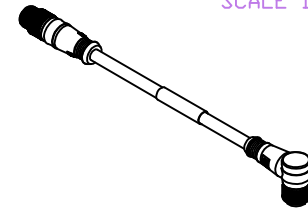


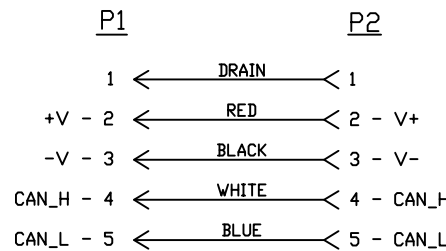
PART NUMBER	ENGINEERING NO.	LENGTH ± TOLERANCE
1300280172	DNDF32A-M010	3' 3" +2.19"/-0" [1M +55.6/-0 mm]
1300280244	DNDF32A-M030	9' 10" +3.50"/-0" [3M +88.9/-0 mm]
1300280178	DNDF32A-M050	16' 5" +6.50"/-0" [5M +165.1/-0 mm]

AUX VIEW
SCALE 1:4



NOTES:

- MATERIAL: SEE TABLE
- FINISHES: SEE TABLE
- CABLE: #22/2, #24/2 + DRAIN, DEVICENET THIN HIGH FLEX
EACH PAIR: SHIELDED, TWISTED
OVERALL: SHIELDED, PVC
- ELECTRICAL DATA:
MAX. VOLTAGE: 250V AC/DC
MAX. CURRENT 4A
- ENVIRONMENTAL:
PROTECTION IP67
TEMPERATURE RANGE: -20°C TO 80°C
- WRAP LABEL IS MARKED WITH P/N, DATE CODE,
VOLTAGE & AMPERAGE.
- ASSEMBLY IS RoHS COMPLIANT.



SCHEMATIC

ITEM	QTY.	DESCRIPTION	MATERIAL	FINISH
7	1	LABEL	PLASTIC FILM	BLACK/YELLOW
6	2	INSERT	NYLON	BLACK
5	5	SOCKET CONTACT	COPPER ALLOY	GOLD PLATED
4	5	PIN CONTACT	COPPER ALLOY	GOLD PLATED
3	2	M12 COUPLING NUT	ZINC DIE-CAST	BLACK
2	2	OVERMOLD	TPE	GRAY
1	1	DEVICENET CABLE	TPE JACKET	GRAY

SD RELEASE	8/5/09	DESCRIPTION
	EC NO: WNA2010-0076	
	DRWN: VOU	
	CHKD: BWOODMAN	
	APPR: JFMURPHY	2009/08/10
A		

	GENERAL TOLERANCES (UNLESS SPECIFIED)	
	mm	INCH
4 PLACES	±---	±---
3 PLACES	±---	±.005
2 PLACES	±---	±.010
1 PLACE	±---	±.020
ANGULAR ±1/2°		
DRAFT WHERE APPLICABLE MUST REMAIN WITHIN DIMENSIONS		

DIMENSION STYLE		SCALE	DESIGN UNITS	THIRD ANGLE PROJECTION
IN/MM		3:4	INCH	
DRAWN BY	DATE	TITLE		
VOU	2009/07/30	M12 DEVICENET CABLE ASSY		
CHECKED BY	DATE	5P MALE/FEM ST/90		
BWOODMAN	2009/07/31	#22/2 24/2 TPE -THIN FLX		
APPROVED BY	DATE	MOLEX INCORPORATED		
MATERIAL NO.		DOCUMENT NO.		SHEET NO.
SEE CHART		SD-130028-005		1 OF 1
SIZE	THIS DRAWING CONTAINS INFORMATION THAT IS PROPRIETARY TO MOLEX INCORPORATED AND SHOULD NOT BE USED WITHOUT WRITTEN PERMISSION			
A				

6

5

4

3

2

1