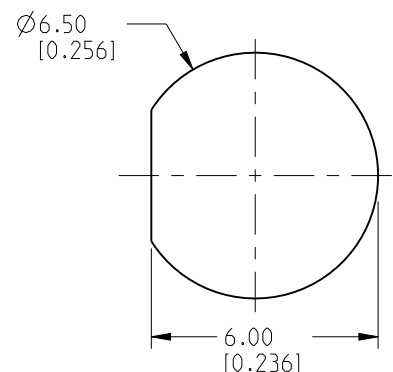


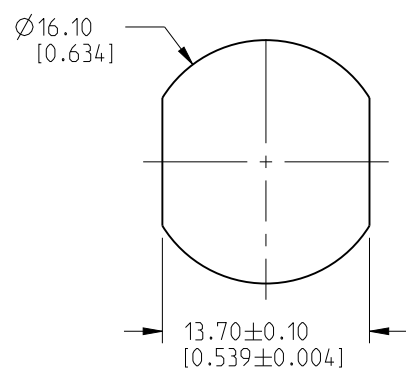
NOTES:

- 1. MATERIALS AND FINISHES:
SMA STR BHD JACK - BRASS, GOLD PLATING
N STR BHD JACK - BRASS, WHITE BRONZE PLATING
CABLE - RG 58
- 2. ELECTRICAL:
A. IMPEDANCE: 50 OHM
- 3. PACKAGING:
A. QUANTITY: SINGLE PACK
B. MARKING: BAG TO BE MARKED
"AMPHENOL RF, 95-902-527-XXX AND DATE CODE"

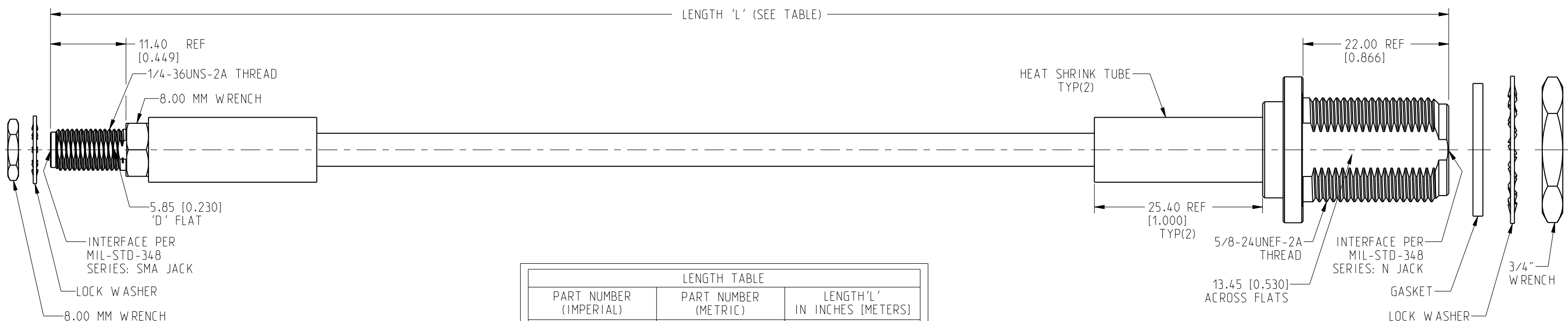
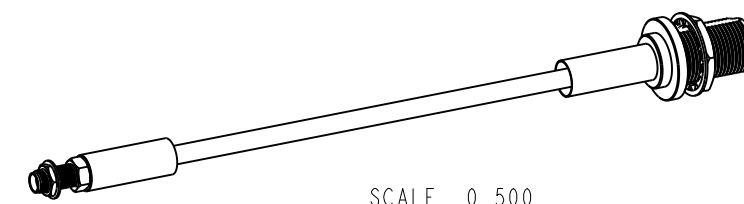
REVISIONS				
REV	DESCRIPTION	DATE	ECN	APPR
A	RELEASE TO MFG.	21-APR-20	15001	KR



RECOMMENDED MOUNTING HOLE DIMENSIONS FOR SMA



RECOMMENDED MOUNTING HOLE DIMENSIONS FOR N



LENGTH TABLE		
PART NUMBER (IMPERIAL)	PART NUMBER (METRIC)	LENGTH 'L' IN INCHES [METERS]
95-902-527-012	-	12.00 [0.305]
95-902-527-024	-	24.00 [0.610]
95-902-527-036	-	36.00 [0.914]
-	95-902-527M100	39.37 [1.000]
95-902-527-048	-	48.00 [1.219]
95-902-527-060	-	60.00 [1.524]
95-902-527-072	-	72.00 [1.829]
-	95-902-527M200	78.74 [2.000]
95-902-527-084	-	84.00 [2.134]
95-902-527-096	-	96.00 [2.438]
-	95-902-527M300	118.11 [3.000]

TOLERANCE TABLE	
LENGTH IN INCHES/FT [METERS]	TOLERANCE
0" - 23.90" [0 - 0.607]	±0.25" [0.006]
24.00" - 59.00" [0.610 - 1.499]	±0.50" [0.013]
5.0' - 24.9' [1.524 - 7.617]	±2.5%
25.0' & UP [7.620 & UP]	±5.0%

DESIGN REQUIREMENTS:

<input checked="" type="checkbox"/> FREQUENCY: DC - 3 GHz	<input checked="" type="checkbox"/> CONTINUITY
<input type="checkbox"/> VSWR: ---- 1 MAX.	<input checked="" type="checkbox"/> HI-POT: 750 VRMS
<input type="checkbox"/> INS. LOSS: ---- dB MAX.	<input type="checkbox"/> OTHER

CUSTOMER OUTLINE DRAWING
ALL OTHER SHEETS ARE FOR INTERNAL USE ONLY

NOTICE: These drawings, specifications, or other data (1) are, and remain the property of Amphenol corp. (2) must be returned upon request; and (3) are confidential and not to be disclosed to any person other than those to whom they are given by Amphenol Corp. The furnishing of these drawings, specifications, or other data by Amphenol Corp., or to any other person to anyone for any purpose is not to be regarded by implication or otherwise in any manner licensing, granting rights to permitting such holder or any other person to manufacture, use or sell any product, process or design, patented or otherwise, that may in any way be related to or disclosed by said drawings, specifications, or other data.		UNLESS OTHERWISE SPECIFIED DIMENSIONS ARE METRIC (INCHES) AND TOLERANCES ARE: <0.5mm = ±0.05mm [-0.020 = ±0.002] >0.5 - 6mm = ±0.1mm [±0.020 - 0.236 = ±0.004] >6.00 - 30mm = ±0.2mm [±0.236 - 1.181 = ±0.008] >30.00 - 120mm = ±0.3mm [±1.181 - 4.725 = ±0.012]		MATERIAL SEE NOTES		TITLE SMA STR BHD JACK TO N STR BHD JACK USING RG 58 CABLE VARIOUS LENGTH		Amphenol RF	
THIRD ANGLE PROJ. REFERENCE		ANGLES = ±1°		ENGINEER KARTHIK R		DATE 27-FEB-20		SHEET NO. 2 OF 2 SCALE: 1.7:1.0	
EAR# 9708								SIZE B DRAWING NO. 95-902-527-XXX REV A ITEM NO. 95-902-527-XXX PART NO. 95-902-527-XXX	