

Rochester Electronics Manufactured Components

Rochester branded components are manufactured using either die/wafers purchased from the original suppliers or Rochester wafers recreated from the original IP. All recreations are done with the approval of the OCM.

Parts are tested using original factory test programs or Rochester developed test solutions to guarantee product meets or exceed the OCM data sheet.

Quality Overview

- ISO-9001
- AS9120 certification
- Qualified Manufacturers List (QML) MIL-PRF-35835
 - Class Q Military
 - Class V Space Level
- Qualified Suppliers List of Distributors (QSLD)
 - Rochester is a critical supplier to DLA and meets all industry and DLA standards.

Rochester Electronics, LLC is committed to supplying products that satisfy customer expectations for quality and are equal to those originally supplied by industry manufacturers.

The original manufacturer's datasheet accompanying this document reflects the performance and specifications of the Rochester manufactured version of this device. Rochester Electronics guarantees the performance of its semiconductor products to the original OEM specifications. 'Typical' values are for reference purposes only. Certain minimum or maximum ratings may be based on product characterization, design, simulation, or sample testing.

LT1004-1.2, LT1004-2.5 MICROPOWER INTEGRATED VOLTAGE REFERENCES

SLVS022L – JANUARY 1989 – REVISED OCTOBER 2006

- **Initial Accuracy**
 - ± 4 mV for LT1004-1.2
 - ± 20 mV for LT1004-2.5
- **Micropower Operation**
- **Operates up to 20 mA**
- **Very Low Reference Impedance**
- **Applications:**
 - **Portable Meter Reference**
 - **Portable Test Instruments**
 - **Battery-Operated Systems**
 - **Current-Loop Instrumentation**

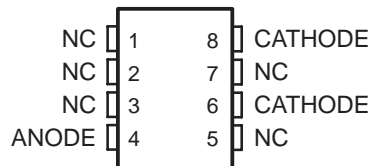
description/ordering information

The LT1004 micropower voltage reference is a two-terminal band-gap reference diode designed to provide high accuracy and excellent temperature characteristics at very low operating currents. Optimizing the key parameters in the design, processing, and testing of the device results in specifications previously attainable only with selected units.

The LT1004 is a pin-for-pin replacement for the LM285 and LM385 series of references, with improved specifications. It is an excellent device for use in systems in which accuracy previously was attained at the expense of power consumption and trimming.

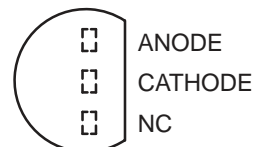
The LT1004C is characterized for operation from 0°C to 70°C. The LT1004I is characterized for operation from –40°C to 85°C.

D OR PW PACKAGE (TOP VIEW)



NC – No internal connection
Terminals 6 and 8 are internally connected.

LP PACKAGE (TOP VIEW)



NC – No internal connection



Please be aware that an important notice concerning availability, standard warranty, and use in critical applications of Texas Instruments semiconductor products and disclaimers thereto appears at the end of this data sheet.

PRODUCTION DATA information is current as of publication date. Products conform to specifications per the terms of Texas Instruments standard warranty. Production processing does not necessarily include testing of all parameters.

 **TEXAS
INSTRUMENTS**

POST OFFICE BOX 655303 • DALLAS, TEXAS 75265

Copyright © 2006, Texas Instruments Incorporated

LT1004-1.2, LT1004-2.5 MICROPOWER INTEGRATED VOLTAGE REFERENCES

SLVS022L – JANUARY 1989 – REVISED OCTOBER 2006

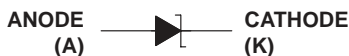
description/ordering information (continued)

ORDERING INFORMATION

TA	VZ TYP	PACKAGE†		ORDERABLE PART NUMBER	TOP-SIDE MARKING
0°C to 70°C	1.2 V	SOIC (D)	Tube of 75	LT1004CD-1-2	4C-12
			Reel of 2500	LT1004CDR-1-2	
		TO-226 / TO-92 (LP)	Ammo of 2000, formed lead	LT1004CLPM-1-2	1004C12
			Reel of 2000, formed lead	LT1004CLPR-1-2	
			Bulk of 1000, straight lead	LT1004CLP-1-2	
		TSSOP (PW)	Tube of 150	LT1004CPW-1-2	4C-12
	Reel of 2000		LT1004CPWR-1-2		
	2.5 V	SOIC (D)	Tube of 75	LT1004CD-2-5	4C-25
			Reel of 2500	LT1004CDR-2-5	
		TO-226 / TO-92 (LP)	Ammo of 2000, formed lead	LT1004CLPM-2-5	1004C25
			Reel of 2000, formed lead	LT1004CLPR-2-5	
			Bulk of 1000, straight lead	LT1004CLP-2-5	
TSSOP (PW)		Tube of 150	LT1004CPW-2-5	4C-25	
	Reel of 2000	LT1004CPWR-2-5			
-40°C to 85°C	1.2 V	SOIC (D)	Tube of 75	LT1004ID-1-2	4I-12
			Reel of 2500	LT1004IDR-1-2	
		TO-226 / TO-92 (LP)	Ammo of 2000, formed lead	LT1004ILPM-1-2	1004I12
			Reel of 2000, formed lead	LT1004ILPR-1-2	
			Bulk of 1000, straight lead	LT1004ILP-1-2	
		TSSOP (PW)	Tube of 150	LT1004IPW-1-2	4I-12
	Reel of 2000		LT1004IPWR-1-2		
	2.5 V	SOIC (D)	Tube of 75	LT1004ID-2-5	4I-25
			Reel of 2500	LT1004IDR-2-5	
		TSSOP (PW)	Tube of 150	LT1004IPW-2-5	4I-25
			Reel of 2000	LT1004IPWR-2-5	

† Package drawings, standard packing quantities, thermal data, symbolization, and PCB design guidelines are available at www.ti.com/sc/package.

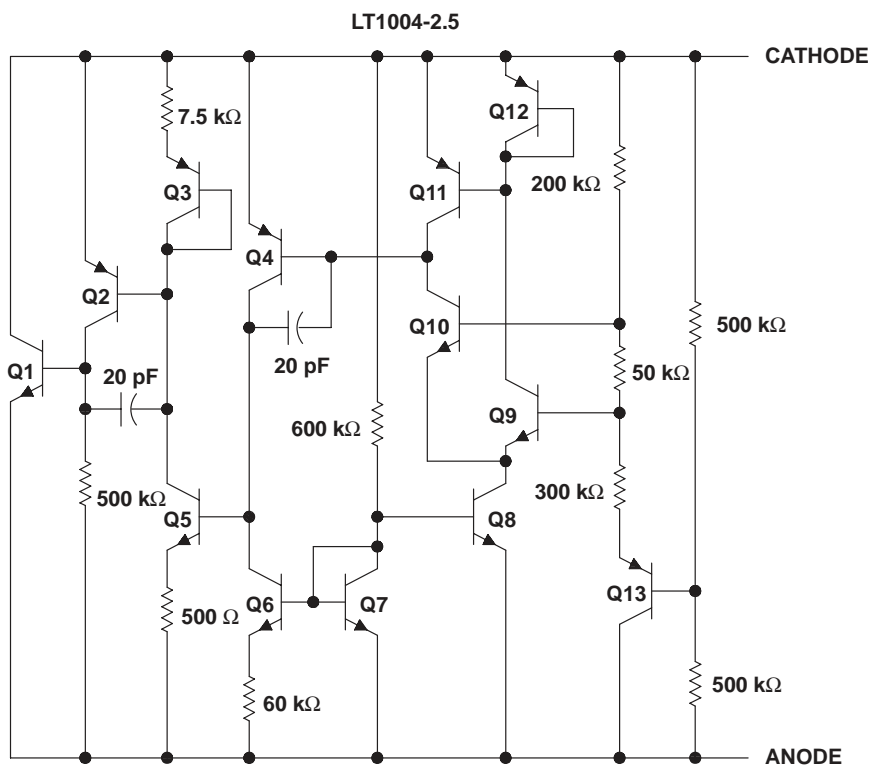
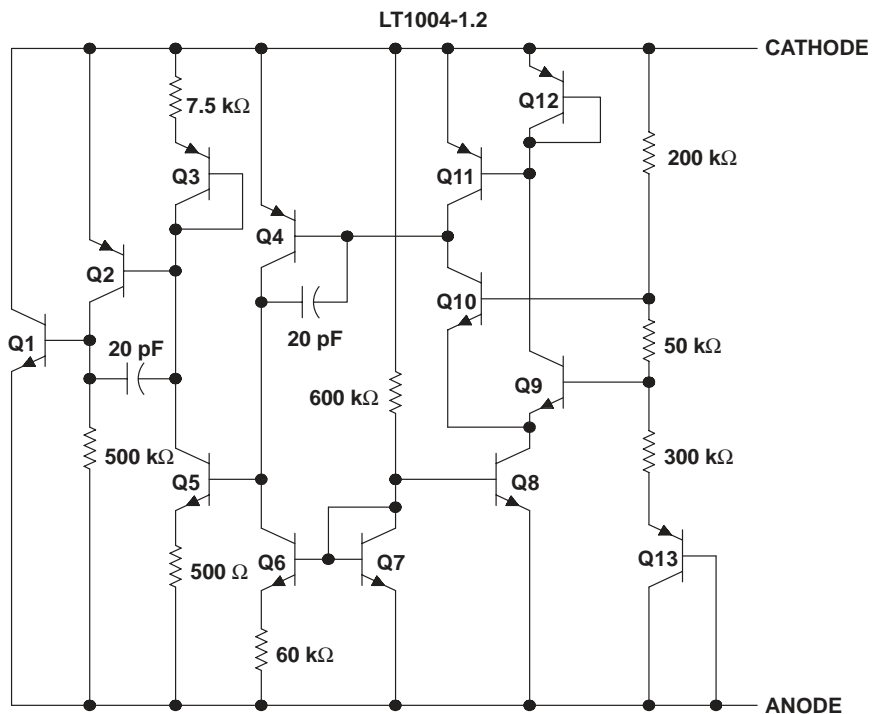
symbol



LT1004-1.2, LT1004-2.5 MICROPOWER INTEGRATED VOLTAGE REFERENCES

SLVS022L – JANUARY 1989 – REVISED OCTOBER 2006

schematic



NOTE A: All component values shown are nominal.

LT1004-1.2, LT1004-2.5 MICROPOWER INTEGRATED VOLTAGE REFERENCES

SLVS022L – JANUARY 1989 – REVISED OCTOBER 2006

absolute maximum ratings over operating free-air temperature range (unless otherwise noted)†

Reverse current, I_R	30 mA
Forward current, I_F	10 mA
Package thermal impedance, θ_{JA} (see Notes 1 and 2): D package	97°C/W
LP package	140°C/W
PW package	149°C/W
Operating virtual junction temperature, T_J	150°C
Lead temperature 1,6 mm (1/16 inch) from case for 10 seconds	260°C
Storage temperature range, T_{stg}	-65°C to 150°C

† Stresses beyond those listed under “absolute maximum ratings” may cause permanent damage to the device. These are stress ratings only, and functional operation of the device at these or any other conditions beyond those indicated under “recommended operating conditions” is not implied. Exposure to absolute-maximum-rated conditions for extended periods may affect device reliability.

NOTES: 1. Maximum power dissipation is a function of $T_{J(max)}$, θ_{JA} , and T_A . The maximum allowable power dissipation at any allowable ambient temperature is $P_D = (T_{J(max)} - T_A)/\theta_{JA}$. Operating at the absolute maximum T_J of 150°C can affect reliability.
2. The package thermal impedance is calculated in accordance with JESD 51-7.

recommended operating conditions

		MIN	MAX	UNIT	
T_A	Operating free-air temperature	LT1004C	0	70	°C
		LT1004I	-40	85	

electrical characteristics at specified free-air temperature

PARAMETER	TEST CONDITIONS	T_A ‡	LT1004-1.2			LT1004-2.5			UNIT	
			MIN	TYP	MAX	MIN	TYP	MAX		
V_Z	Reference voltage $I_Z = 100 \mu A$	25°C	1.231	1.235	1.239	2.48	2.5	2.52	V	
		Full range	LT1004C	1.225		1.245	2.47			2.53
			LT1004I	1.225		1.245	2.47			2.53
α_{V_Z}	Average temperature coefficient of reference voltage§ $I_Z = 10 \mu A$ $I_Z = 20 \mu A$	25°C	20			20			ppm/°C	
ΔV_Z	Change in reference voltage with current $I_Z = I_Z(min)$ to 1 mA $I_Z = 1$ mA to 20 mA	25°C	1			1			mV	
		Full range	1.5			1.5				
		25°C	10			10				
		Full range	20			20				
$\Delta V_Z/\Delta t$	Long-term change in reference voltage $I_Z = 100 \mu A$	25°C	20			20			ppm/khr	
$I_Z(min)$	Minimum reference current	Full range	8 10			12 20			μA	
z_Z	Reference impedance $I_Z = 100 \mu A$	25°C	0.2 0.6			0.2 0.6			Ω	
		Full range	1.5			1.5				
V_n	Broadband noise voltage $I_Z = 100 \mu A$, $f = 10$ Hz to 10 kHz	25°C	60			120			μV	

‡ Full range is 0°C to 70°C for the LT1004C and -40°C to 85°C for the LT1004I.

§ The average temperature coefficient of reference voltage is defined as the total change in reference voltage divided by the specified temperature range.



TYPICAL CHARACTERISTICS

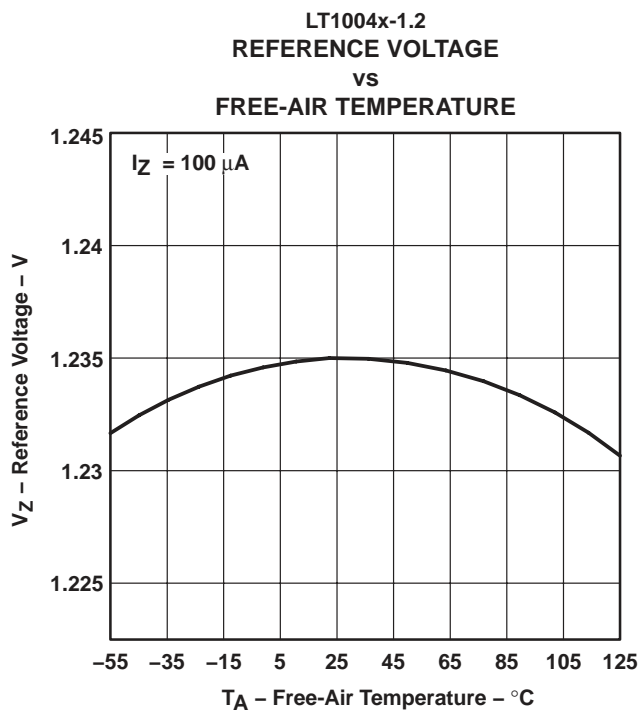
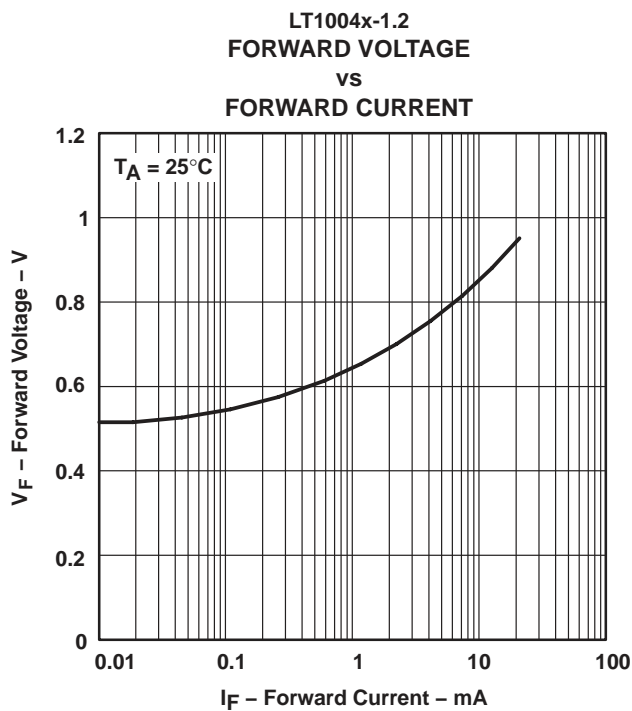
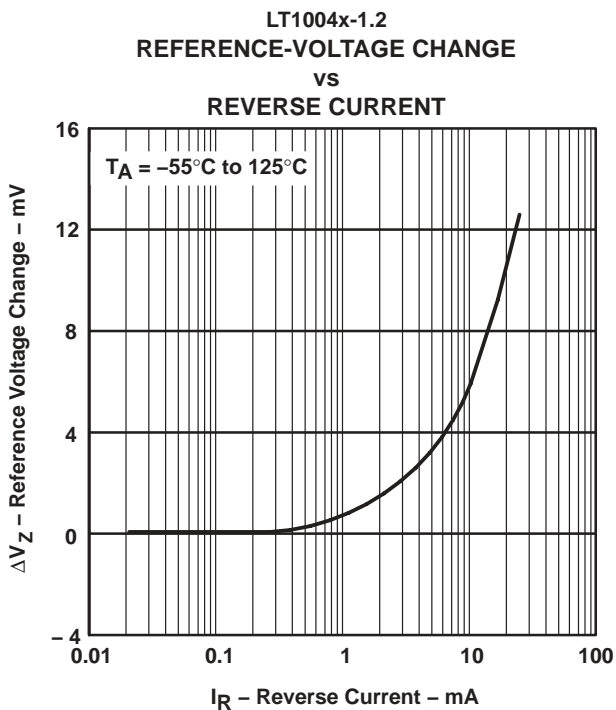
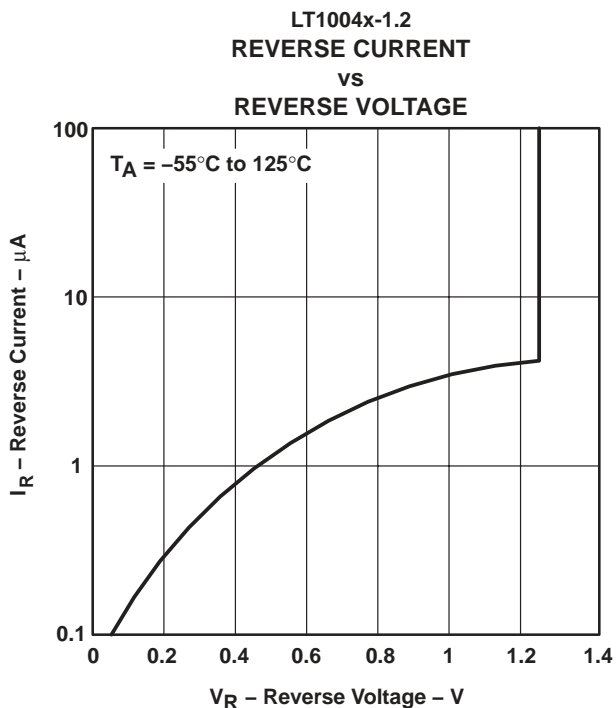
Table of Graphs

GRAPH TITLE	FIGURE
LT1004x-1.2	
Reverse current vs Reverse voltage	1
Reference-voltage change vs Reverse current	2
Forward voltage vs Forward current	3
Reference voltage vs Free-air temperature	4
Reference impedance vs Reference current	5
Noise voltage vs Frequency	6
Filtered output noise voltage vs Cutoff frequency	7
LT1004x-2.5	
Transient response	8
Reverse current vs Reverse voltage	9
Forward voltage vs Forward current	10
Reference voltage vs Free-air temperature	11
Reference impedance vs Reference current	12
Noise voltage vs Frequency	13
Filtered output noise voltage vs Cutoff frequency	14
Transient response	15

LT1004-1.2, LT1004-2.5 MICROPOWER INTEGRATED VOLTAGE REFERENCES

SLVS022L – JANUARY 1989 – REVISED OCTOBER 2006

TYPICAL CHARACTERISTICS†



† Data at high and low temperatures are applicable only within the rated operating free-air temperature ranges of the various devices.

TYPICAL CHARACTERISTICS†

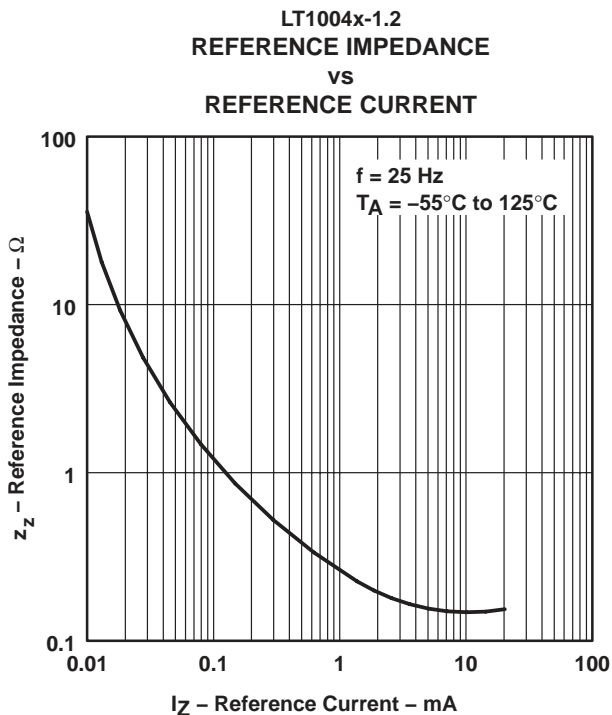


Figure 5

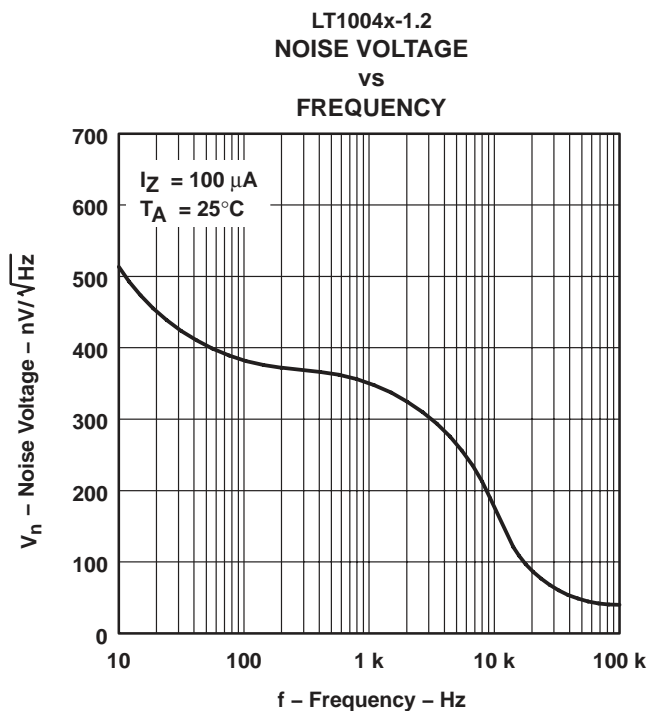


Figure 6

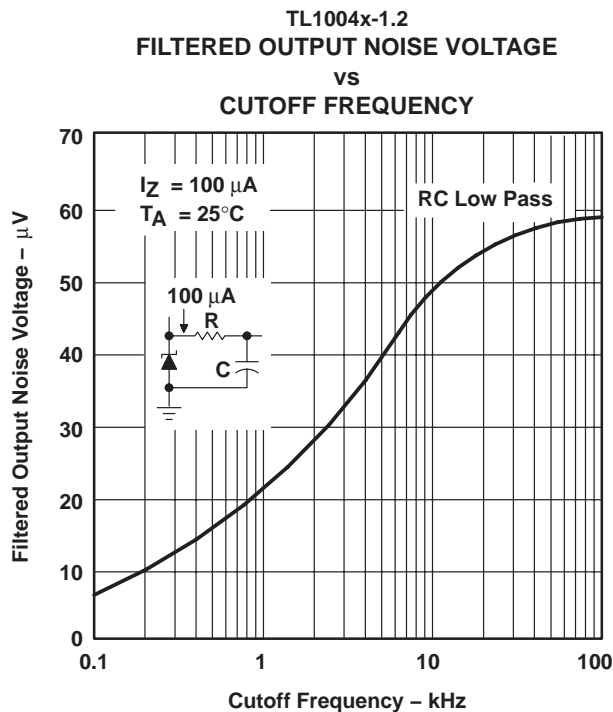


Figure 7

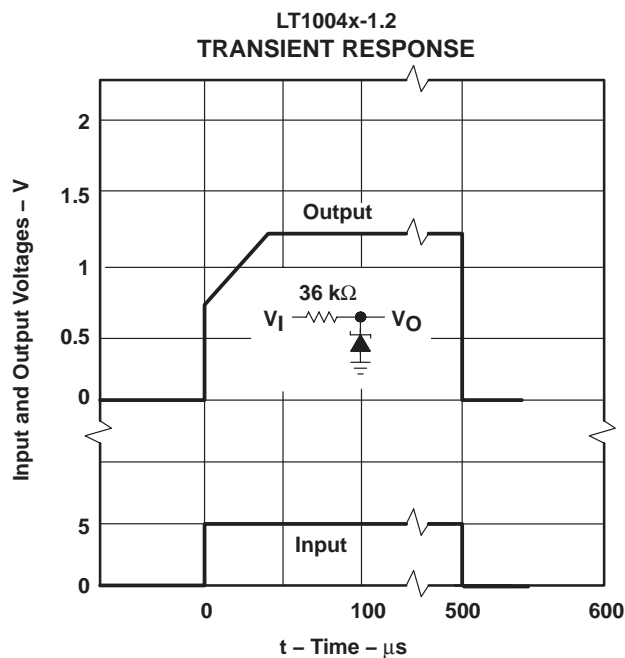


Figure 8

† Data at high and low temperatures are applicable only within the rated operating free-air temperature ranges of the various devices.

LT1004-1.2, LT1004-2.5 MICROPOWER INTEGRATED VOLTAGE REFERENCES

SLVS022L – JANUARY 1989 – REVISED OCTOBER 2006

TYPICAL CHARACTERISTICS†

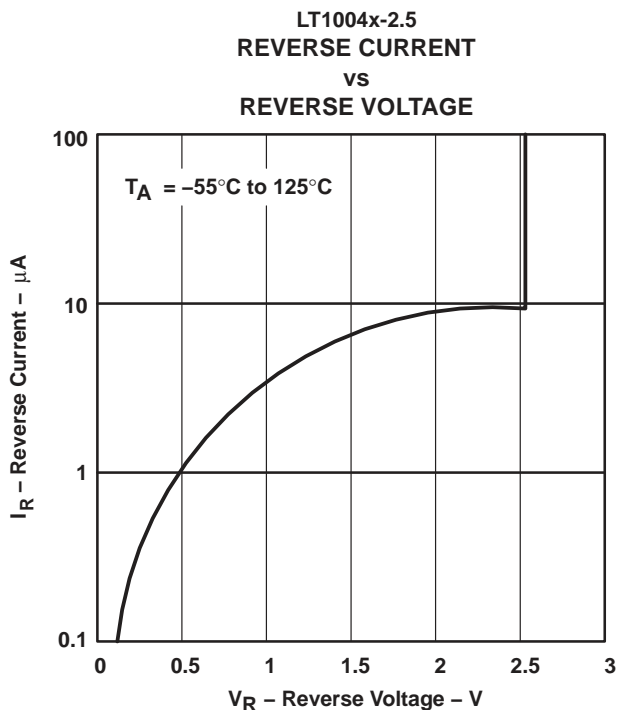


Figure 9

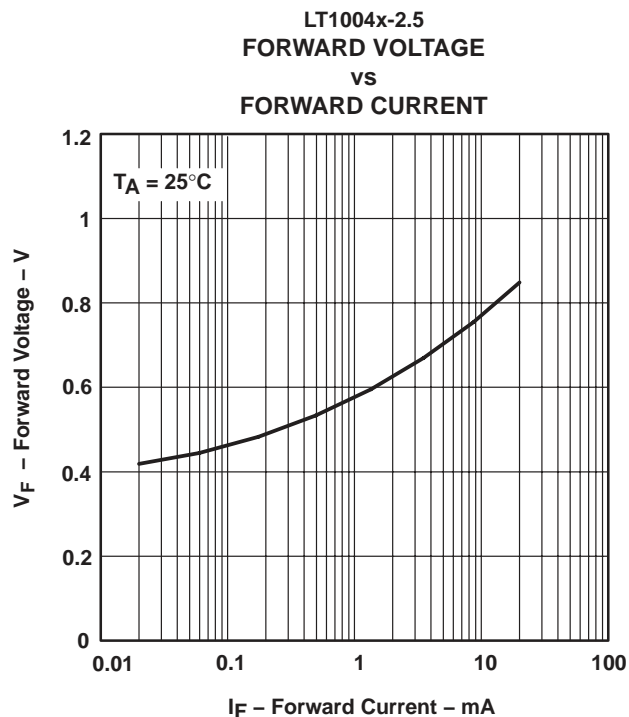


Figure 10

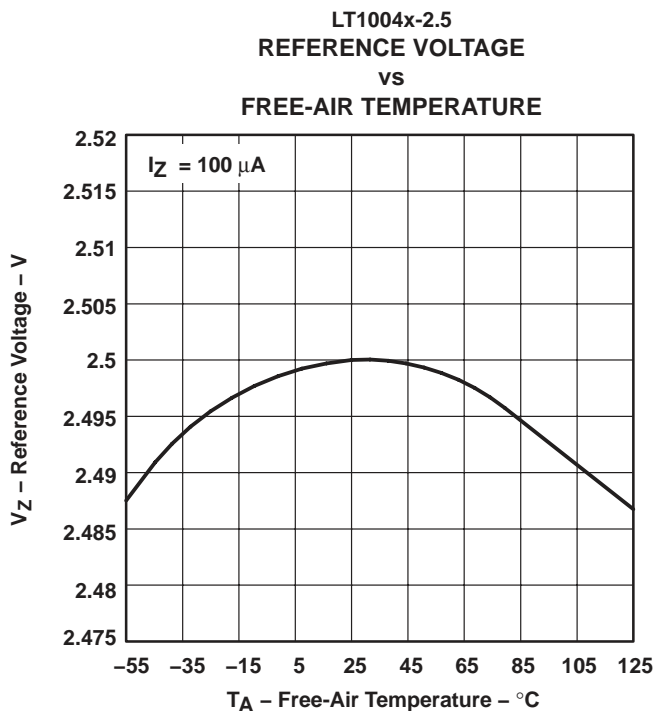
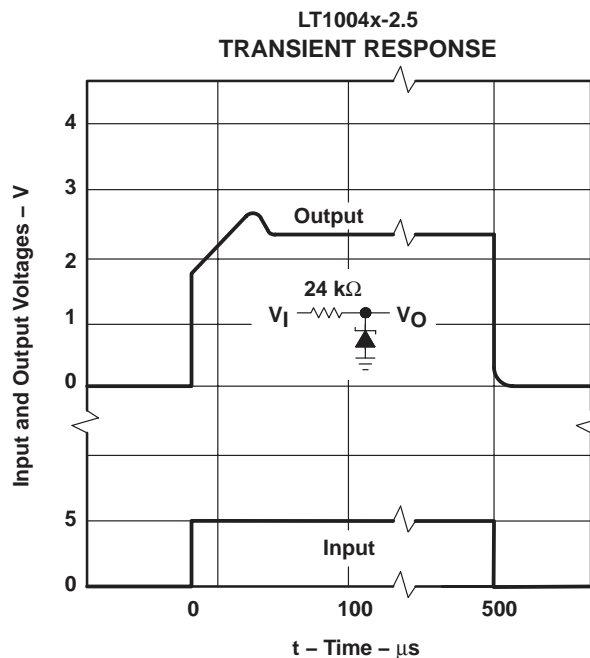
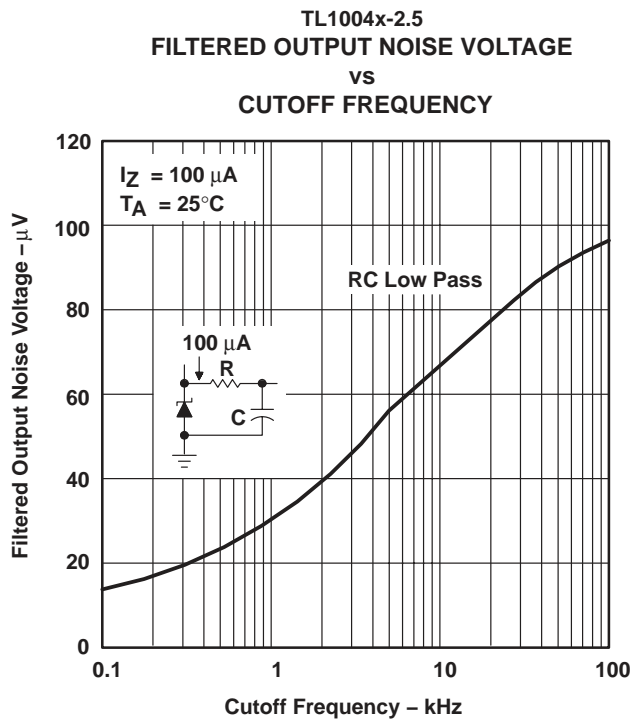
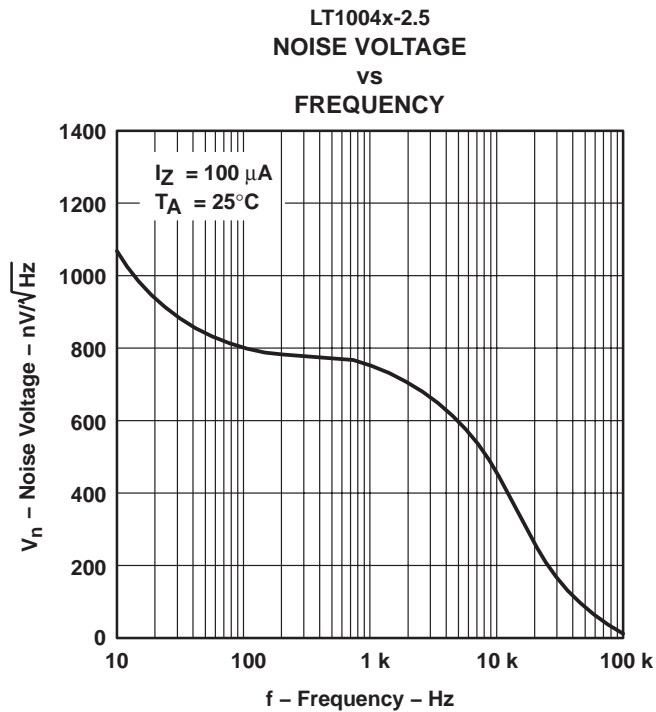
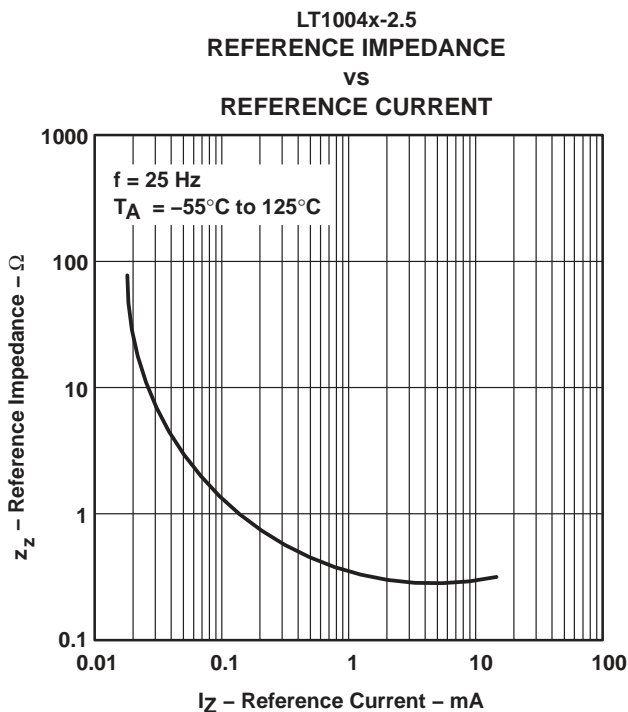


Figure 11

† Data at high and low temperatures are applicable only within the rated operating free-air temperature ranges of the various devices.

TYPICAL CHARACTERISTICS†

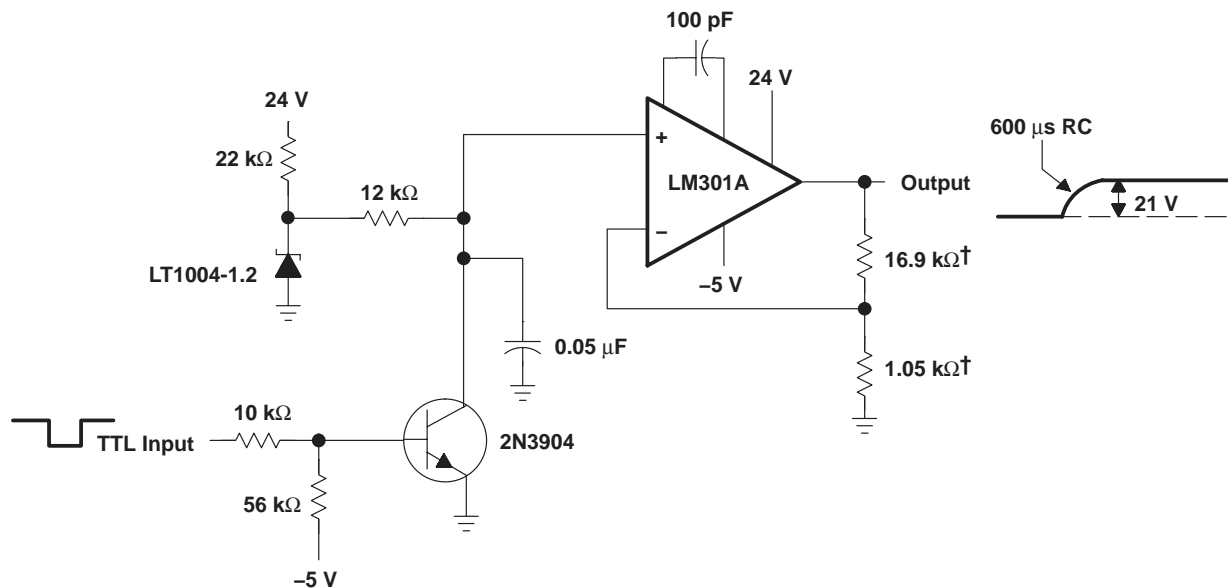


† Data at high and low temperatures are applicable only within the rated operating free-air temperature ranges of the various devices.

LT1004-1.2, LT1004-2.5 MICROPOWER INTEGRATED VOLTAGE REFERENCES

SLVS022L – JANUARY 1989 – REVISED OCTOBER 2006

APPLICATION INFORMATION



† 1% metal-film resistors

Figure 16. $V_{I(PP)}$ Generator for EPROMs (No Trim Required)

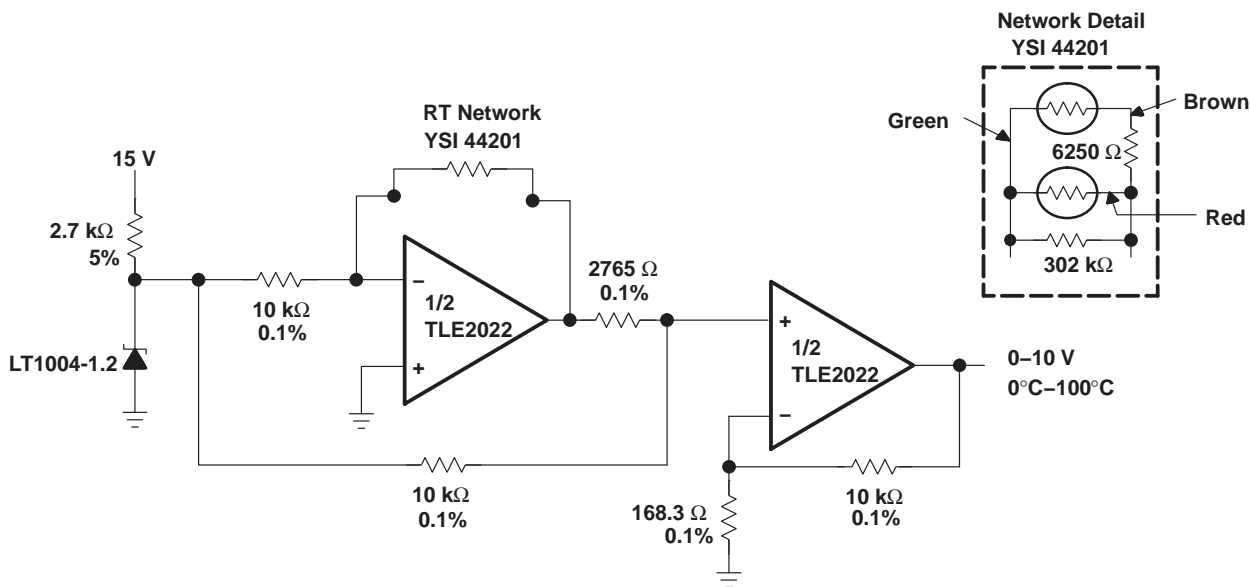


Figure 17. 0°C-to-100°C Linear-Output Thermometer

APPLICATION INFORMATION

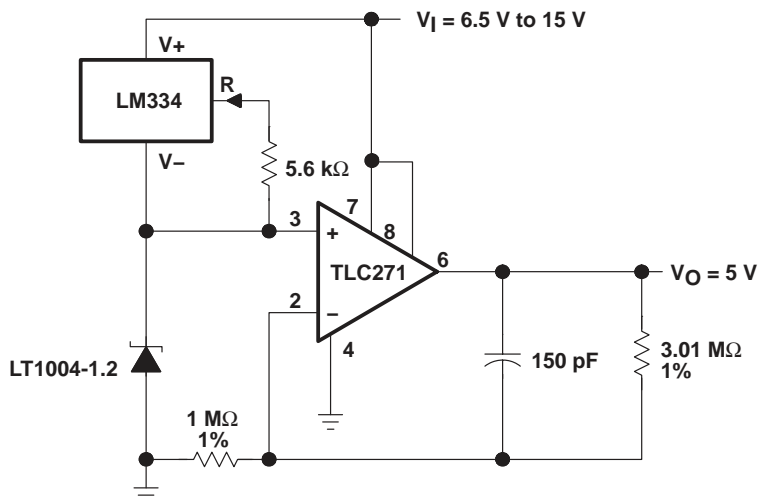


Figure 18. Micropower 5-V Reference

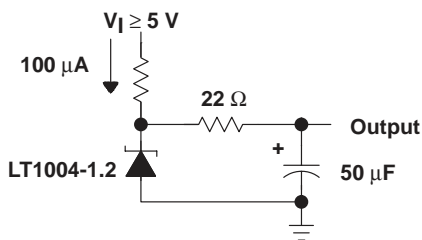


Figure 19. Low-Noise Reference

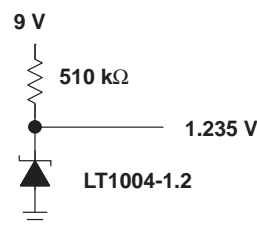
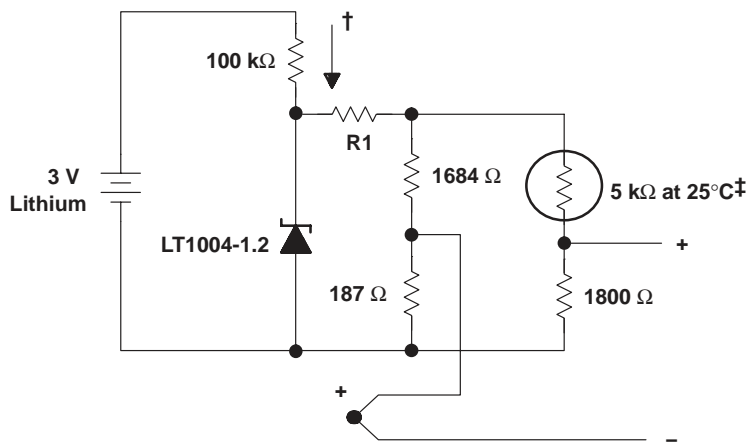


Figure 20. Micropower Reference From 9-V Battery



THERMOCOUPLE TYPE	R1
J	232 kΩ
K	298 kΩ
T	301 kΩ
S	2.1 MΩ

† Quiescent current $\cong 15 \mu\text{A}$

‡ Yellow Springs Inst. Co., Part #44007

NOTE A: This application compensates within $\pm 1^\circ\text{C}$ from 0°C to 60°C .

Figure 21. Micropower Cold-Junction Compensation for Thermocouples

LT1004-1.2, LT1004-2.5 MICROPOWER INTEGRATED VOLTAGE REFERENCES

SLVS022L – JANUARY 1989 – REVISED OCTOBER 2006

APPLICATION INFORMATION

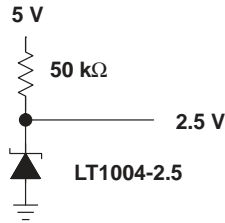


Figure 22. 2.5-V Reference

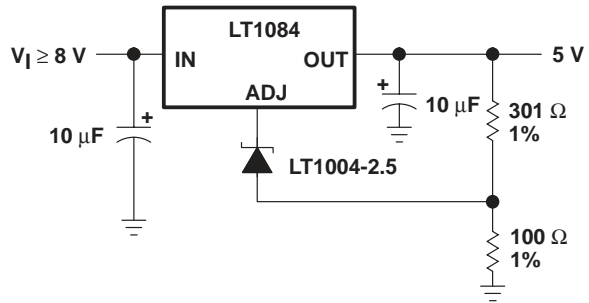
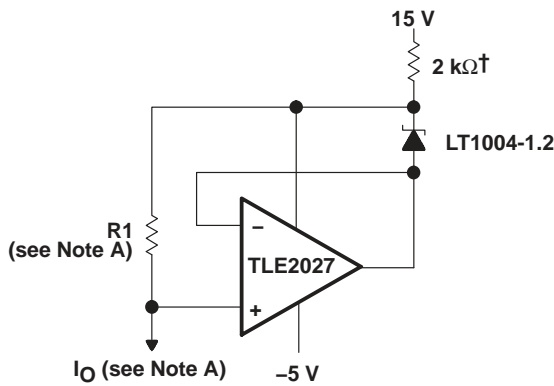


Figure 23. High-Stability 5-V Regulator



† May be increased for small output currents
NOTE A: $R1 \approx \frac{2V}{I_O + 10\mu A}$; $I_O = \frac{1.235V}{R1}$

Figure 24. Ground-Referenced Current Source

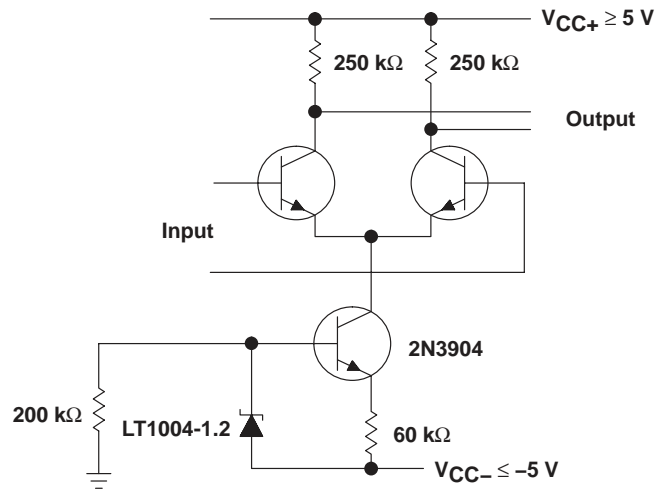
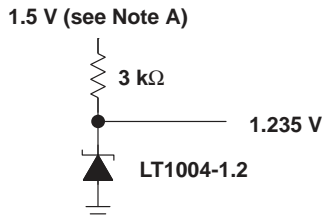


Figure 25. Amplifier With Constant Gain Over Temperature



NOTE A: Output regulates down to 1.285 V for $I_O = 0$.

Figure 26. 1.2-V Reference From 1.5-V Battery

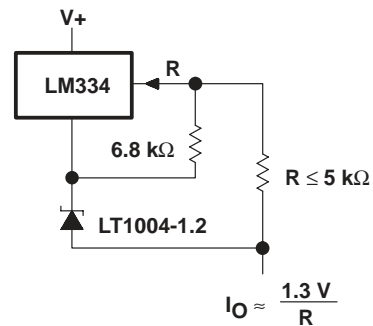
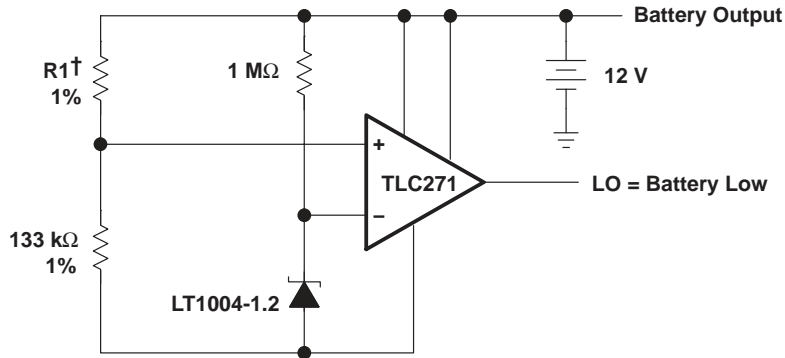


Figure 27. Terminal Current Source With Low Temperature Coefficient

APPLICATION INFORMATION



† R1 sets trip point, 60.4 kΩ per cell for 1.8 V per cell.

Figure 28. Lead-Acid Low-Battery-Voltage Detector

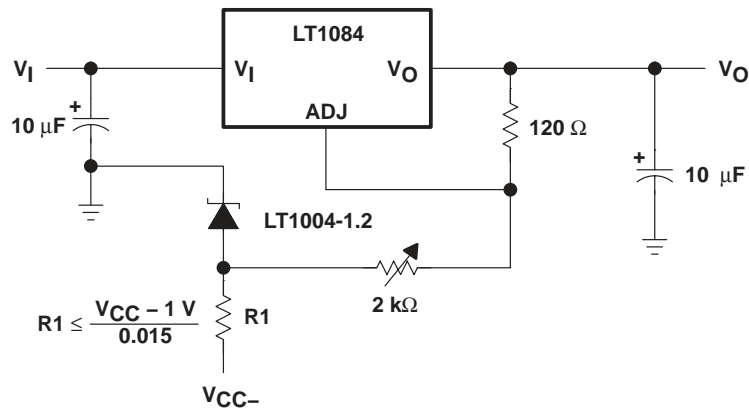


Figure 29. Variable-Voltage Supply

PACKAGING INFORMATION

Orderable Device	Status ⁽¹⁾	Package Type	Package Drawing	Pins	Package Qty	Eco Plan ⁽²⁾	Lead/Ball Finish	MSL Peak Temp ⁽³⁾
LT1004CD-1-2	ACTIVE	SOIC	D	8	75	Green (RoHS & no Sb/Br)	CU NIPDAU	Level-1-260C-UNLIM
LT1004CD-2-5	ACTIVE	SOIC	D	8	75	Green (RoHS & no Sb/Br)	CU NIPDAU	Level-1-260C-UNLIM
LT1004CD-2-5G4	ACTIVE	SOIC	D	8		TBD	Call TI	Call TI
LT1004CDE4-1-2	ACTIVE	SOIC	D	8	75	Green (RoHS & no Sb/Br)	CU NIPDAU	Level-1-260C-UNLIM
LT1004CDE4-2-5	ACTIVE	SOIC	D	8	75	Green (RoHS & no Sb/Br)	CU NIPDAU	Level-1-260C-UNLIM
LT1004CDG4-1-2	ACTIVE	SOIC	D	8	75	Green (RoHS & no Sb/Br)	CU NIPDAU	Level-1-260C-UNLIM
LT1004CDG4-2-5	ACTIVE	SOIC	D	8	75	Green (RoHS & no Sb/Br)	CU NIPDAU	Level-1-260C-UNLIM
LT1004CDR-1-2	ACTIVE	SOIC	D	8	2500	Green (RoHS & no Sb/Br)	CU NIPDAU	Level-1-260C-UNLIM
LT1004CDR-2-5	ACTIVE	SOIC	D	8	2500	Green (RoHS & no Sb/Br)	CU NIPDAU	Level-1-260C-UNLIM
LT1004CDRE4-1-2	ACTIVE	SOIC	D	8	2500	Green (RoHS & no Sb/Br)	CU NIPDAU	Level-1-260C-UNLIM
LT1004CDRE4-2-5	ACTIVE	SOIC	D	8	2500	Green (RoHS & no Sb/Br)	CU NIPDAU	Level-1-260C-UNLIM
LT1004CDRG4-1-2	ACTIVE	SOIC	D	8	2500	Green (RoHS & no Sb/Br)	CU NIPDAU	Level-1-260C-UNLIM
LT1004CDRG4-2-5	ACTIVE	SOIC	D	8	2500	Green (RoHS & no Sb/Br)	CU NIPDAU	Level-1-260C-UNLIM
LT1004CLP-1-2	OBSOLETE	TO-92	LP	3		TBD	Call TI	Call TI
LT1004CLP-2-5	OBSOLETE	TO-92	LP	3		TBD	Call TI	Call TI
LT1004CPW-1-2	ACTIVE	TSSOP	PW	8	150	Green (RoHS & no Sb/Br)	CU NIPDAU	Level-1-260C-UNLIM
LT1004CPW-2-5	ACTIVE	TSSOP	PW	8	150	Green (RoHS & no Sb/Br)	CU NIPDAU	Level-1-260C-UNLIM
LT1004CPWE4-1-2	ACTIVE	TSSOP	PW	8	150	Green (RoHS & no Sb/Br)	CU NIPDAU	Level-1-260C-UNLIM
LT1004CPWE4-2-5	ACTIVE	TSSOP	PW	8	150	Green (RoHS & no Sb/Br)	CU NIPDAU	Level-1-260C-UNLIM
LT1004CPWG4-1-2	ACTIVE	TSSOP	PW	8	150	Green (RoHS & no Sb/Br)	CU NIPDAU	Level-1-260C-UNLIM
LT1004CPWG4-2-5	ACTIVE	TSSOP	PW	8	150	Green (RoHS & no Sb/Br)	CU NIPDAU	Level-1-260C-UNLIM
LT1004CPWR-1-2	ACTIVE	TSSOP	PW	8	2000	Green (RoHS & no Sb/Br)	CU NIPDAU	Level-1-260C-UNLIM
LT1004CPWR-2-5	ACTIVE	TSSOP	PW	8	2000	Green (RoHS & no Sb/Br)	CU NIPDAU	Level-1-260C-UNLIM
LT1004CPWRE4-1-2	ACTIVE	TSSOP	PW	8	2000	Green (RoHS & no Sb/Br)	CU NIPDAU	Level-1-260C-UNLIM
LT1004CPWRE4-2-5	ACTIVE	TSSOP	PW	8	2000	Green (RoHS & no Sb/Br)	CU NIPDAU	Level-1-260C-UNLIM
LT1004CPWRG4-1-2	ACTIVE	TSSOP	PW	8	2000	Green (RoHS & no Sb/Br)	CU NIPDAU	Level-1-260C-UNLIM

Orderable Device	Status ⁽¹⁾	Package Type	Package Drawing	Pins	Package Qty	Eco Plan ⁽²⁾	Lead/Ball Finish	MSL Peak Temp ⁽³⁾
LT1004CPWRG4-2-5	ACTIVE	TSSOP	PW	8	2000	Green (RoHS & no Sb/Br)	CU NIPDAU	Level-1-260C-UNLIM
LT1004ID-1-2	ACTIVE	SOIC	D	8	75	Green (RoHS & no Sb/Br)	CU NIPDAU	Level-1-260C-UNLIM
LT1004ID-2-5	ACTIVE	SOIC	D	8	75	Green (RoHS & no Sb/Br)	CU NIPDAU	Level-1-260C-UNLIM
LT1004IDE4-1-2	ACTIVE	SOIC	D	8	75	Green (RoHS & no Sb/Br)	CU NIPDAU	Level-1-260C-UNLIM
LT1004IDE4-2-5	ACTIVE	SOIC	D	8	75	Green (RoHS & no Sb/Br)	CU NIPDAU	Level-1-260C-UNLIM
LT1004IDG4-1-2	ACTIVE	SOIC	D	8	75	Green (RoHS & no Sb/Br)	CU NIPDAU	Level-1-260C-UNLIM
LT1004IDG4-2-5	ACTIVE	SOIC	D	8	75	Green (RoHS & no Sb/Br)	CU NIPDAU	Level-1-260C-UNLIM
LT1004IDR-1-2	ACTIVE	SOIC	D	8	2500	Green (RoHS & no Sb/Br)	CU NIPDAU	Level-1-260C-UNLIM
LT1004IDR-2-5	ACTIVE	SOIC	D	8	2500	Green (RoHS & no Sb/Br)	CU NIPDAU	Level-1-260C-UNLIM
LT1004IDRE4-1-2	ACTIVE	SOIC	D	8	2500	Green (RoHS & no Sb/Br)	CU NIPDAU	Level-1-260C-UNLIM
LT1004IDRE4-2-5	ACTIVE	SOIC	D	8	2500	Green (RoHS & no Sb/Br)	CU NIPDAU	Level-1-260C-UNLIM
LT1004IDRG4-1-2	ACTIVE	SOIC	D	8	2500	Green (RoHS & no Sb/Br)	CU NIPDAU	Level-1-260C-UNLIM
LT1004IDRG4-2-5	ACTIVE	SOIC	D	8	2500	Green (RoHS & no Sb/Br)	CU NIPDAU	Level-1-260C-UNLIM
LT1004ILP-2-5	OBSOLETE	TO-92	LP	3		TBD	Call TI	Call TI
LT1004IPW-1-2	ACTIVE	TSSOP	PW	8	150	Green (RoHS & no Sb/Br)	CU NIPDAU	Level-1-260C-UNLIM
LT1004IPW-2-5	ACTIVE	TSSOP	PW	8	150	Green (RoHS & no Sb/Br)	CU NIPDAU	Level-1-260C-UNLIM
LT1004IPWE4-1-2	ACTIVE	TSSOP	PW	8	150	Green (RoHS & no Sb/Br)	CU NIPDAU	Level-1-260C-UNLIM
LT1004IPWE4-2-5	ACTIVE	TSSOP	PW	8	150	Green (RoHS & no Sb/Br)	CU NIPDAU	Level-1-260C-UNLIM
LT1004IPWG4-1-2	ACTIVE	TSSOP	PW	8	150	Green (RoHS & no Sb/Br)	CU NIPDAU	Level-1-260C-UNLIM
LT1004IPWG4-2-5	ACTIVE	TSSOP	PW	8	150	Green (RoHS & no Sb/Br)	CU NIPDAU	Level-1-260C-UNLIM
LT1004IPWR-1-2	ACTIVE	TSSOP	PW	8	2000	Green (RoHS & no Sb/Br)	CU NIPDAU	Level-1-260C-UNLIM
LT1004IPWR-2-5	ACTIVE	TSSOP	PW	8	2000	Green (RoHS & no Sb/Br)	CU NIPDAU	Level-1-260C-UNLIM
LT1004IPWRE4-1-2	ACTIVE	TSSOP	PW	8	2000	Green (RoHS & no Sb/Br)	CU NIPDAU	Level-1-260C-UNLIM
LT1004IPWRE4-2-5	ACTIVE	TSSOP	PW	8	2000	Green (RoHS & no Sb/Br)	CU NIPDAU	Level-1-260C-UNLIM
LT1004IPWRG4-1-2	ACTIVE	TSSOP	PW	8	2000	Green (RoHS & no Sb/Br)	CU NIPDAU	Level-1-260C-UNLIM
LT1004IPWRG4-2-5	ACTIVE	TSSOP	PW	8	2000	Green (RoHS & no Sb/Br)	CU NIPDAU	Level-1-260C-UNLIM

Orderable Device	Status ⁽¹⁾	Package Type	Package Drawing	Pins	Package Qty	Eco Plan ⁽²⁾	Lead/Ball Finish	MSL Peak Temp ⁽³⁾
LT1004MD-1-2	OBSOLETE	SOIC	D	8		TBD	Call TI	Call TI
LT1004MD-2-5	OBSOLETE	SOIC	D	8		TBD	Call TI	Call TI
LT1004MDR-1-2	OBSOLETE	SOIC	D	8		TBD	Call TI	Call TI
LT1004MDR-2-5	OBSOLETE	SOIC	D	8		TBD	Call TI	Call TI
LT1004MLP-1-2	OBSOLETE	TO-92	LP	3		TBD	Call TI	Call TI
LT1004MLP-2-5	OBSOLETE	TO-92	LP	3		TBD	Call TI	Call TI

⁽¹⁾ The marketing status values are defined as follows:

ACTIVE: Product device recommended for new designs.

LIFEBUY: TI has announced that the device will be discontinued, and a lifetime-buy period is in effect.

NRND: Not recommended for new designs. Device is in production to support existing customers, but TI does not recommend using this part in a new design.

PREVIEW: Device has been announced but is not in production. Samples may or may not be available.

OBSOLETE: TI has discontinued the production of the device.

⁽²⁾ Eco Plan - The planned eco-friendly classification: Pb-Free (RoHS), Pb-Free (RoHS Exempt), or Green (RoHS & no Sb/Br) - please check <http://www.ti.com/productcontent> for the latest availability information and additional product content details.

TBD: The Pb-Free/Green conversion plan has not been defined.

Pb-Free (RoHS): TI's terms "Lead-Free" or "Pb-Free" mean semiconductor products that are compatible with the current RoHS requirements for all 6 substances, including the requirement that lead not exceed 0.1% by weight in homogeneous materials. Where designed to be soldered at high temperatures, TI Pb-Free products are suitable for use in specified lead-free processes.

Pb-Free (RoHS Exempt): This component has a RoHS exemption for either 1) lead-based flip-chip solder bumps used between the die and package, or 2) lead-based die adhesive used between the die and leadframe. The component is otherwise considered Pb-Free (RoHS compatible) as defined above.

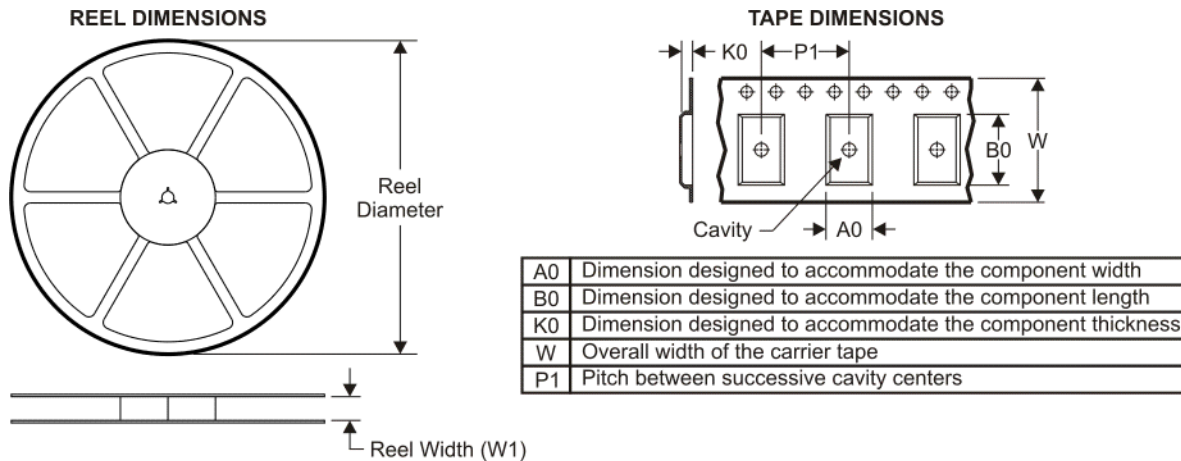
Green (RoHS & no Sb/Br): TI defines "Green" to mean Pb-Free (RoHS compatible), and free of Bromine (Br) and Antimony (Sb) based flame retardants (Br or Sb do not exceed 0.1% by weight in homogeneous material)

⁽³⁾ MSL, Peak Temp. -- The Moisture Sensitivity Level rating according to the JEDEC industry standard classifications, and peak solder temperature.

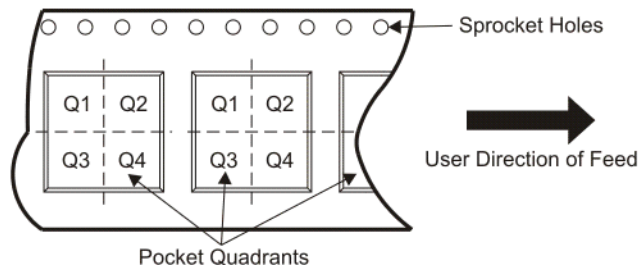
Important Information and Disclaimer:The information provided on this page represents TI's knowledge and belief as of the date that it is provided. TI bases its knowledge and belief on information provided by third parties, and makes no representation or warranty as to the accuracy of such information. Efforts are underway to better integrate information from third parties. TI has taken and continues to take reasonable steps to provide representative and accurate information but may not have conducted destructive testing or chemical analysis on incoming materials and chemicals. TI and TI suppliers consider certain information to be proprietary, and thus CAS numbers and other limited information may not be available for release.

In no event shall TI's liability arising out of such information exceed the total purchase price of the TI part(s) at issue in this document sold by TI to Customer on an annual basis.

TAPE AND REEL INFORMATION



QUADRANT ASSIGNMENTS FOR PIN 1 ORIENTATION IN TAPE



*All dimensions are nominal

Device	Package Type	Package Drawing	Pins	SPQ	Reel Diameter (mm)	Reel Width W1 (mm)	A0 (mm)	B0 (mm)	K0 (mm)	P1 (mm)	W (mm)	Pin1 Quadrant
LT1004CDR-1-2	SOIC	D	8	2500	330.0	12.4	6.4	5.2	2.1	8.0	12.0	Q1
LT1004CDR-1-2	SOIC	D	8	2500	330.0	12.4	6.4	5.2	2.1	8.0	12.0	Q1
LT1004CDR-2-5	SOIC	D	8	2500	330.0	12.4	6.4	5.2	2.1	8.0	12.0	Q1
LT1004CPWR-1-2	TSSOP	PW	8	2000	330.0	12.4	7.0	3.6	1.6	8.0	12.0	Q1
LT1004CPWR-2-5	TSSOP	PW	8	2000	330.0	12.4	7.0	3.6	1.6	8.0	12.0	Q1
LT1004IDR-1-2	SOIC	D	8	2500	330.0	12.4	6.4	5.2	2.1	8.0	12.0	Q1
LT1004IDR-2-5	SOIC	D	8	2500	330.0	12.4	6.4	5.2	2.1	8.0	12.0	Q1
LT1004IPWR-1-2	TSSOP	PW	8	2000	330.0	12.4	7.0	3.6	1.6	8.0	12.0	Q1
LT1004IPWR-2-5	TSSOP	PW	8	2000	330.0	12.4	7.0	3.6	1.6	8.0	12.0	Q1

TAPE AND REEL BOX DIMENSIONS



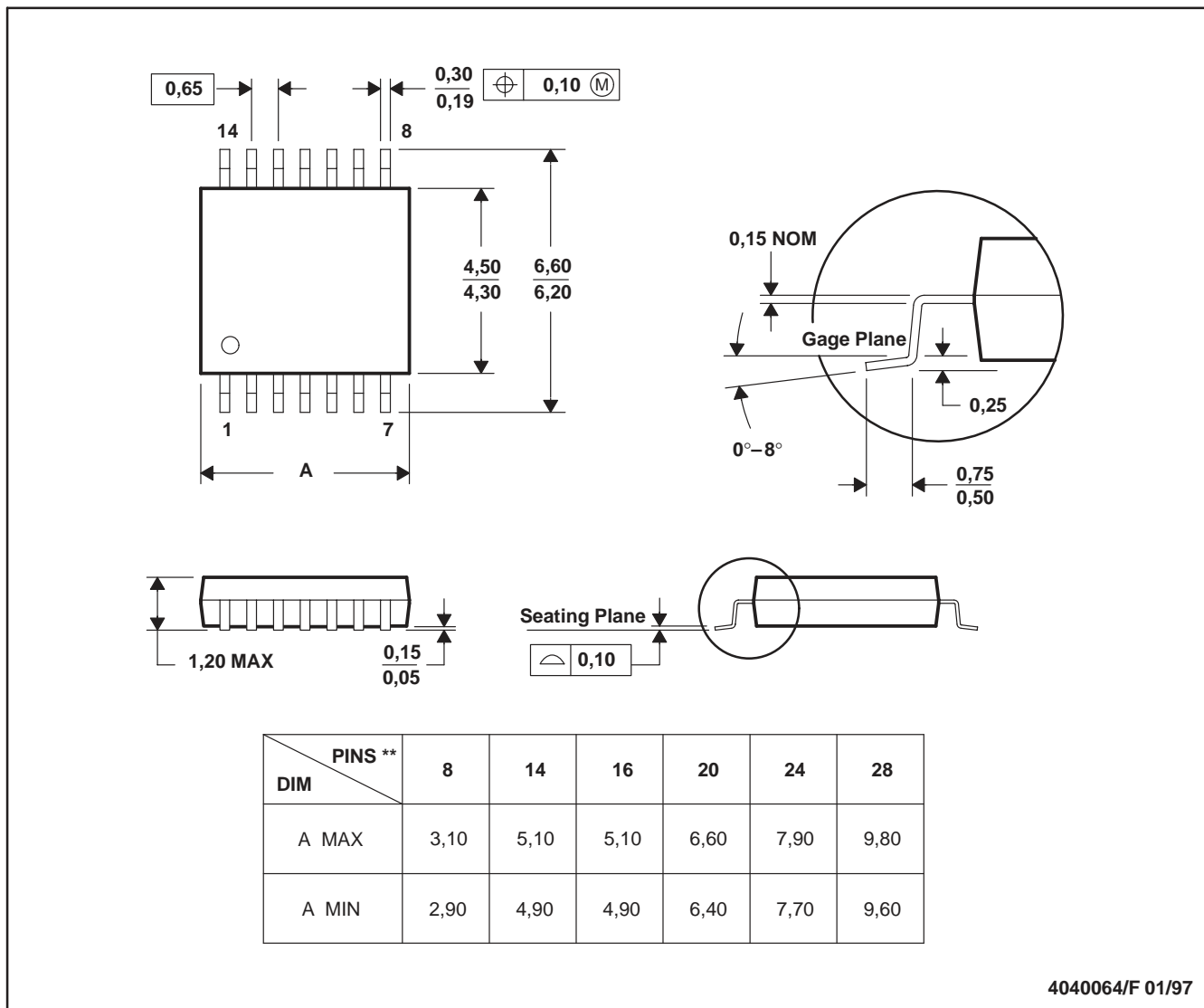
*All dimensions are nominal

Device	Package Type	Package Drawing	Pins	SPQ	Length (mm)	Width (mm)	Height (mm)
LT1004CDR-1-2	SOIC	D	8	2500	346.0	346.0	29.0
LT1004CDR-1-2	SOIC	D	8	2500	340.5	338.1	20.6
LT1004CDR-2-5	SOIC	D	8	2500	340.5	338.1	20.6
LT1004CPWR-1-2	TSSOP	PW	8	2000	346.0	346.0	29.0
LT1004CPWR-2-5	TSSOP	PW	8	2000	346.0	346.0	29.0
LT1004IDR-1-2	SOIC	D	8	2500	340.5	338.1	20.6
LT1004IDR-2-5	SOIC	D	8	2500	340.5	338.1	20.6
LT1004IPWR-1-2	TSSOP	PW	8	2000	346.0	346.0	29.0
LT1004IPWR-2-5	TSSOP	PW	8	2000	346.0	346.0	29.0

PW (R-PDSO-G**)

PLASTIC SMALL-OUTLINE PACKAGE

14 PINS SHOWN

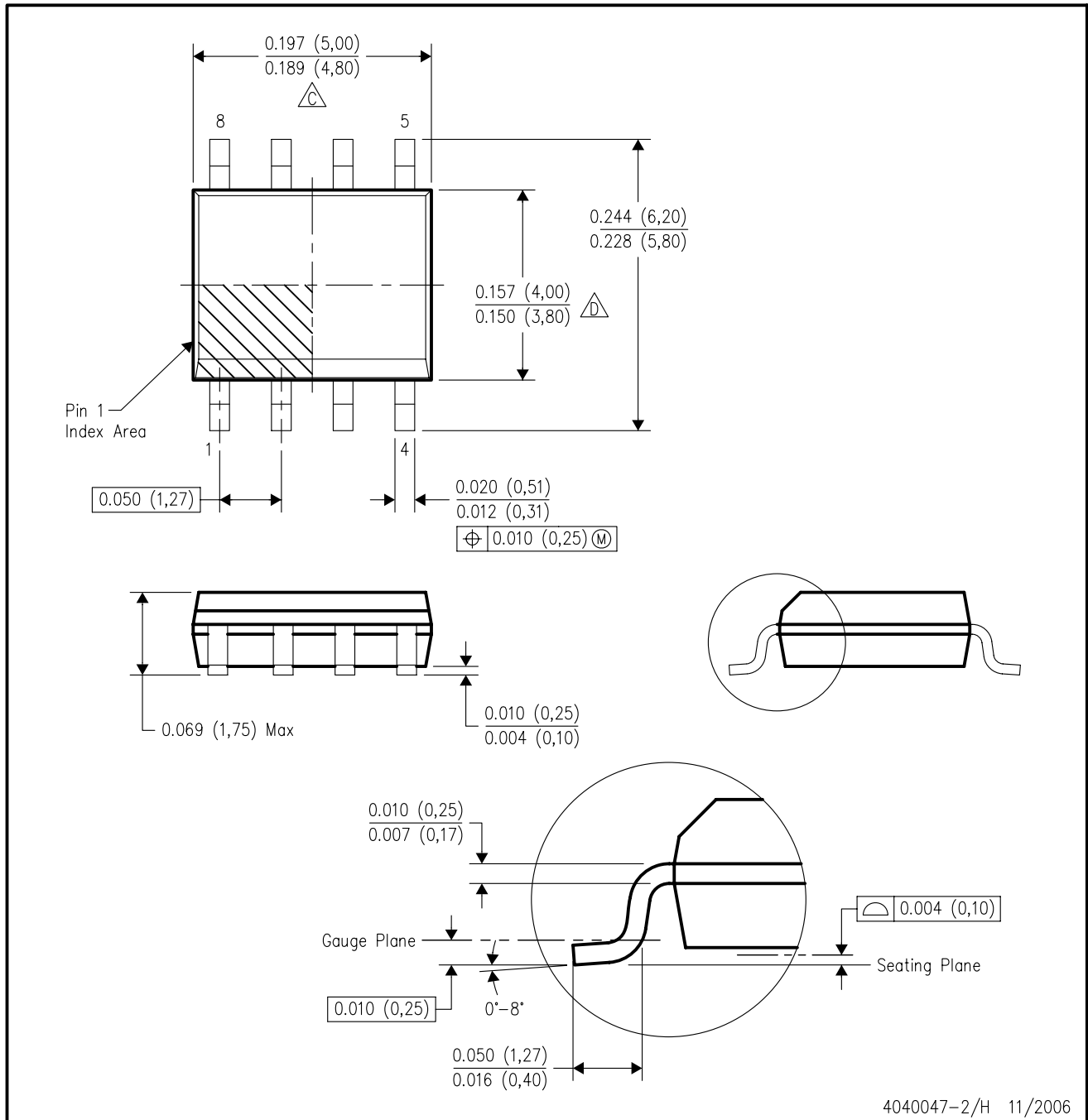


4040064/F 01/97

- NOTES: A. All linear dimensions are in millimeters.
 B. This drawing is subject to change without notice.
 C. Body dimensions do not include mold flash or protrusion not to exceed 0,15.
 D. Falls within JEDEC MO-153

D (R-PDSO-G8)

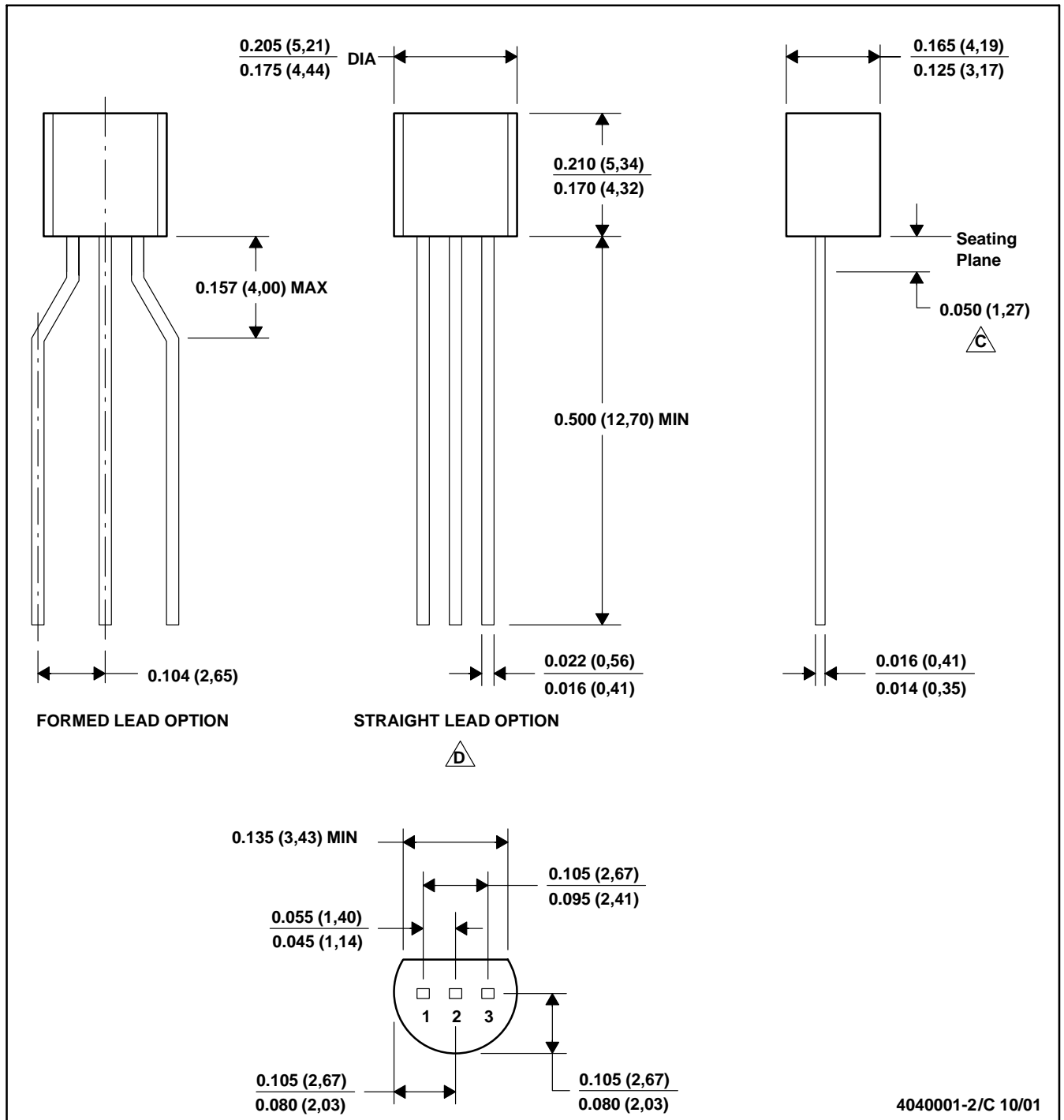
PLASTIC SMALL-OUTLINE PACKAGE



- NOTES:
- A. All linear dimensions are in inches (millimeters).
 - B. This drawing is subject to change without notice.
 - C. Body length does not include mold flash, protrusions, or gate burrs. Mold flash, protrusions, or gate burrs shall not exceed .006 (0,15) per end.
 - D. Body width does not include interlead flash. Interlead flash shall not exceed .017 (0,43) per side.
 - E. Reference JEDEC MS-012 variation AA.

LP (O-PBCY-W3)

PLASTIC CYLINDRICAL PACKAGE



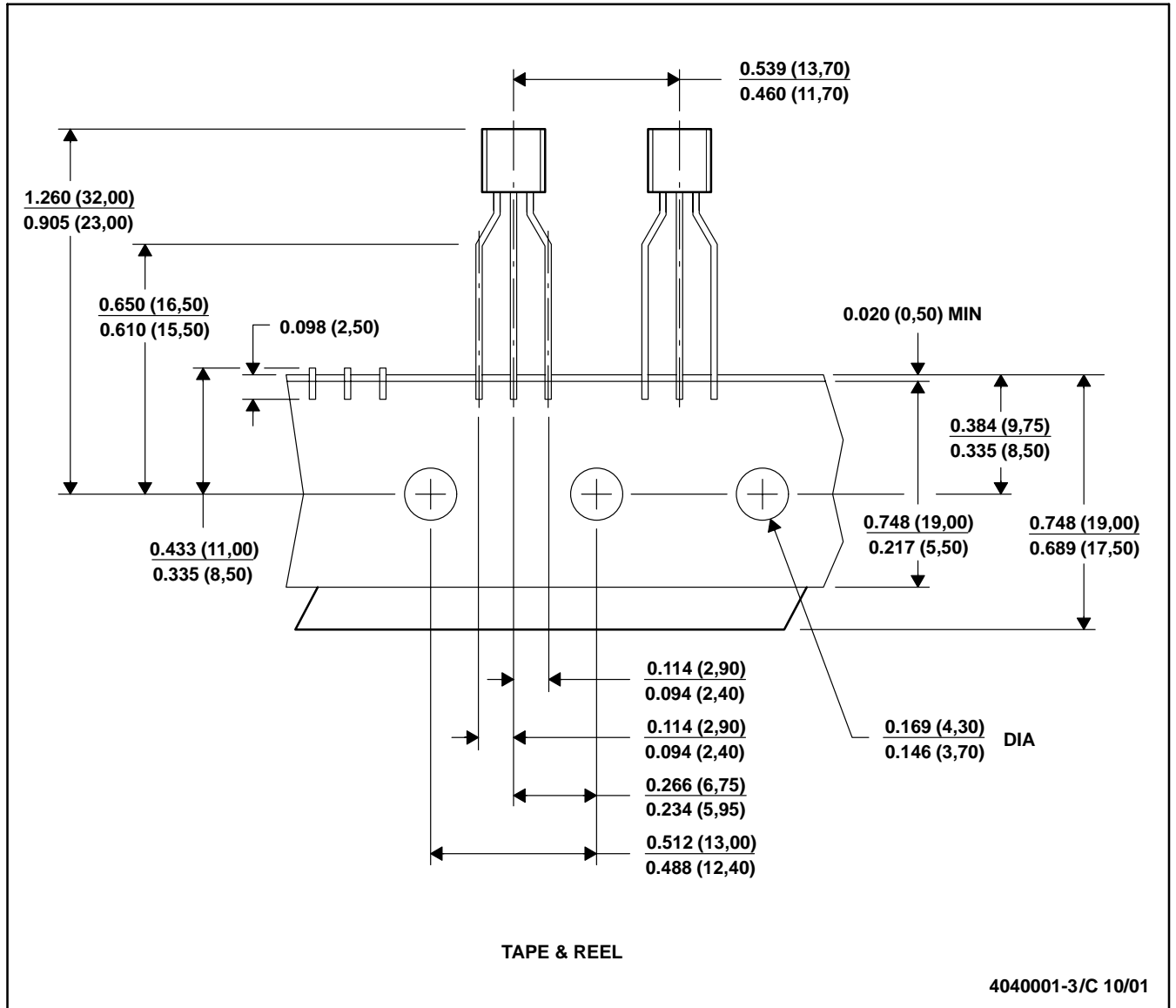
- NOTES: A. All linear dimensions are in inches (millimeters).
 B. This drawing is subject to change without notice.
C Lead dimensions are not controlled within this area
D Falls within JEDEC TO -226 Variation AA (TO-226 replaces TO-92)
 E. Shipping Method:
 Straight lead option available in bulk pack only.
 Formed lead option available in tape & reel or ammo pack.

MECHANICAL DATA

MSOT002A – OCTOBER 1994 – REVISED NOVEMBER 2001

LP (O-PBCY-W3)

PLASTIC CYLINDRICAL PACKAGE



- NOTES: A. All linear dimensions are in inches (millimeters).
B. This drawing is subject to change without notice.
C. Tape and Reel information for the Format Lead Option package.

IMPORTANT NOTICE

Texas Instruments Incorporated and its subsidiaries (TI) reserve the right to make corrections, modifications, enhancements, improvements, and other changes to its products and services at any time and to discontinue any product or service without notice. Customers should obtain the latest relevant information before placing orders and should verify that such information is current and complete. All products are sold subject to TI's terms and conditions of sale supplied at the time of order acknowledgment.

TI warrants performance of its hardware products to the specifications applicable at the time of sale in accordance with TI's standard warranty. Testing and other quality control techniques are used to the extent TI deems necessary to support this warranty. Except where mandated by government requirements, testing of all parameters of each product is not necessarily performed.

TI assumes no liability for applications assistance or customer product design. Customers are responsible for their products and applications using TI components. To minimize the risks associated with customer products and applications, customers should provide adequate design and operating safeguards.

TI does not warrant or represent that any license, either express or implied, is granted under any TI patent right, copyright, mask work right, or other TI intellectual property right relating to any combination, machine, or process in which TI products or services are used. Information published by TI regarding third-party products or services does not constitute a license from TI to use such products or services or a warranty or endorsement thereof. Use of such information may require a license from a third party under the patents or other intellectual property of the third party, or a license from TI under the patents or other intellectual property of TI.

Reproduction of TI information in TI data books or data sheets is permissible only if reproduction is without alteration and is accompanied by all associated warranties, conditions, limitations, and notices. Reproduction of this information with alteration is an unfair and deceptive business practice. TI is not responsible or liable for such altered documentation. Information of third parties may be subject to additional restrictions.

Resale of TI products or services with statements different from or beyond the parameters stated by TI for that product or service voids all express and any implied warranties for the associated TI product or service and is an unfair and deceptive business practice. TI is not responsible or liable for any such statements.

TI products are not authorized for use in safety-critical applications (such as life support) where a failure of the TI product would reasonably be expected to cause severe personal injury or death, unless officers of the parties have executed an agreement specifically governing such use. Buyers represent that they have all necessary expertise in the safety and regulatory ramifications of their applications, and acknowledge and agree that they are solely responsible for all legal, regulatory and safety-related requirements concerning their products and any use of TI products in such safety-critical applications, notwithstanding any applications-related information or support that may be provided by TI. Further, Buyers must fully indemnify TI and its representatives against any damages arising out of the use of TI products in such safety-critical applications.

TI products are neither designed nor intended for use in military/aerospace applications or environments unless the TI products are specifically designated by TI as military-grade or "enhanced plastic." Only products designated by TI as military-grade meet military specifications. Buyers acknowledge and agree that any such use of TI products which TI has not designated as military-grade is solely at the Buyer's risk, and that they are solely responsible for compliance with all legal and regulatory requirements in connection with such use.

TI products are neither designed nor intended for use in automotive applications or environments unless the specific TI products are designated by TI as compliant with ISO/TS 16949 requirements. Buyers acknowledge and agree that, if they use any non-designated products in automotive applications, TI will not be responsible for any failure to meet such requirements.

Following are URLs where you can obtain information on other Texas Instruments products and application solutions:

Products

Amplifiers	amplifier.ti.com
Data Converters	dataconverter.ti.com
DSP	dsp.ti.com
Clocks and Timers	www.ti.com/clocks
Interface	interface.ti.com
Logic	logic.ti.com
Power Mgmt	power.ti.com
Microcontrollers	microcontroller.ti.com
RFID	www.ti-rfid.com
RF/IF and ZigBee® Solutions	www.ti.com/lprf

Applications

Audio	www.ti.com/audio
Automotive	www.ti.com/automotive
Broadband	www.ti.com/broadband
Digital Control	www.ti.com/digitalcontrol
Medical	www.ti.com/medical
Military	www.ti.com/military
Optical Networking	www.ti.com/opticalnetwork
Security	www.ti.com/security
Telephony	www.ti.com/telephony
Video & Imaging	www.ti.com/video
Wireless	www.ti.com/wireless

Mailing Address: Texas Instruments, Post Office Box 655303, Dallas, Texas 75265
Copyright © 2008, Texas Instruments Incorporated