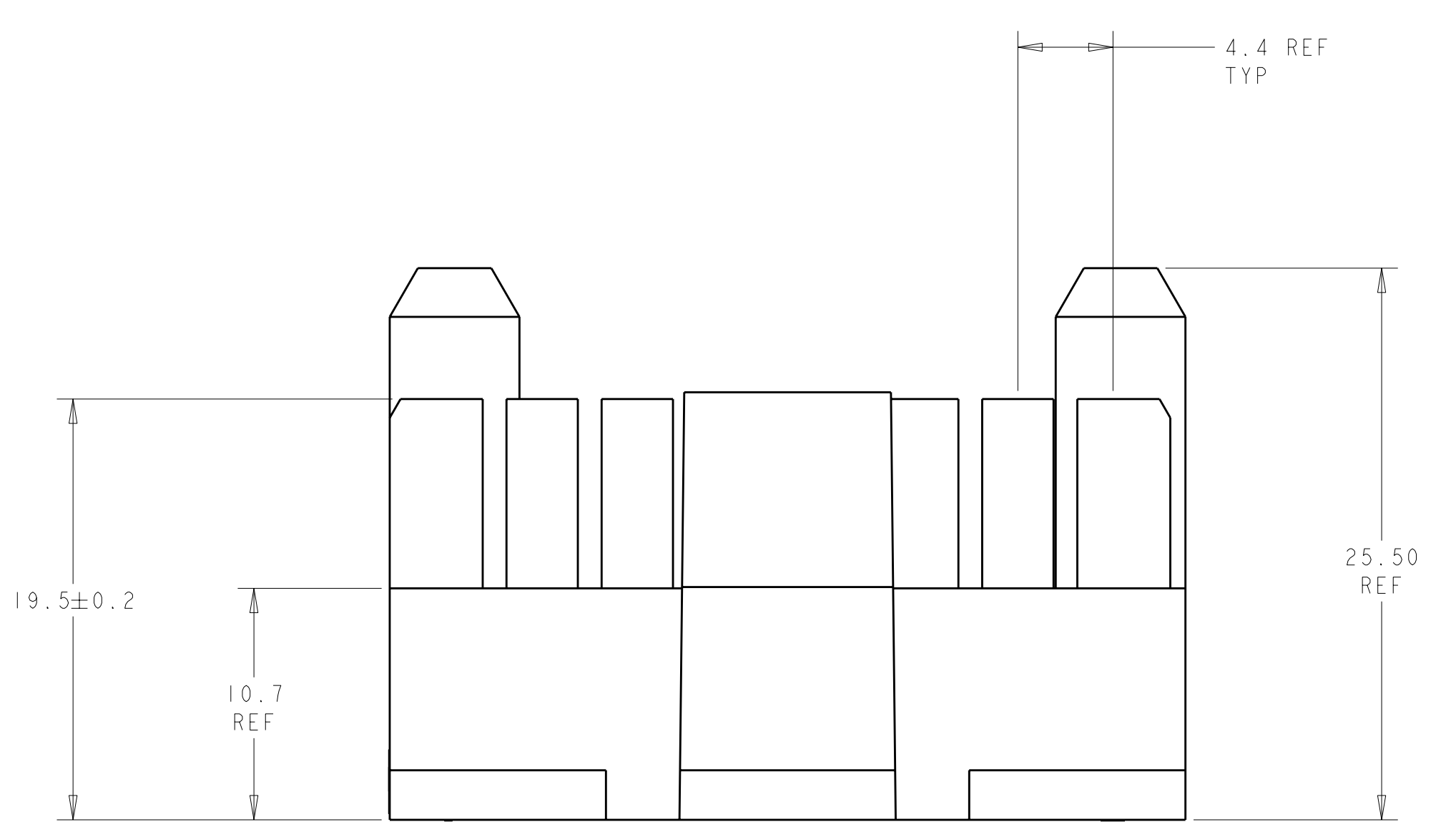
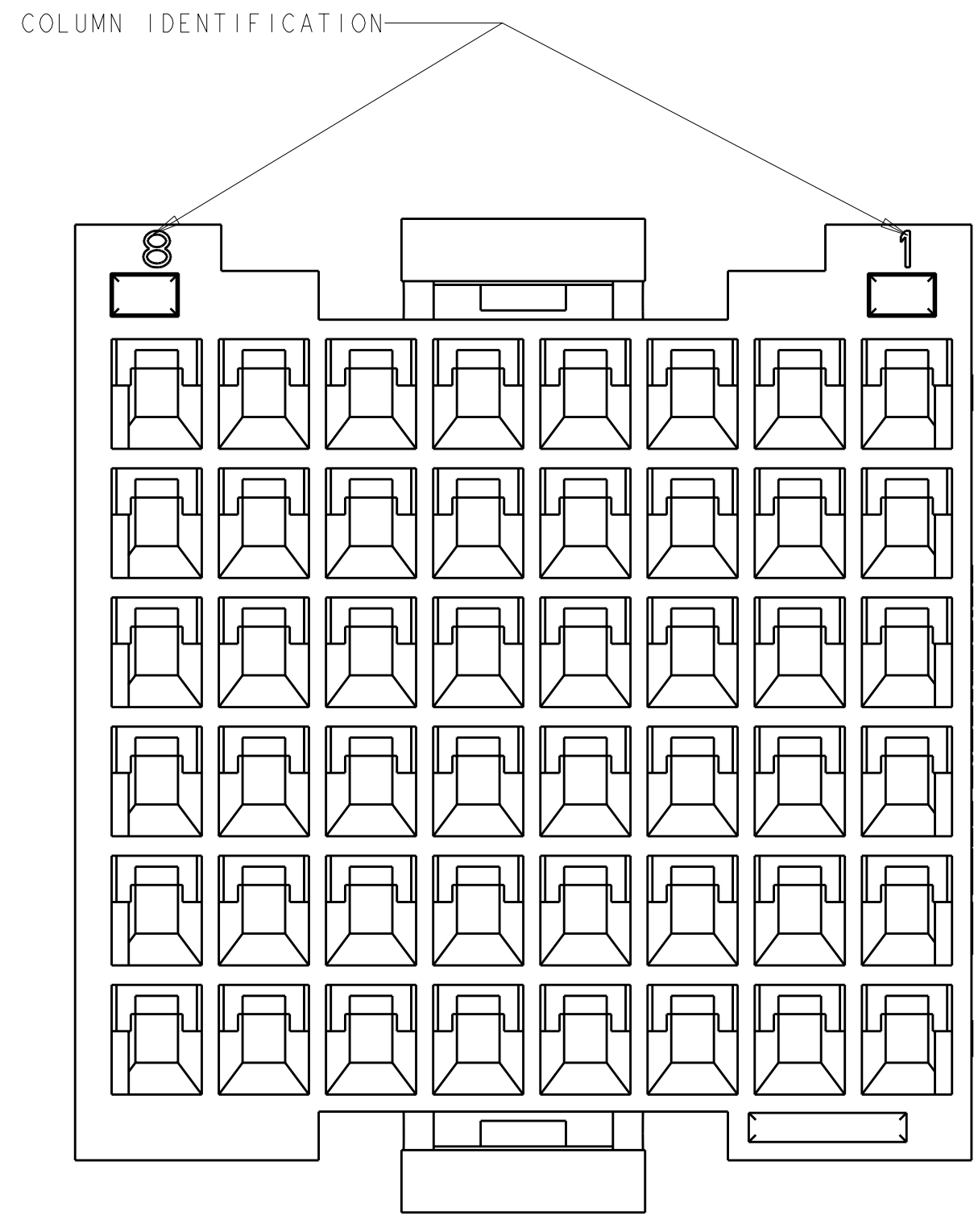
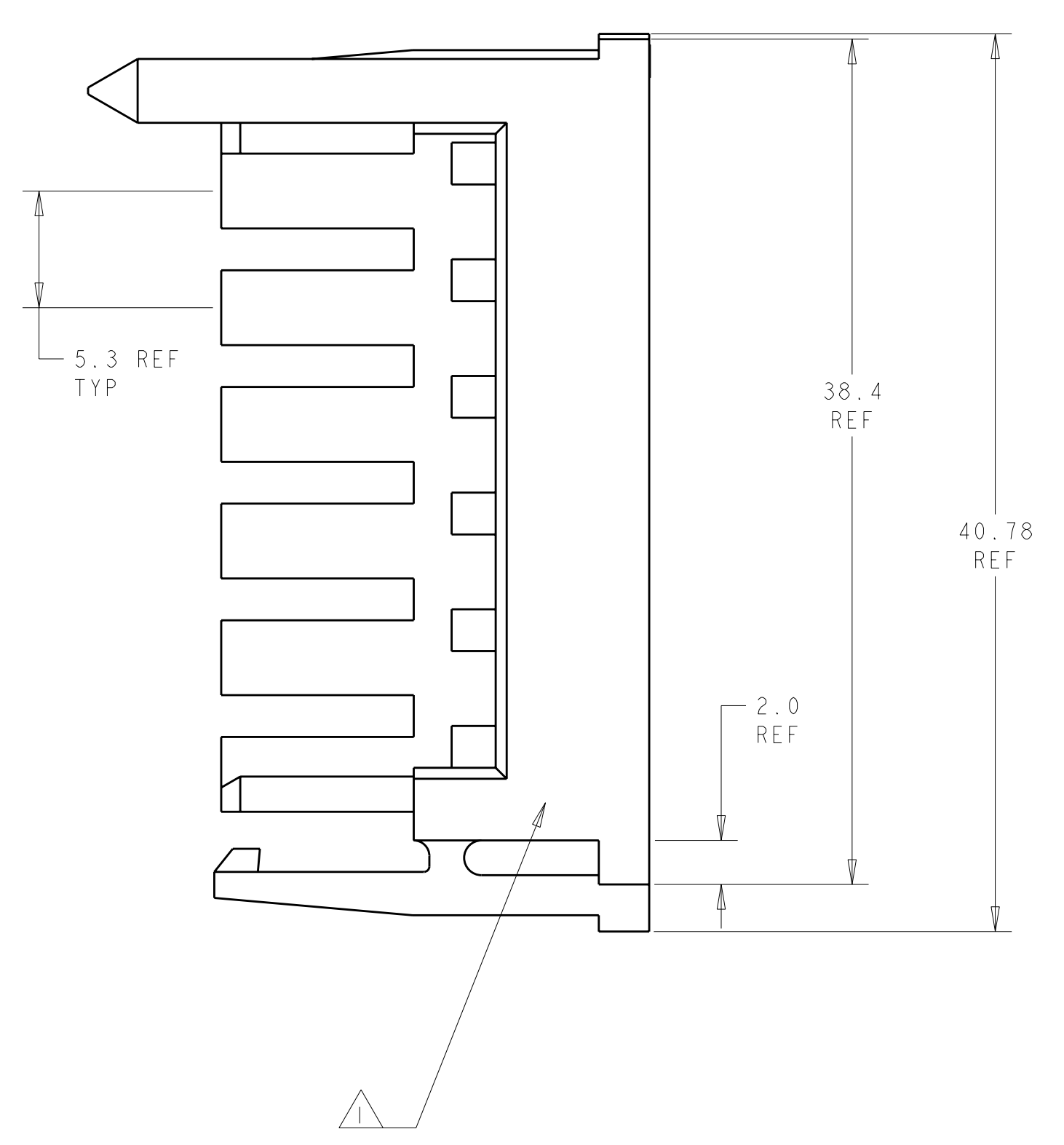
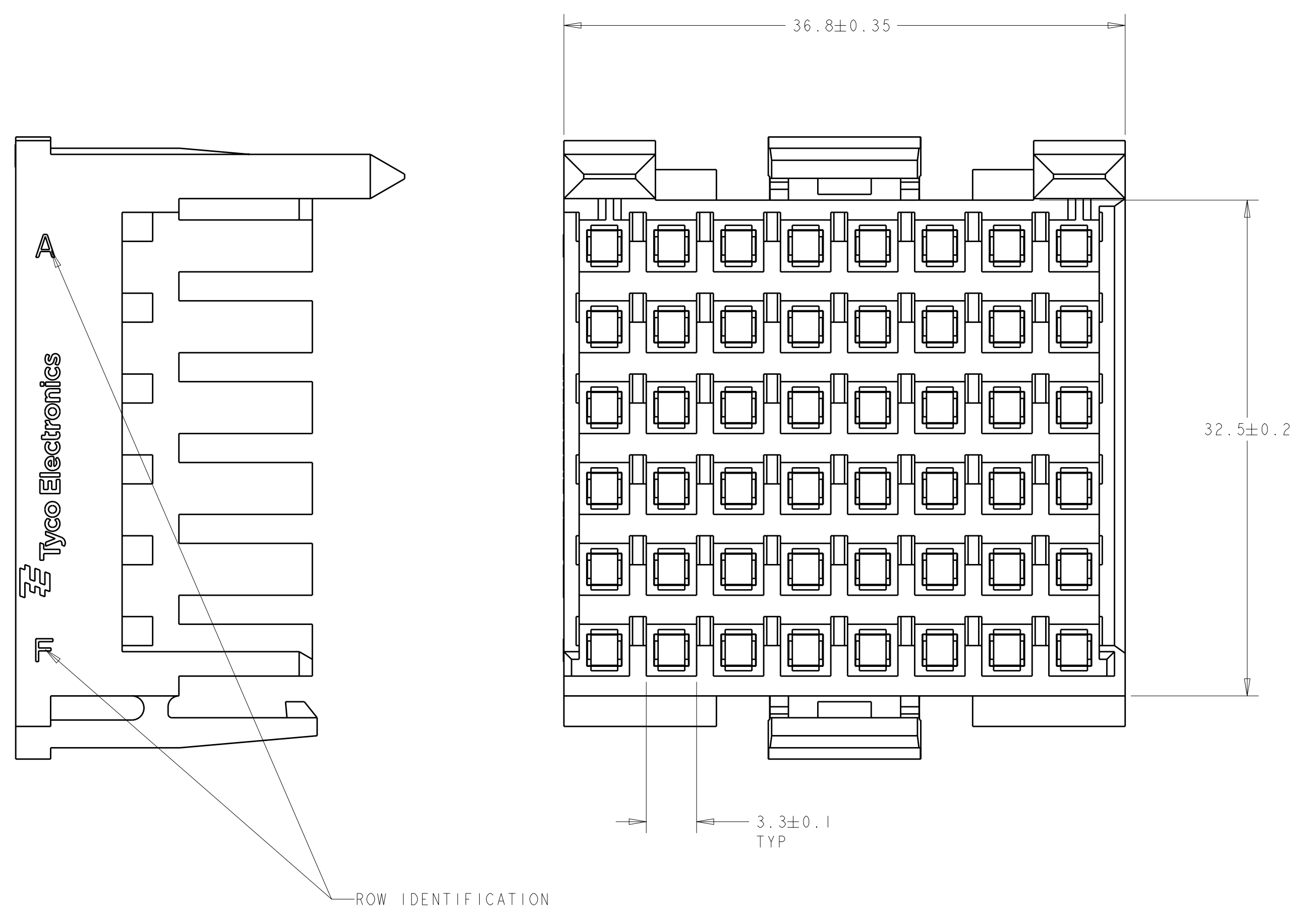


LOC	DIST	REVISIONS					
AD	00	P	LTB	DESCRIPTION	DATE	DWN	APVD
		A		RELEASED PER ECO-07-017382	01AUG2007	WS	AF



△ PBT UL94V-0.

**CONFIDENTIAL**

**THIS PRODUCT HAS NOT COMPLETED VALIDATION TESTING**

1934144-1  
PART NUMBER

<small>THIS DRAWING IS UNPUBLISHED. RELEASED FOR PUBLICATION. ALL RIGHTS RESERVED. THIS DRAWING IS UNPUBLISHED. RELEASED FOR PUBLICATION. ALL RIGHTS RESERVED.</small>		DWN C. RITZER 01FEB2006 CHK R. WHITEMAN 01FEB2006 APVD	<b>tyco</b> Electronics Tyco Electronics Harrisburg, PA 17105-3608
DIMENSIONS: mm 		TOLERANCES UNLESS OTHERWISE SPECIFIED: 0 PLC ± 1 PLC ± 2 PLC ± 3 PLC ± 4 PLC ± ANGLES ± FINISH ±	NAME PRODUCT SPEC APPLICATION SPEC SIZE CAGE CODE DRAWING NO RESTRICTED TO
MATERIAL FINISH		WEIGHT CUSTOMER DRAWING	48 POSITION RECEPTACLE HOUSING AMP-DUAC UPC A 100779 C=1934144 SCALE 4:1 SHEET 1 OF 1 REV A