

PART NAME

NEMA 4X ENCLOSURE

PART No.

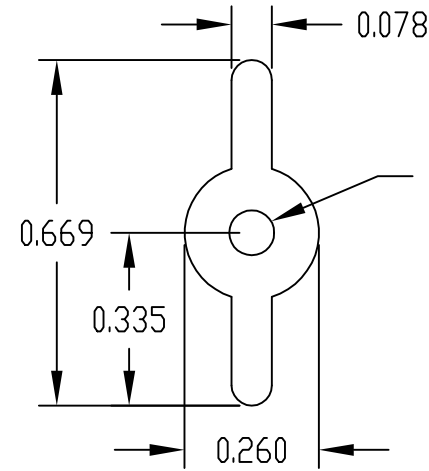
PN-1330, PN-1330-C AND PN-1330-DG

REV. DATE

11-17-08

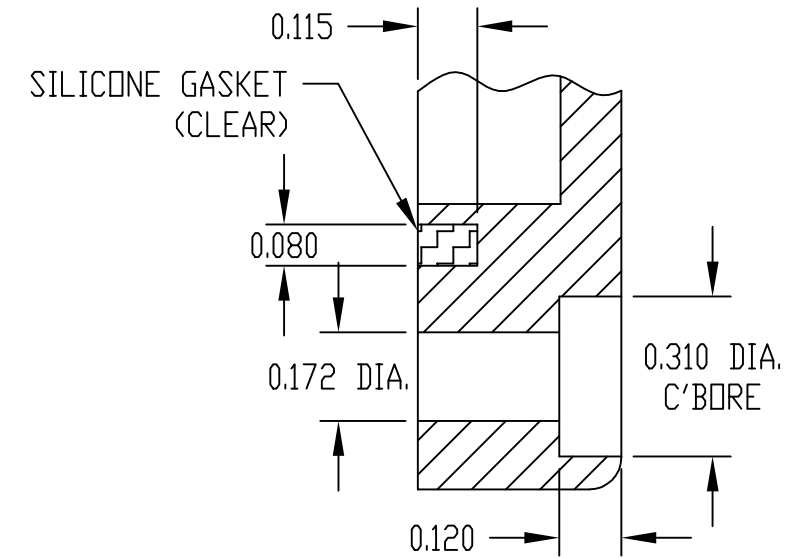
INDUSTRY STANDARDS:

- POLYCARBONATE (LIGHT GRAY AND CLEAR)
- UL94-HB FLAMMABILITY RATING (UL FILE #E41613)
- UV STABILIZED
- SERVICE TEMPERATURE RANGE: -40°C TO +120°C
- ABS (DARK GRAY)
- UL94-HB FLAMMABILITY RATING (UL FILE #E56070)
- SERVICE TEMPERATURE RANGE: -40°C TO +80°C

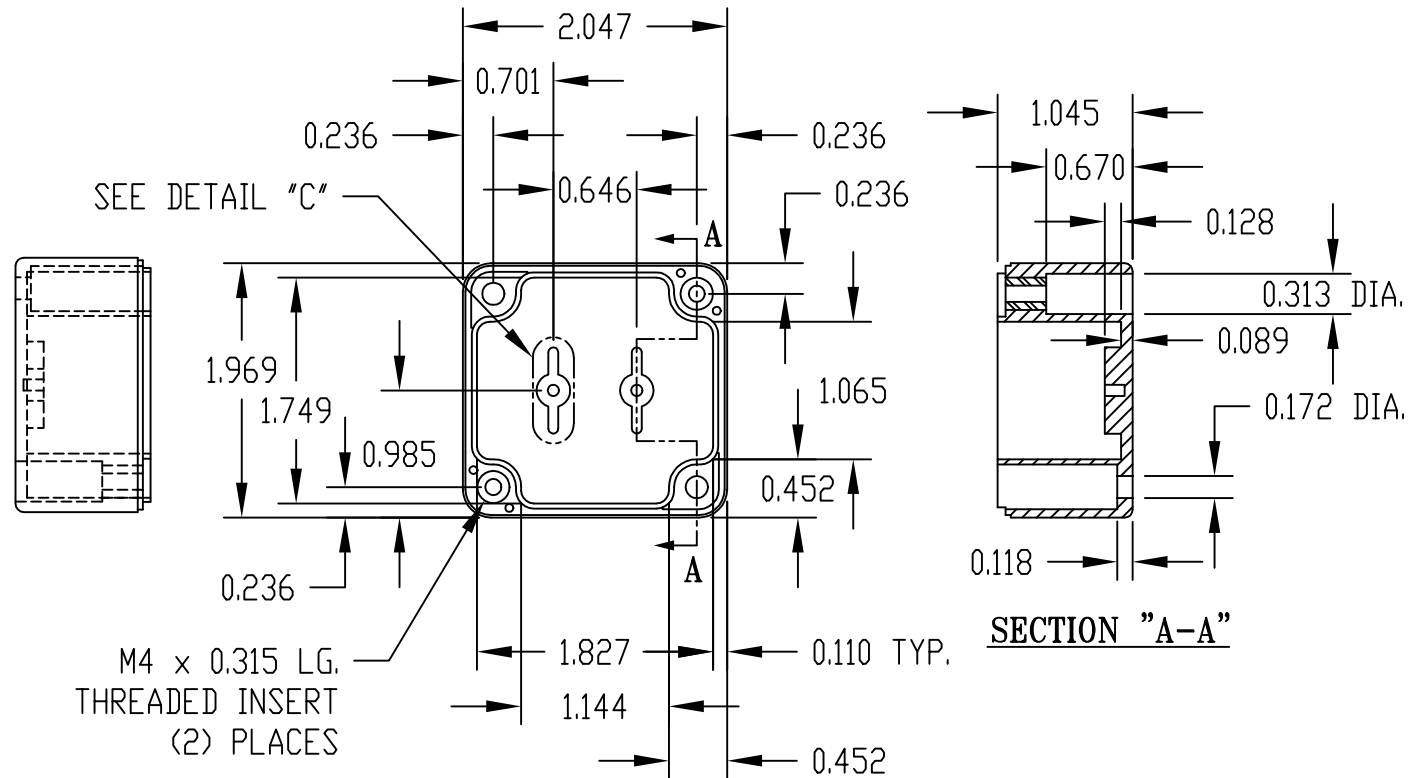


0.090 DIA. HOLE x 0.156 DEEP  
MOUNTING BOSSES USE EITHER M2.5 METRIC  
OR #4 STD. SHEET METAL SCREWS x 0.188 LG.  
(NOT SUPPLIED)

**DETAIL "C"**  
(2 PLACES)

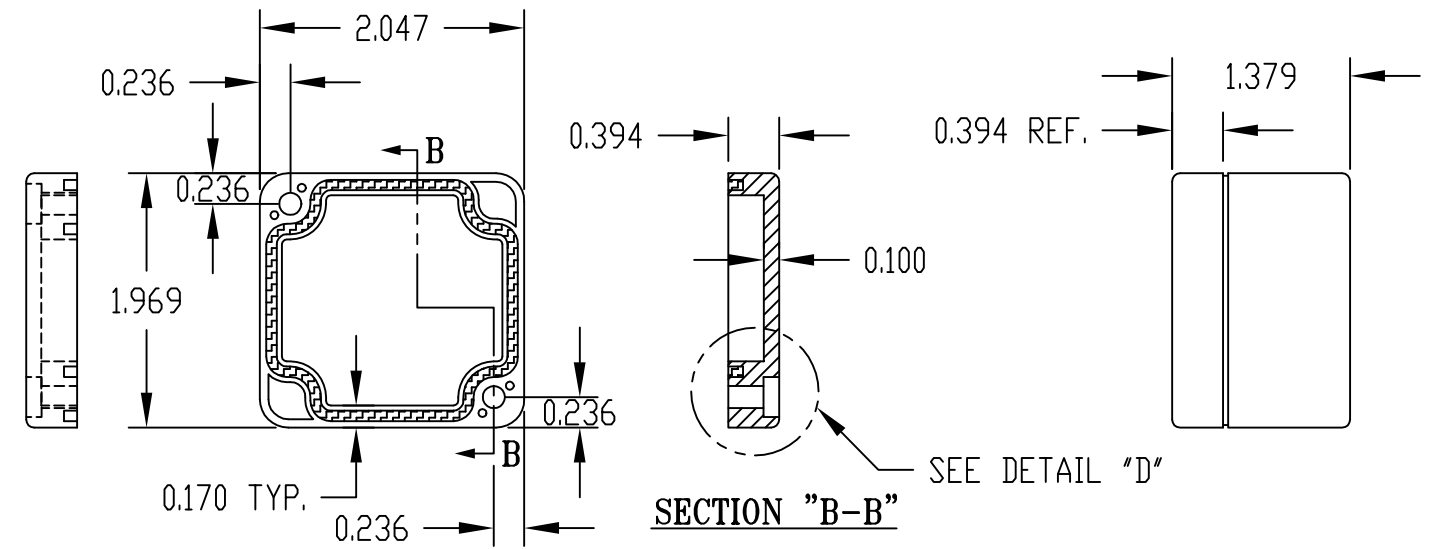


**DETAIL "D"**



M4 x 0.315 LG.  
THREADED INSERT  
(2) PLACES

**BODY**



**COVER**

NOTE: ALL DIMENSIONS HAVE ±0.015 TOLERANCE UNLESS OTHERWISE SPECIFIED.

PART NUMBER	MATERIAL		FINISH		HARDWARE KIT
	BODY	COVER	BODY	COVER	
PN-1330	POLYCARBONATE		LIGHT GRAY		KIT CONTAINS (2) M4 x 20mm (0.787") LG. SCREWS FOR ASSEMBLY
PN-1330-C	POLYCARBONATE		LIGHT GRAY	CLEAR	
PN-1330-DG	HIGH-IMPACT ABS		DARK GRAY		