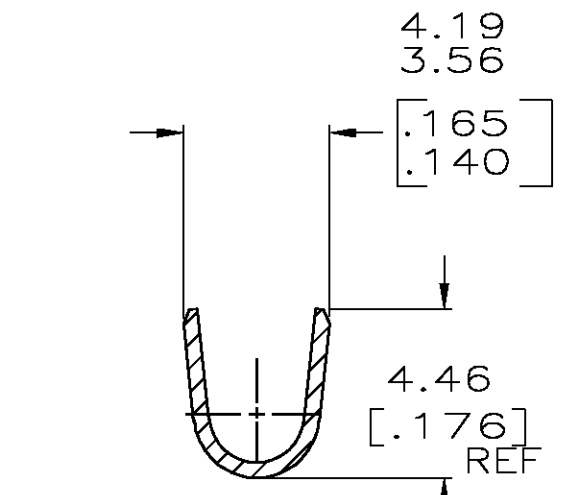
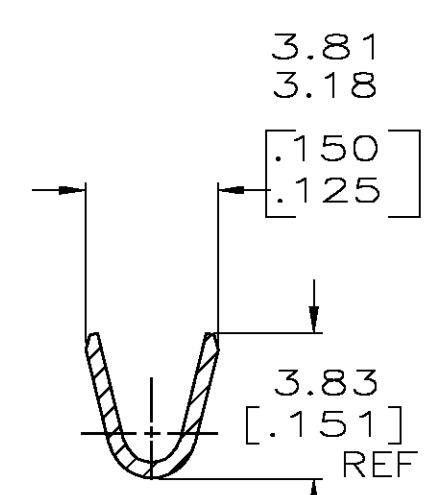
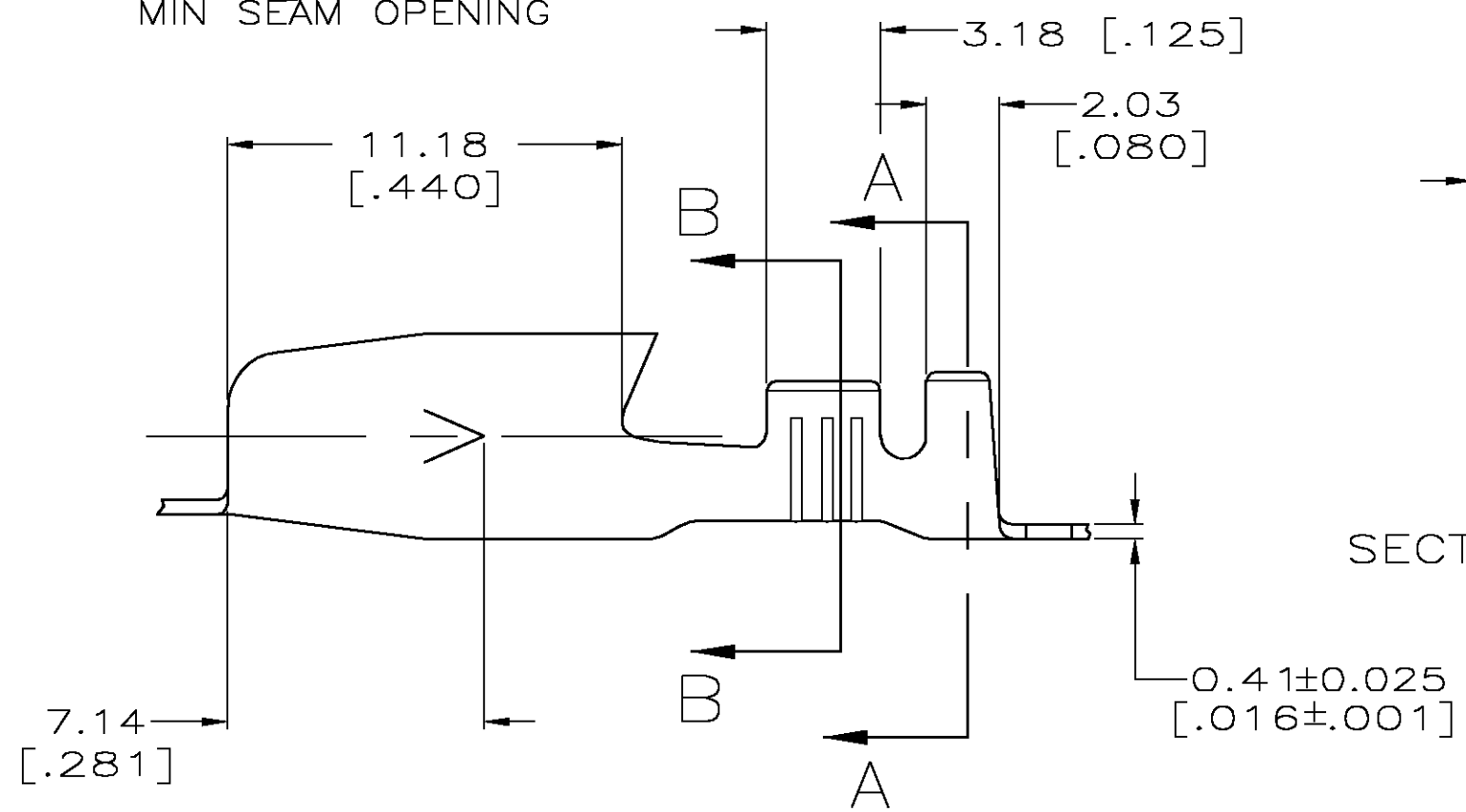
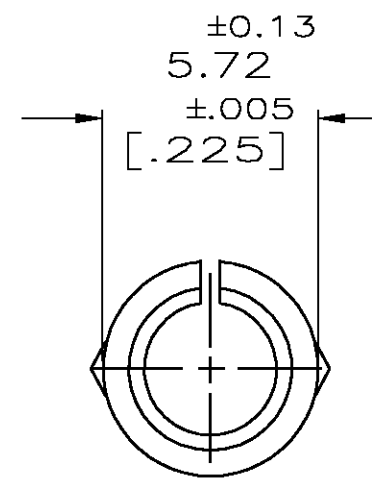
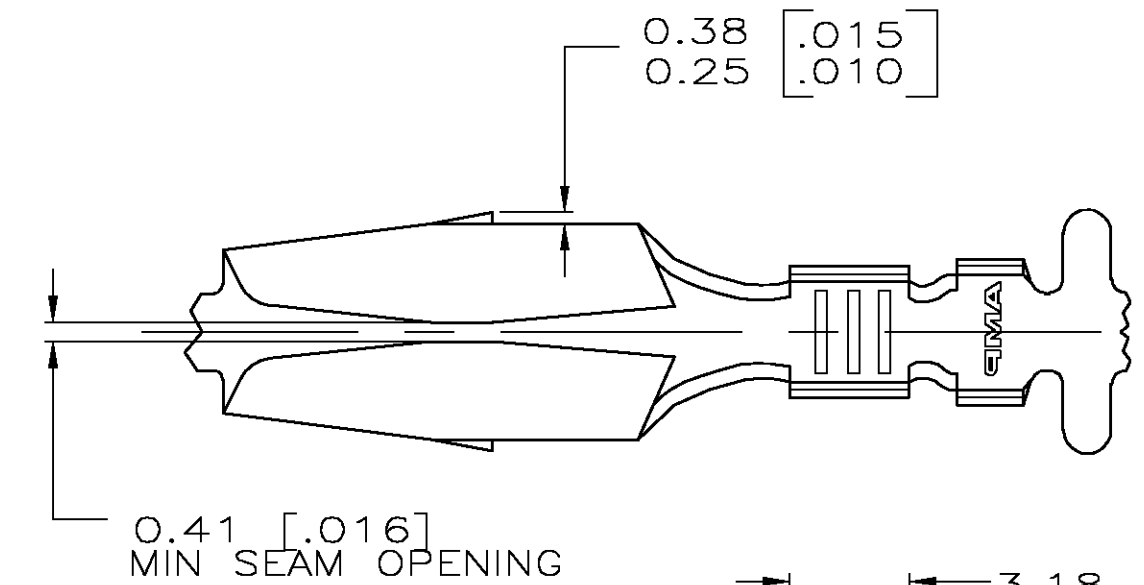


THIS DRAWING IS UNPUBLISHED. RELEASED FOR PUBLICATION
 © COPYRIGHT BY TYCO ELECTRONICS CORPORATION. ALL RIGHTS RESERVED.

LOC	DIST	REVISIONS			
P	LTR	DESCRIPTION	DATE	DWN	APVD
AF	50	F	REV PER 0G3A-0617-04	06AUG04	JR DD

- CONTINUOUS STRIP ON REELS.
- WIRE SIZE [#18-#14 OR TWO #18'S] AWG.
- INSULATION RANGE IS 2.29-3.05 [.090-.120] DIA.



62757-1
PART NO.

THIS DRAWING IS A CONTROLLED DOCUMENT.		DWN JR RUTH 14OCT99	Tyco Electronics Corporation Harrisburg, Pa 17105-3608				
DIMENSIONS: mm [INCHES]		CHK MS FEHER 14OCT99					
TOLERANCES UNLESS OTHERWISE SPECIFIED:		APVD D DECKER 14OCT99	NAME PIN, SPECIAL, 5.72 [.225] DIA				
0 PLC ± - 1 PLC ± - 2 PLC ± 0.38 [.015] 3 PLC ± - 4 PLC ± - ANGLES ± -		PRODUCT SPEC -	-				
MATERIAL H04 BRASS		FINISH -	APPLICATION SPEC -	SIZE A3	CAGE CODE 00779	DRAWING NO C-62757	RESTRICTED TO -
CUSTOMER DRAWING			WEIGHT -	SCALE 5:1	SHEET 1 OF 1	REV F	