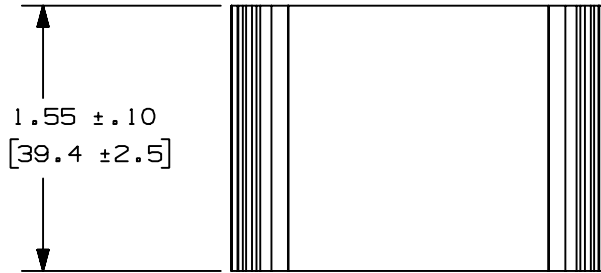


THIS COPY IS PROVIDED ON A RESTRICTED BASIS AND IS NOT TO BE USED IN ANY WAY DETRIMENTAL TO THE INTERESTS OF PANDUIT CORP.

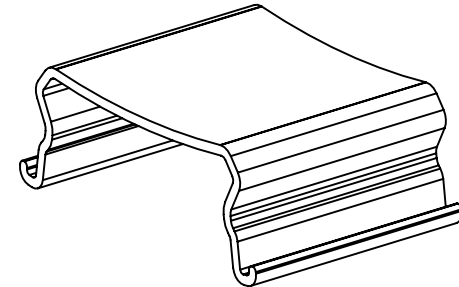
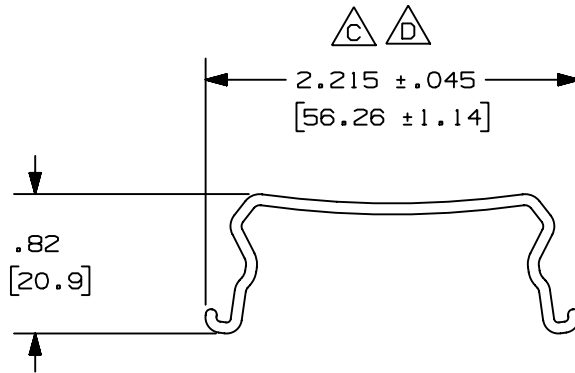
|             |                        |
|-------------|------------------------|
| PANDUIT P/N | WEIGHT                 |
| T45WR       | .191 lbs<br>[ 86.7 g ] |

△B



NOTES:

1. SEE CURRENT CATALOG FOR ADDITIONAL PART SUFFIXES TO INDICATE PACKAGE QUANTITY.
2. THIS PART SUPPORTS WIRE AND CABLE WEIGHT IN T45 RACEWAY WHEN MOUNTED IN ANY POSITION.
3. DIMENSIONS IN PARENTHESES ARE IN METRIC.



△A

CAD FILENAME/LAYERS D36975DU\_DC\_T45WR\_01B.PRT

PANDUIT CORP. TINLEY PARK, ILLINOIS  
T45 WIRE RETAINER (T45WR)  
CUSTOMER DRAWING

| REV | DATE     | BY   | CHK | DESCRIPTION  | ECN      | CHK  | CUST | SUP |
|-----|----------|------|-----|--|----------|------|------|-----|
| 2   | 12-21-04 | JBN  | BKR | D. REVISED DIMENSION: 2.215 ± .045 WAS 2.17-2.26             | 36975-56 | RGRO | RGRO |     |
| -   | -----    | ---  | --- | C. REVISED DIMENSION TO RANGE: 2.17-2.26 WAS 2.20            | -----    | ---- | ---- |     |
| 1   | 11-01-04 | JBN  | BKR | B. REVISED PART WEIGHT TO PER PC<br>A. BRING IN NEW GEOMETRY | 36975-56 | RGRO | RGRO |     |
| R   | 10-28-99 | RABO | HIW | RELEASED TO PRODUCTION                                       | 36975-56 | HIW  | HIW  |     |

UNLESS OTHERWISE SPECIFIED, DIMENSIONAL TOLERANCES ARE:  
(.X) ± (.XXX) ±  
(.XX) ±.03(.8) ANGLES ±

UNLESS OTHERWISE SPECIFIED, ALL DIMENSIONS ARE GIVEN IN INCHES, THIRD ANGLE PROJECTION.

DRAWN BY RABO

MAT'L:

SCALE NONE

DATE 10-28-99

PVC

DRAWING NO. 36975-56

DWG

CHECKED BY HIW

36975-56

A

SIZE