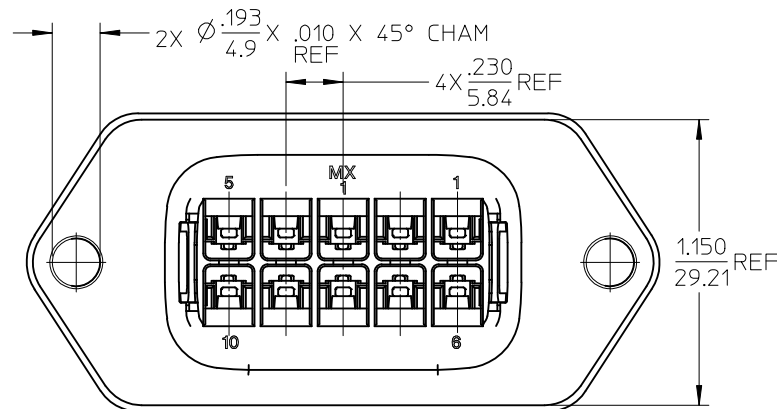
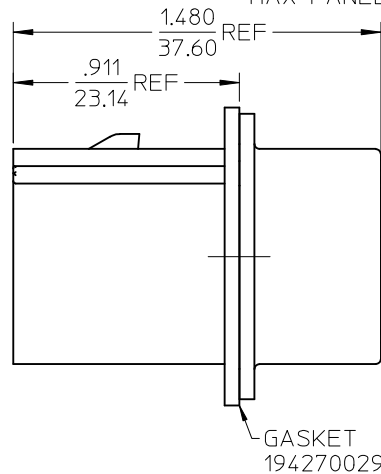
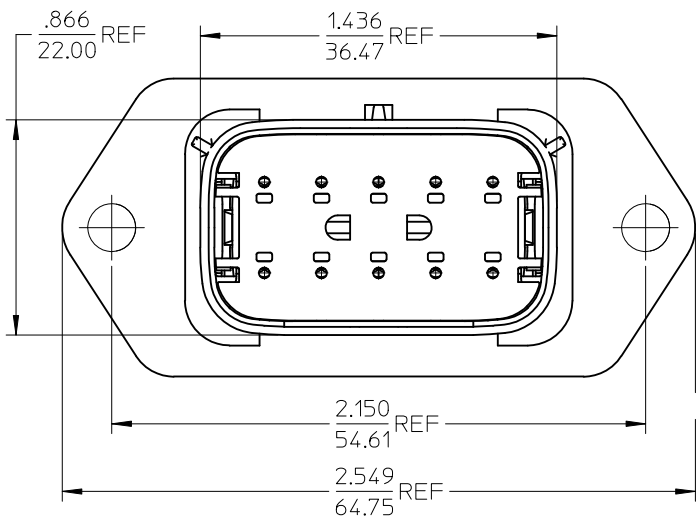


ASSEMBLED VIEW
SCALE 1:1



- (B)**
NOTES:
1. MATERIALS:
HOUSING: POLYESTER (PBT), GLASS FILLED, UL94 V-0.COLOR: BLACK
GASKET: EPDM RUBBER
2. PRODUCT SPECIFICATION: PS-19417-001.
3. PACKAGING SPECIFICATION: PK-19429-001.
GASKETS, IF REQUIRED FOR THE ASSEMBLIES, ARE BULK PACKAGED IN A SEPARATE BAG.
4. MATES WITH: 19418 SERIES RECEPTACLE ASSEMBLIES.
5. USE CONNECTOR WITH MALE CRIMP TERMINAL: SERIES 19417.
6. RECOMMENDED MOUNTING HARDWARE: (2) #10 X .62/15.8 LONG
PLASTIC THREAD CUTTING SCREWS, RECOMMENDED TORQUE 15-17 IN-LBS.
SUGGESTED SOURCE: ITW SHAKEPROOF INDUSTRIAL BOSSCREW OR EQUIVALENT.
7. ASSEMBLY IS ROHS COMPLIANT.

194290046	YES
194290030	NO
MATERIAL NUMBER	GASKET

REVISE NOTES EC NO: IPG2012-0161 DRWN: WLEUNG 2012/02/10 CHKD: APPR: DITITUS 2012/02/28	QUALITY SYMBOLS	GENERAL TOLERANCES (UNLESS SPECIFIED)	SCALE 2:1	DESIGN UNITS INCH
	-0 C/-0	mm	DIMENSION STYLE	
		INCH	IN/MM	
		4 PLACES ± --- ± ---	DRAWN BY DMYRICK	DATE 04/07/20
	3 PLACES ± --- ± .015	CHECKED BY JPAWLICK	DATE 04/07/20	
	2 PLACES ± 0.38 ± ---	APPROVED BY RDEROSS	DATE 04/07/20	
	1 PLACE ± --- ± ---	THIS DRAWING CONTAINS INFORMATION THAT IS PROPRIETARY TO MOLEX INCORPORATED AND SHOULD NOT BE USED WITHOUT WRITTEN PERMISSION		

THIRD ANGLE PROJECTION	REVISE ON CAD ONLY
TITLE 10 WAY PLUG PANEL MOUNT ASSEMBLY W/O BOSS 22-14 AWG	
MOLEX INCORPORATED	
MATERIAL NO.	DOCUMENT NO.
SEE CHART SD-19429-014	SHEET NO. 1 OF 1