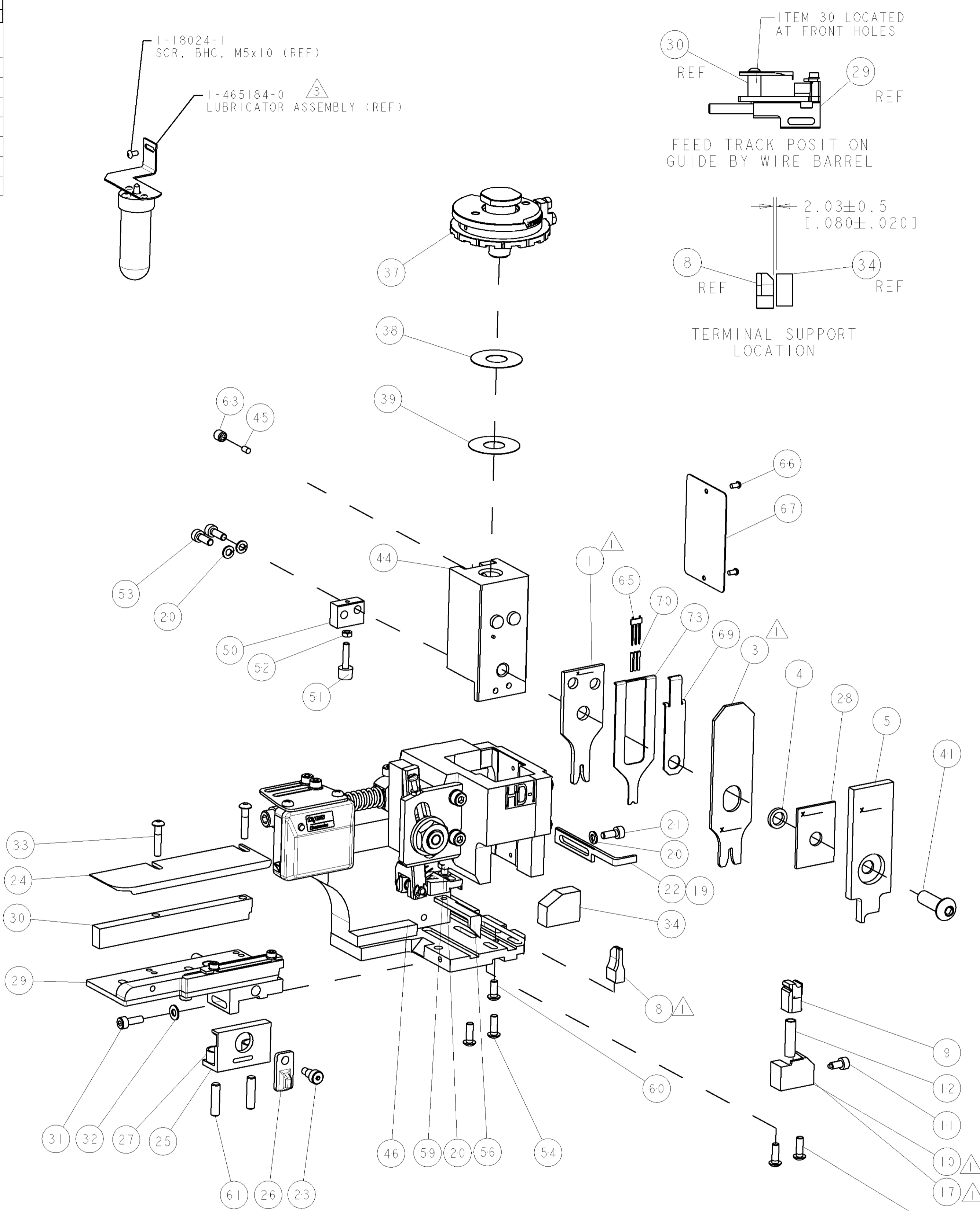


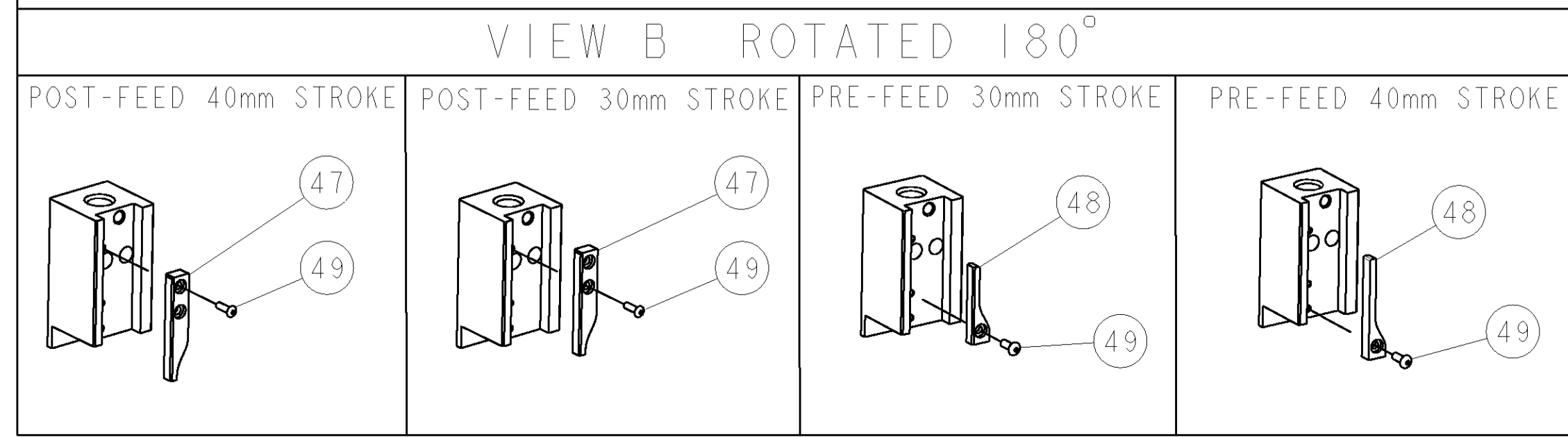
PART NUMBER	REV	TERMINATOR	FEED TYPE	DESCRIPTION
1528670-1	A	LEADMAKER	MECH POST FEED	CUTS CARRIER
1528670-2	A	BENCH	MECH PRE FEED	CUTS CARRIER
1528670-6	A	LEADMAKER	MECH POST FEED	CONTINUOUS CARRIER
7-1528670-1	A	LEADMAKER	MECH POST FEED	-1 AND SPARE PARTS
7-1528670-2	A	BENCH	MECH PRE FEED	-2 AND SPARE PARTS
7-1528670-6	A	LEADMAKER	MECH POST FEED	-6 AND SPARE PARTS
7-1528670-7	A	-	-	SPARE PARTS KIT

CRIMP DATA		TYCO TERMINAL	TYCO CRIMP SPEC
TERMINAL NAME: FASTON 2.8 TERMINAL			
CRIMP	SIZE	TYPE	RANGE
WIRE	2.03 [1.080 IN]	F	1.00-1.50mm <sup>2</sup>
INSUL	2.54 [1.100 IN]	OV	1.57-2.40 [1.062-.094 IN] <sup>5</sup>
WIRE STRIP LENGTH 3.90-4.70 [1.54-.185 IN]		APPL INSTRUCTIONS 408-8322 & 408-8490	
TERMINAL APPL SPEC	114-18022	FEED	11.00 [4.433 IN]
TERMINALS APPLIED			
1719362	-	-	-
-	-	-	-
-	-	-	-
-	-	-	-
-	-	-	-
WIRE SIZE	CRIMP HEIGHT	REF SETTING	
1.50 mm <sup>2</sup>	1.36 ±0.05 [1.054 ±.002 IN]	C6	
1.00 mm <sup>2</sup>	1.20 ±0.05 [1.047 ±.002 IN]	D8	

- △ RECOMMENDED SPARE PARTS.
- 2. GREASE RAM, CAM, CAM FOLLOWER AND FEED ROD LIGHTLY.
- 3. CERTAIN TERMINALS REQUIRE LUBRICATION. REFER TO THE APPLICATOR INSTRUCTION SHEET FOR MORE INFORMATION.
- 4. LUBRICATE DAILY PER THE APPLICATOR INSTRUCTION SHEET SUPPLIED WITH THE APPLICATOR.
- 5. RANGE 1.57-2.00 ONLY VALID FOR RAYCHEM CABLE, PN.S 956340 AND 956315. STANDARD INSULATION RANGE IS 1.90 - 2.40 [1.075 - .094 IN].



\* WARNING  
ON INSTALLATION, SET WIRE DISC TO LARGEST WIRE SIZE SETTING. USE OF SETTINGS BELOW MIN. REQUIRED CRIMP HEIGHT SETTING WILL CAUSE DAMAGE TO CRIMP TOOLING.



-77	-76	-72	-71	-6	-2	-1	PART NO	DESCRIPTION	ITEM NO
-	-	-	-	-	-	-	-	-	84
-	-	-	-	-	-	-	-	-	83
-	-	-	-	-	-	-	-	-	82
-	-	-	-	-	-	-	-	-	81
-	-	-	-	-	-	-	-	-	80
-	-	-	-	-	-	-	-	-	79
-	-	-	-	-	-	-	-	-	78
-	-	-	-	-	-	-	-	-	77
-	-	-	-	-	-	-	-	-	76
-	-	-	-	-	-	-	-	-	75
-	-	-	-	-	-	-	-	-	74

SET UP GAGE  
458637-3

LOC	DIST	REV	DATE	BY	APPV
A	66		19OCT2006	DP	MC
A1			10JAN2007	DP	MC

QTY	REV	DESCRIPTION	DATE	BY	APPV
-	-	1490525-1	DEPRESSOR, WIRE		73
-	-	-	-		72
-	-	1338705-3	DOCUMENTATION PACKAGE		71
-	3	2-23147-2	SPRING, COMPRESSION		70
-	-	1490524-2	DEPRESSOR, SPACER		69
-	-	-	-		68
-	-	461264-5	PLATE, IDENTIFICATION		67
-	2	21017-2	SCREW, DRIVE		66
-	-	1424350-1	HOLDER, PIN, WIRED		65
-	-	-	-		64
-	-	3-18031-0	SCR, SET, CUP POINT M6 X 6.0		63
-	-	-	-		62
-	2	2-18032-5	SCR, SET, FLT POINT M5 X 20.0		61
-	-	18024-7	SCR, BTN SKT HD CAP (M4 X 10.0)		60
-	-	5-18022-2	SCR, HEX HD CAP M4 X 8.0		59
-	-	-	-		58
-	-	-	-		57
-	-	1338685-1	PAWL, FEED		56
-	-	-	-		55
-	4	18024-8	SCR, BTN SKT HD CAP (M4 X 12.0)		54
-	2	1-18023-2	SCR, SKT HD CAP M4 X 12.0		53
-	-	18030-1	NUT, HEX, REG M3		52
-	-	811242-5	BUMPER, HOLD DOWN		51
-	-	690753-2	SPACER, TONKER		50
-	-	18024-3	SCR, BTN SKT HD CAP (M3 X 10.0)		49
-	-	1338675-1	CAM, UNIVERSAL PRE FEED		48
-	-	1338676-1	CAM, UNIVERSAL POST-FEED		47
-	-	1320999-3	APPLICATOR SUBASSEMBLY, HDI		46
-	-	690191-1	PLUG, NYLON		45
-	-	1338660-1	RAM		44
-	-	-	-		43
-	-	-	-		42
-	-	2-18024-6	SCR, BTN SKT HD CAP (M8 X 25.0)		41
-	-	-	-		40
-	-	690125-1	SHIM SUB-ASSY		39
-	-	1-469367-0	SHIM		38
-	-	879103-2	FINE ADJUST HEAD SUBASSY		37
-	-	-	-		36
-	-	-	-		35
-	-	2-1320934-5	SUPPORT, TERMINAL		34
-	2	1-18024-0	SCR, BTN SKT HD CAP (M4 X 20.0)		33
-	-	18027-2	WASHER, FLAT, REG M4		32
-	-	1-18023-2	SCR, SKT HD CAP M4 X 12.0		31
-	-	1320908-1	SPACER, STRIP GUIDE		30
-	-	1633073-1	STRIP GUIDE ASSEMBLY		29
-	-	1-455888-5	SPACER, CRIMPER		28
-	2	1-22284-0	SPRING, COMPRESSION		27
-	-	356835-1	LEVER, DRAG RELEASE		26
-	-	240792-1	DRAG, TERMINAL		25
-	-	1320928-1	PLATE, STRIP GUIDE		24
-	-	980371-4	SCR, SKT HD SHLDR 5.0 DIA X 6.0		23
-	-	690472-2	STRIPPER		22
-	-	1-18023-1	SCR, SKT HD CAP M4 X 10.0		21
-	4	18025-2	WASHER, SPRG LOCK, REG M4		20
-	-	690472-1	STRIPPER		19
-	-	-	-		18
-	-	1338684-1	HOLDER, SHEAR, NO-CUT		17
-	-	-	-		16
-	-	-	-		15
-	-	-	-		14
-	-	-	-		13
-	-	3-22280-3	SPRING, COMPRESSION		12
-	-	356885-4	STOP, SHEAR		11
-	-	1320921-1	SHEAR HOLDER, FRONT, CUT		10
-	-	462006-1	FLOATING SHEAR, FRONT		9
-	1	2-1633131-0	ANVIL, COMBINATION .080		8
-	-	-	-		7
-	-	-	-		6
-	-	1-455889-4	DEPRESSOR, SHEAR		5
-	-	2-238011-2	BLOCK, CRIMPER SPACER		4
-	1	2-854830-4	CRIMPER, INSULATION SPECIAL		3
-	-	-	-		2
-	1	1-456405-6	CRIMPER, WIRE PREMIUM		1

DIMENSIONS: mm [IN]	TOLERANCES UNLESS OTHERWISE SPECIFIED: 0 PLC ± 1 PLC ± 2 PLC ± 3 PLC ± 4 PLC ± ANGLES ±	DWG: L LOFHOUSE 13JUN06 CHK: M CLIFFORD 13JUN06 NAME: FINE ADJUST SIDE FEED HDI APPLICATOR PRODUCT SPEC: See Table APPLICATION SPEC: See Table WEIGHT: A1 CUSTOMER DRAWING: A1	Tyco Electronics Harrisburg, PA 17105-3608 SCALE: 3:5 SHEET 1 OF 1 REV: A1
------------------------	---	--	--