

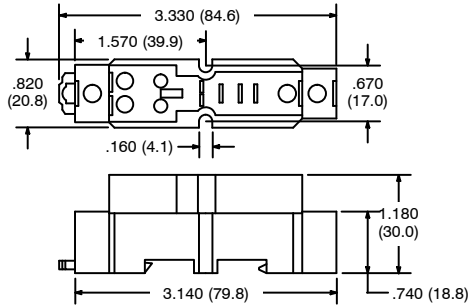
## RLY9207

### Features

- For R11 Series Relays
- DIN Rail/Panel Mount
- Pressure Clamp Screws

### Electrical Rating:

300 Volts, 16 Amps



## 5-Pin Blade Socket



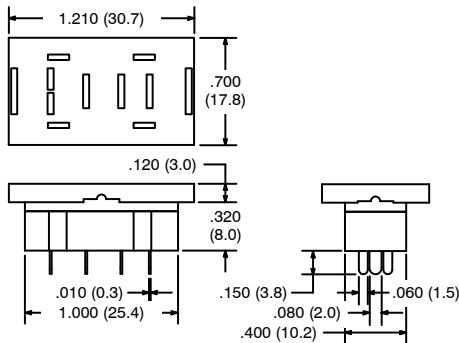
## RLY9208

### Features

- For R11 Series Relays
- PCB Mount

### Electrical Rating:

300 Volts, 10 Amps



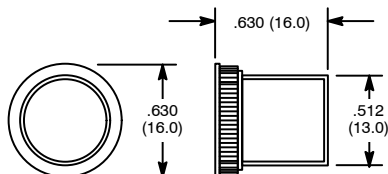
## 5-Pin Blade Socket



## R58-Boot

### Features

- For R58 Series Circuit Breakers
- Waterproof
- M11 Thread
- Clear Silicon



## Protective Boot

