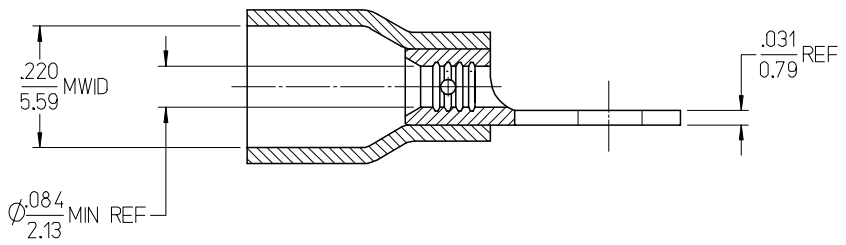
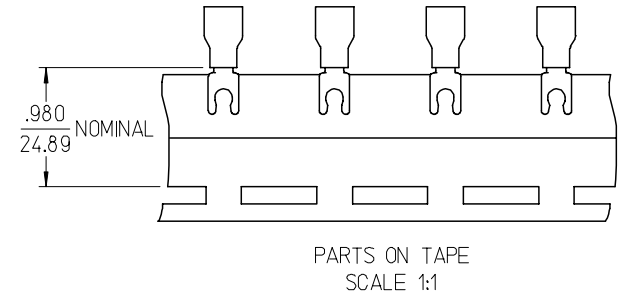
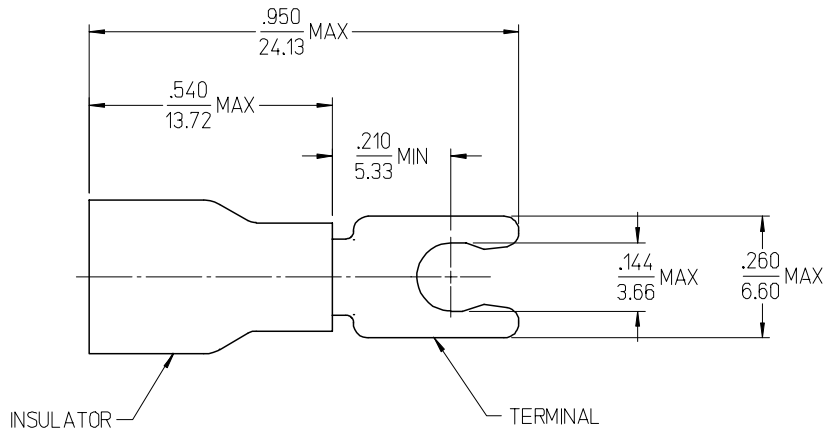


10	9	8	7	6	5	4	3	2	1	
MATERIAL NO. LOOSE PC	ENGINEERING NO. LOOSE PC	MATERIAL NO. ON TAPE	ENGINEERING NO. ON TAPE	WIRE SIZE	STUD SIZE	INSULATOR COLOR				
190990077	BB-2707-06XX	190990029	BB-2707-06XXT	16-14 AWG	6	BLUE				



- NOTES:
1. TERMINAL MATERIAL: COPPER
 2. TERMINAL FINISH: TIN PLATED
 3. INSULATOR MATERIAL: PVC
 4. MWID = MAXIMUM WIRE INSULATION DIAMETER.
 5. ASSEMBLY IS ROHS COMPLIANT.

INITIAL RELEASE	DESCRIPTION
EC NO: ETC2007-0317	2007/03/14
DRW: NEHLE	2007/03/14
CHKD:	2007/03/14
APPR: JMACNEIL	2007/03/15
REV	
A	

QUALITY SYMBOLS
▽=0
▽=0

GENERAL TOLERANCES (UNLESS SPECIFIED)	
4 PLACES	± .005
3 PLACES	± .004
2 PLACES	± .003
1 PLACE	± .002
ANGULAR ± .005°	
DRAFT WHERE APPLICABLE MUST REMAIN WITHIN DIMENSIONS	

DIMENSION STYLE	
IN/MM	
DRAWN BY	DATE
EHILE	2007/02/26
CHECKED BY	DATE
JMACNEIL	2007/02/26
APPROVED BY	DATE
JMACNEIL	2007/02/26
MATERIAL NO.	
SEE CHART	
SIZE	B

SCALE	DESIGN UNITS	THIRD ANGLE PROJECTION
4:1	INCH	
TITLE		
SNAP SPADE TERMINAL, 16-14 AWG, INSULKRIMP, EXPANDED		
MATERIAL NO.		
SEE CHART		
DOCUMENT NO.		
SD-19099-002		
SHEET NO.		
1 OF 1		