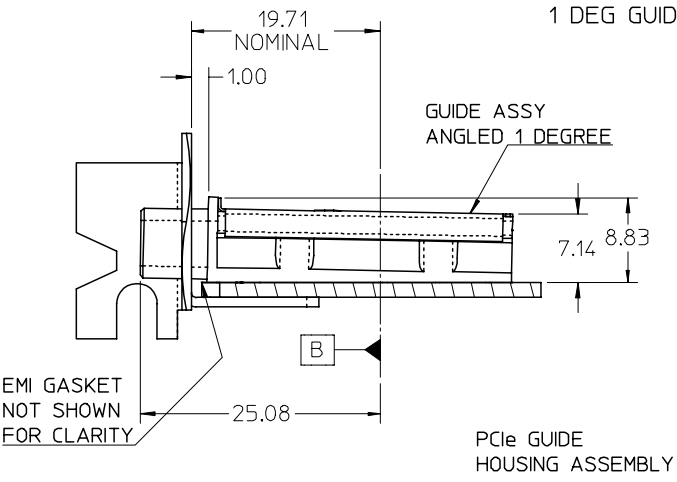


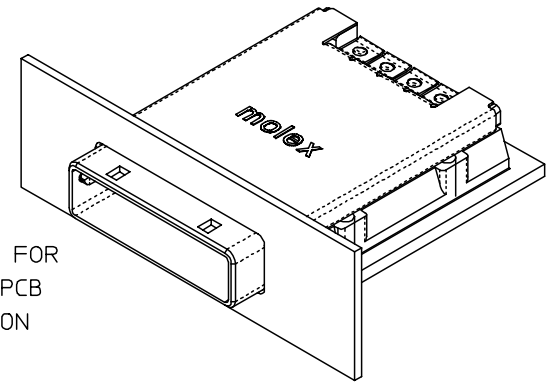
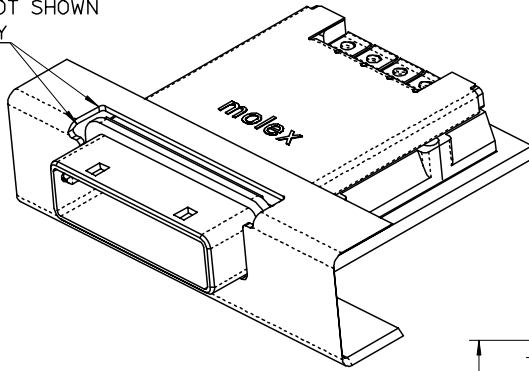
- NOTES:
- 1. REF. PCI EXPRESS CARD ELECTROMECHANICAL SPECIFICATION, REV 1.0a FOR IO BRACKET WINDOW LOCATION.
  - 2. PCB AND IO BRACKET SHOWN FOR REFERENCE ONLY.
  - 3. REFER TO SHEET 2 FOR ATCA GUIDE HOUSING ASSEMBLY. SEE SHEET 3 FOR SCREEN LENGTH + TORQUE SPEC.
  - 4. GUIDE HOUSING MOUNTING THREAD= M2 X 0.4
  - 5. PCB NOTCH IS SHOWN FOR PCI COMPLIANT BOARD.
  - 6. THIS PRODUCT MEETS THE RESTRICTION OF HAZARDOUS SUBSTANCES IN ELECTRICAL AND ELECTRONIC EQUIPMENT (RoHS) DIRECTIVE (2002/95/EC)
  - 7. PLATE GROUND PAD WITH EMERSON SILVER OR GOLD.
  - 8. MATES WITH MOLEX 4X CABLE SERIES 74546-040X.
  - 9. GUIDE HOUSING PEGS FOR ALIGNMENT ONLY. "DO NOT SOLDER"



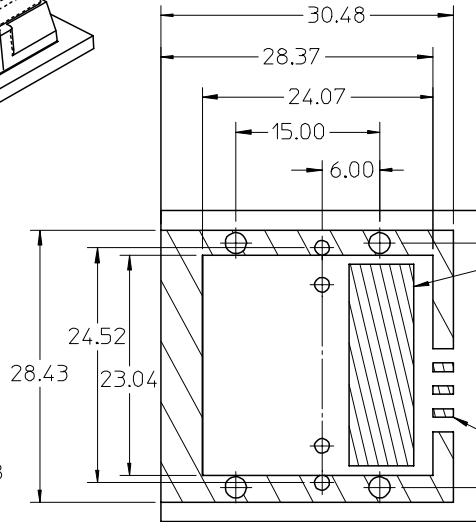
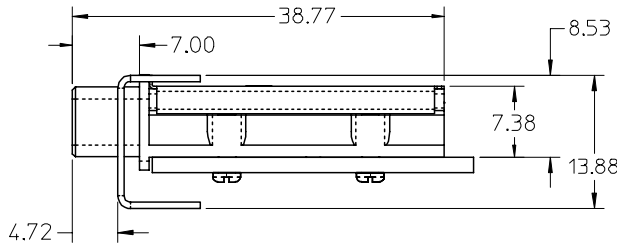
iPass™ is a trademark of Molex.

ENTER DESCRIPTION EC NO: USY2007-0169 DRWNS: NAVARRO 2006/11/08 CHKD: BREED 2006/11/13 APPR: DDOYE 2006/11/14	QUALITY SYMBOLS ▽=0 ▽=0	GENERAL TOLERANCES (UNLESS SPECIFIED)		DIMENSION STYLE MM ONLY		SCALE 2:1	DESIGN UNITS METRIC	THIRD ANGLE PROJECTION		
						DRAWN BY BAREED		DATE 2005/02/03		TITLE IPASS X4 EMI GUIDE HOUSING ASSEMBLY
						CHECKED BY DDOYE		DATE 2005/02/03		
						APPROVED BY DDOYE		DATE 2005/02/03		MOLEX INCORPORATED
		ANGULAR ±1/2°		MATERIAL NO. SEE TABLE		DOCUMENT NO. SD-74540-400		SHEET NO. 1 OF 3		
		DRAFT WHERE APPLICABLE MUST REMAIN WITHIN DIMENSIONS		SIZE B		THIS DRAWING CONTAINS INFORMATION THAT IS PROPRIETARY TO MOLEX INCORPORATED AND SHOULD NOT BE USED WITHOUT WRITTEN PERMISSION				

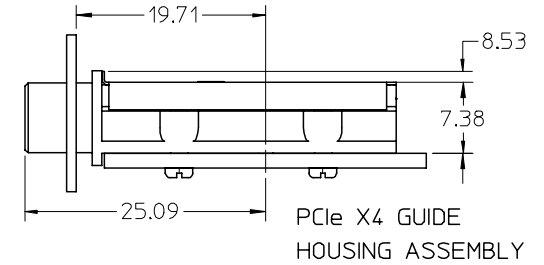
GASKETS NOT SHOWN FOR CLARITY



REF. SD-75586-001 FOR RECEPTACLE AND PCB LAYOUT INFORMATION

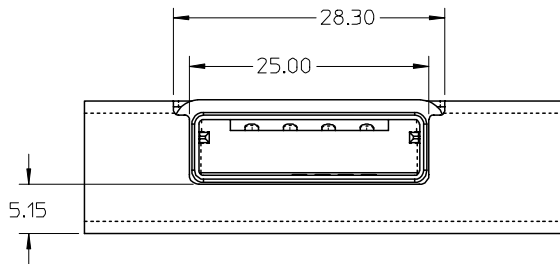


REF. SHEET 3 FOR GROUND PAD ALLEY LAYOUT INFORMATION



STANDARD APPLICATION SHOWN USING 0 DEGREE GUIDE HOUSING ASSEMBLY

iPass™ is a trademark of Molex.

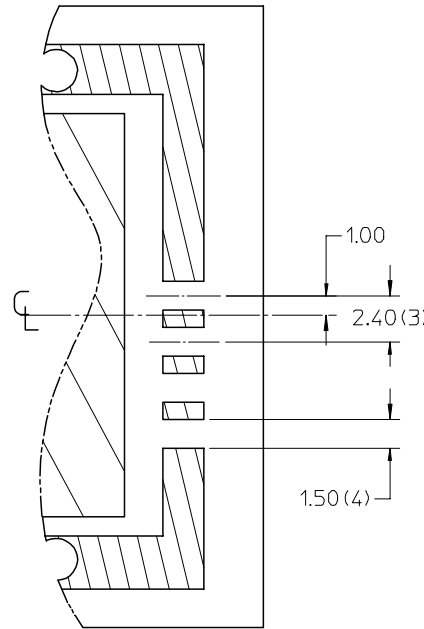


ADVANCED TCA APPLICATION SHOWN USING 0 DEGREE GUIDE HOUSING ASSEMBLY

ENTER DESCRIPTION EC NO: USY2007-0169 DRWN: SNAVARRO CHKD: BREED APPR: DDOYE	QUALITY SYMBOLS ▽=0 ▽=0	GENERAL TOLERANCES (UNLESS SPECIFIED)		DIMENSION STYLE MM ONLY		SCALE 2:1	DESIGN UNITS METRIC	THIRD ANGLE PROJECTION
		4 PLACES ± --- ± ---	DRAWN BY BAREED	DATE 2005/02/03	TITLE IPASS X4 EMI GUIDE HOUSING ASSEMBLY			
		3 PLACES ± --- ± ---	CHECKED BY DDOYE	DATE 2005/02/03				
		2 PLACES ± 0.05 ± ---	APPROVED BY DDOYE	DATE 2005/02/03	MOLEX INCORPORATED			
1 PLACE ± 0.10 ± ---	MATERIAL NO. SEE TABLE		DOCUMENT NO. SD-74540-400	SHEET NO. 2 OF 3				
DRAFT WHERE APPLICABLE MUST REMAIN WITHIN DIMENSIONS		THIS DRAWING CONTAINS INFORMATION THAT IS PROPRIETARY TO MOLEX INCORPORATED AND SHOULD NOT BE USED WITHOUT WRITTEN PERMISSION						

P/N	DESCRIPTION	GEN
745400400	4X EMI Guide Housing Assembly - PCIe / 1 Deg	Gen 1
745400500	4X EMI Guide Housing Assembly - ATCA / 0 Deg	Gen 1

PCB THICKNESS	SCREW LENGTH	TORQUE (IN LBS)
1.6 (.063")	5MM	2.3
2.38 (.093")	6MM	2.3
3.2 (.125")	6MM	2.3
	+4MM MAX	2.3



PARTIAL1  
SCALE 4:1  
GROUND PAD ALLEY  
LAYOUT INFORMATION



ENTER DESCRIPTION EC NO: USY2007-0169 DRWN: SNAVARRO CHKD: BREED APPR: DDOYE	2006/11/08 2006/11/13 2006/11/14	DESCRIPTION REV	QUALITY SYMBOLS ▽=0 ▽=0	GENERAL TOLERANCES (UNLESS SPECIFIED)		DIMENSION STYLE MM ONLY		SCALE 1:1	DESIGN UNITS METRIC	THIRD ANGLE PROJECTION			
				4 PLACES ± --- ± ---	3 PLACES ± --- ± ---	2 PLACES ± 0.05 ± ---	1 PLACE ± 0.10 ± ---	ANGULAR ±1/2°	DRAWN BY BAREED	DATE 2005/02/03	TITLE IPASS X4 EMI GUIDE HOUSING ASSEMBLY		
				DRAFT WHERE APPLICABLE MUST REMAIN WITHIN DIMENSIONS		SEE TABLE	APPROVED BY DDOYE			DATE 2005/02/03	MOLEX INCORPORATED		
						MATERIAL NO. SEE TABLE	DOCUMENT NO. SD-74540-400		SHEET NO. 3 OF 3				