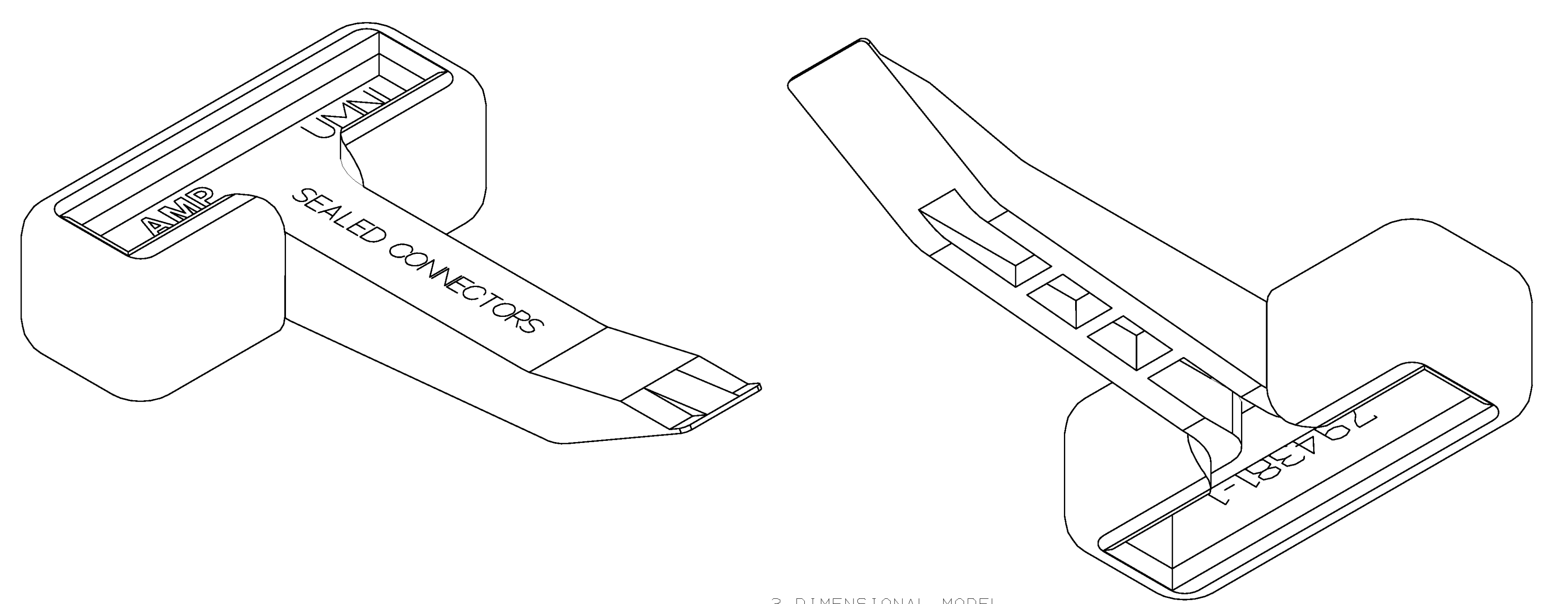
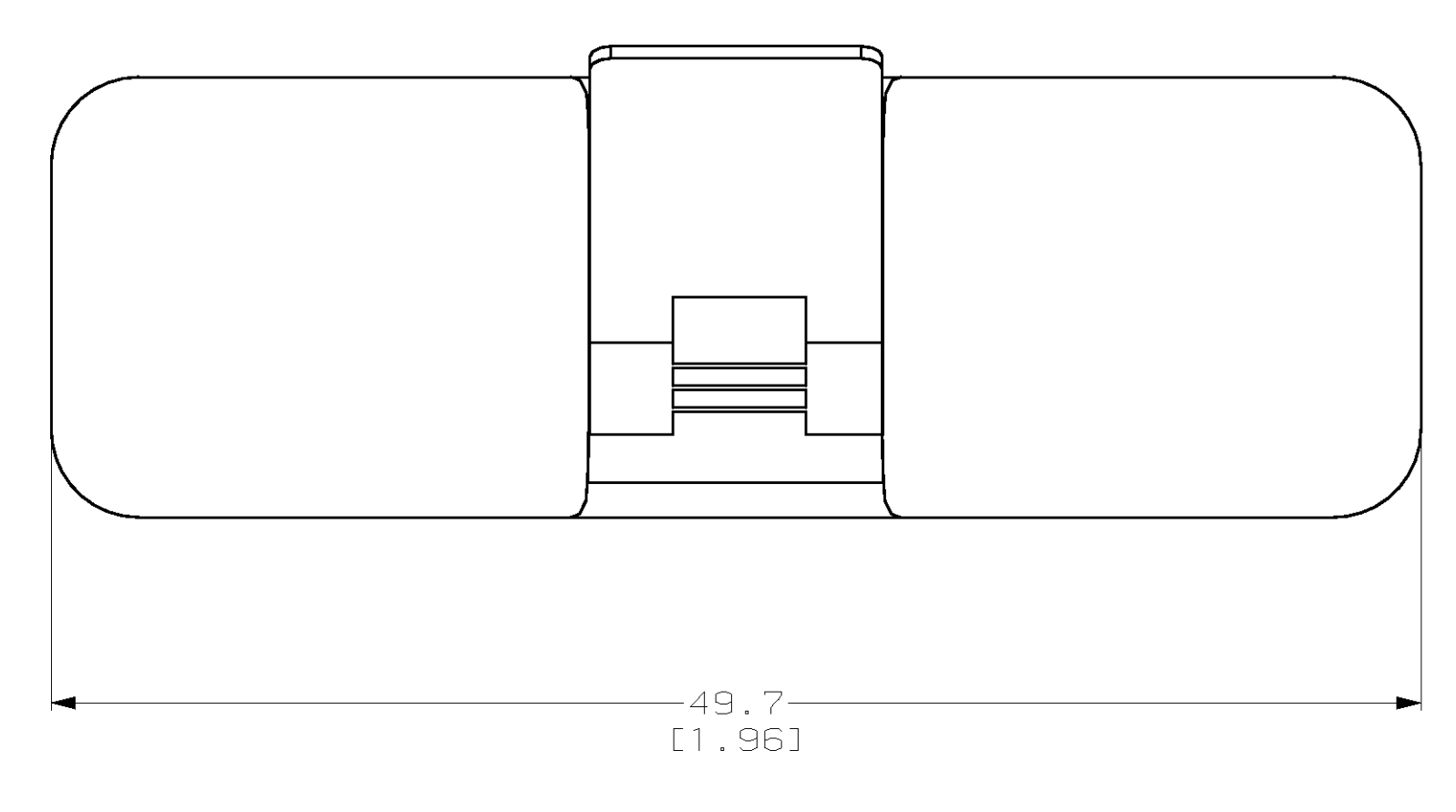
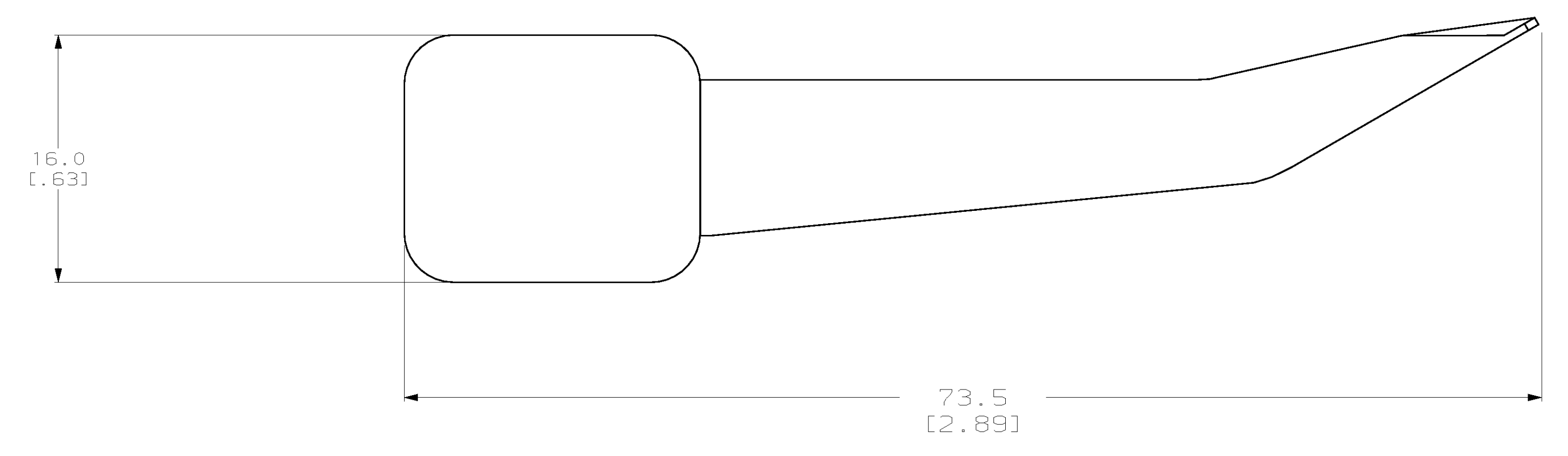
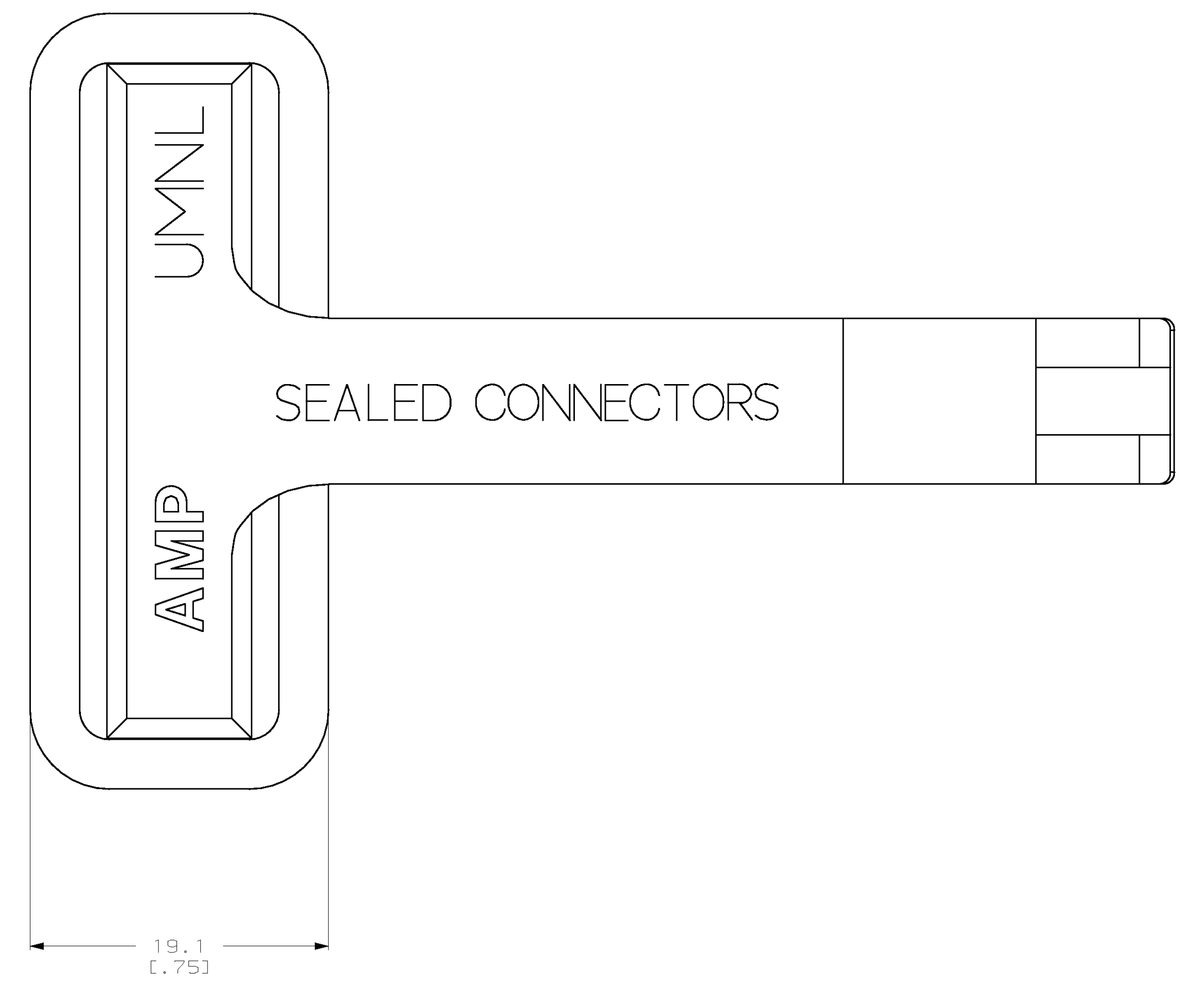


REV. NO.		REVISIONS		DATE	BY
CM	53	0	RLSD PER PR CM 97-82	7-08-97	BL

1. DIMENSIONS IN BRACKETS ARE IN INCHES.



3-DIMENSIONAL MODEL  
NT5

794381-1  
PART NUMBER

THIS DRAWING IS A CONTROLLED DOCUMENT.		DATE	7-08-97
DRAWN BY: B. LEWIS		DATE	7-08-97
CHECKED BY: B. SHING		DATE	7-08-97
APPROVED BY: [Signature]		DATE	7-08-97
DESCRIPTION: SEALED CONNECTOR LATCH TOOL		SCALE	4:1
MATERIAL: NYLON, UL94V-0, BLACK		FINISH	-
WEIGHT		HEIGHT	-
CUSTOMER DRAWING		SIZE	A0

