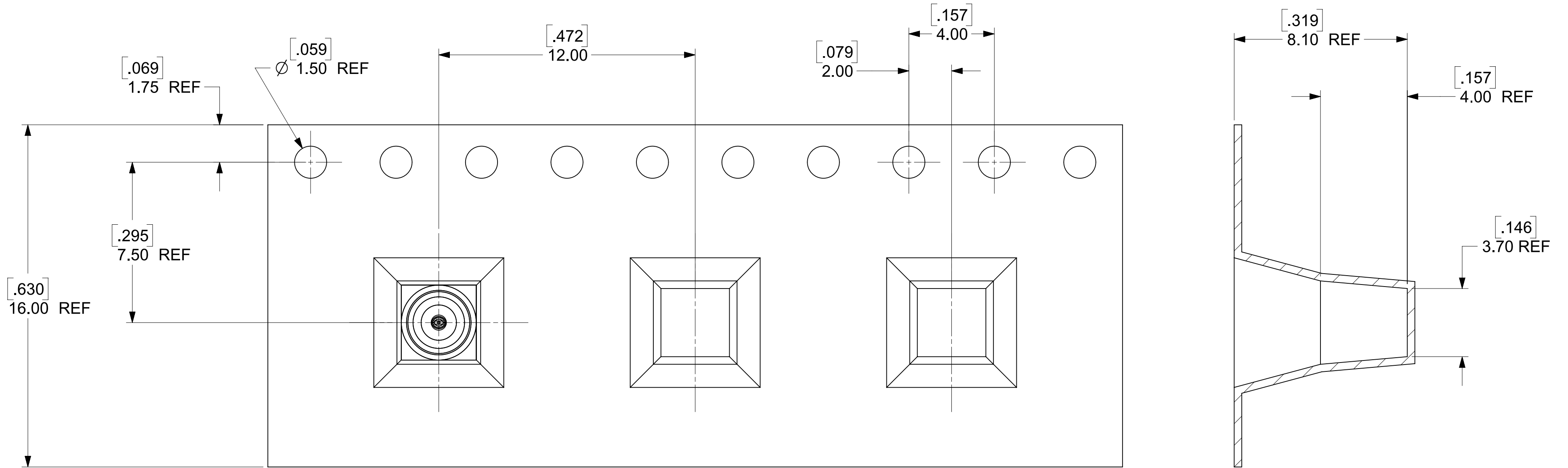
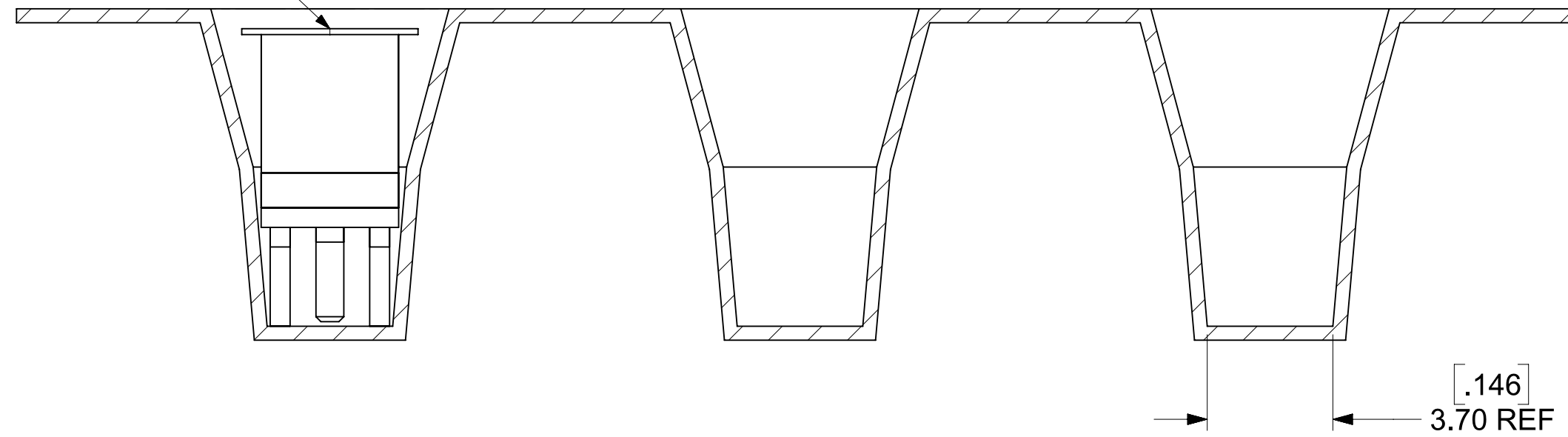


NOTE
DIMENSIONS ARE PROVIDED FOR REFERENCE ONLY



KAPTON



(FOR 73415-1475)

SYMBOLS		THIS DRAWING CONTAINS INFORMATION THAT IS PROPRIETARY TO MOLEX ELECTRONIC TECHNOLOGIES, LLC AND SHOULD NOT BE USED WITHOUT WRITTEN PERMISSION	
DIMENSION UNITS	SCALE	CURRENT REV DESC:	
$\nabla = 0$	MM/INCH	NTS	EWR-14517-B
$\nabla = 0$	GENERAL TOLERANCES (UNLESS SPECIFIED)		ADDED 73414-0990 PART NO
$\nabla = 0$	ANGULAR TOL $\pm 2.0^\circ$		EC NO: 675460
$\nabla = 0$	4 PLACES	\pm	2021/08/19
$\nabla = 0$	3 PLACES	\pm	2021/08/31
$\nabla = 0$	2 PLACES	\pm	2021/08/31
$\nabla = 0$	1 PLACE	\pm	INITIAL REVISION:
$\nabla = 0$	0 PLACES	\pm	DRWN: RFC_PLMIMP 2017/12/28
$\nabla = 0$	DRAFT WHERE APPLICABLE MUST REMAIN WITHIN DIMENSIONS		APPR: JWIENER 2007/01/09
$\nabla = 0$	THIRD ANGLE PROJECTION	DRAWING	SERIES
$\nabla = 0$		C-SIZE	73415

molex			
MMCX JACK, PCB MOUNT 50 OHMS MMCX-J/PCB			
PRODUCT CUSTOMER DRAWING			
DOCUMENT NUMBER	DOC TYPE	DOC PART	REVISION
SD-73415-147	PSD	001	C5
MATERIAL NUMBER	CUSTOMER	SHEET NUMBER	
	GENERAL MARKET	2 OF 3	

13" REEL SIZE

12.993 ±.020
 Ø 330.02 ±0.51

.647
 16.43 MIN

.502
 Ø 12.75 REF

250 MM EMPTY MIN


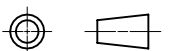
250 MM EMPTY MIN

ORDER QUANTITY PACKED

230.00 MIN

LABEL

- ORDER NO.
- QUANTITY
- PART NO.
- LOT NO.

SYMBOLS	THIS DRAWING CONTAINS INFORMATION THAT IS PROPRIETARY TO MOLEX ELECTRONIC TECHNOLOGIES, LLC AND SHOULD NOT BE USED WITHOUT WRITTEN PERMISSION										
	DIMENSION UNITS	SCALE	CURRENT REV DESC:								
▽ = 0	MM/INCH	NTS	EWR-14517-B ADDED 73414-0990 PART NO								
▽ = 0	GENERAL TOLERANCES (UNLESS SPECIFIED)		EC NO: 675460							PRODUCT CUSTOMER DRAWING	
▽ = 0	ANGULAR TOL ± 2.0°		DRWN: JSU18 2021/08/19								
▽ = 0	4 PLACES ±		CHK'D: YCHENG 2021/08/31							DOC TYPE PSD	
▽ = 0	3 PLACES ±		APPR: YCHENG 2021/08/31								
▽ = 0	2 PLACES ±		INITIAL REVISION:							REVISION C5	
▽ = 0	1 PLACE ±		DRWN: RFC_PLMIMP 2017/12/28								
▽ = 0	0 PLACES ±		APPR: JWIENER 2007/01/09							CUSTOMER GENERAL MARKET	
▽ = 0	DRAFT WHERE APPLICABLE MUST REMAIN WITHIN DIMENSIONS		THIRD ANGLE PROJECTION	DRAWING	SERIES	MATERIAL NUMBER					
▽ = 0				C-SIZE	73415	GENERAL MARKET				3 OF 3	

DOCUMENT STATUS	P1	RELEASE DATE	2021/08/31	04:55:36
-----------------	----	--------------	------------	----------