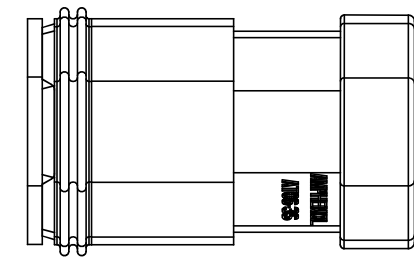


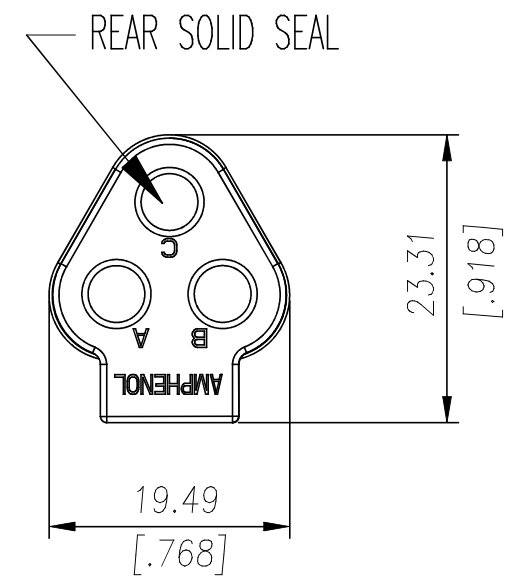
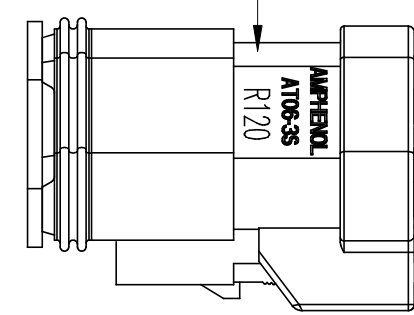
REVISIONS						
REV	ZONE	ECO	DESCRIPTION	DATE	BY	APPR
01	--	--	RELEASE	05MAR12	RFC	RFC
02	--	--	UPDATE DRAWING FORMAT	06NOV13	DRP	DRP

NOTES: UNLESS OTHERWISE SPECIFIED

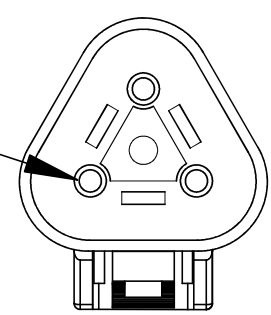
- 1 DIMENSIONS ARE FOR REFERENCE ONLY.
- 2 PART NUMBER AT06-3S-RJL120 IS FULLY ASSEMBLED READY FOR INSTALLATION.
- 3 COLOR TO BE SINE SYSTEMS STANDARD 'AT' GREY.



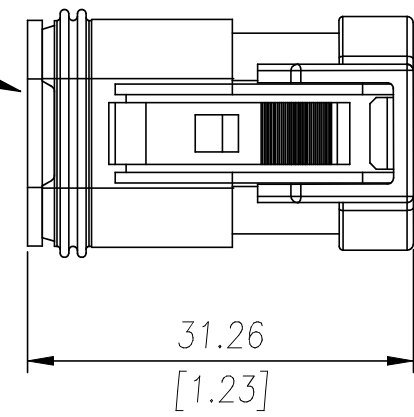
LASER MARK "R120"
RESISTOR VALUE



FEMALE CONTACT
MACHINED, GOLD
AT62-201-1631
2x

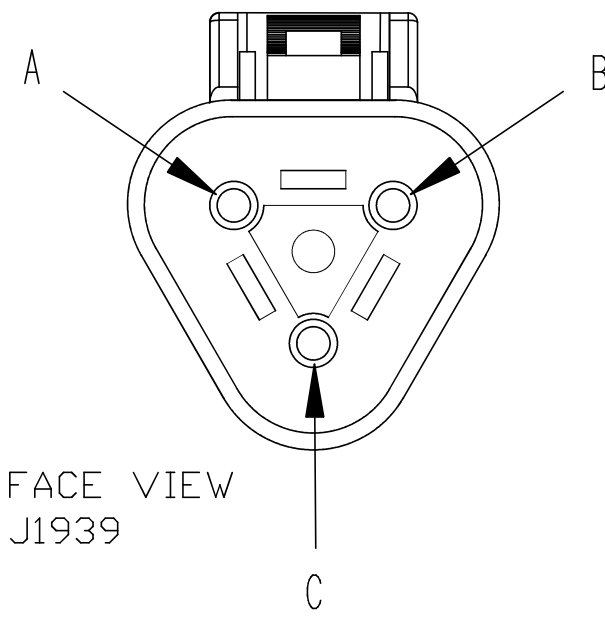
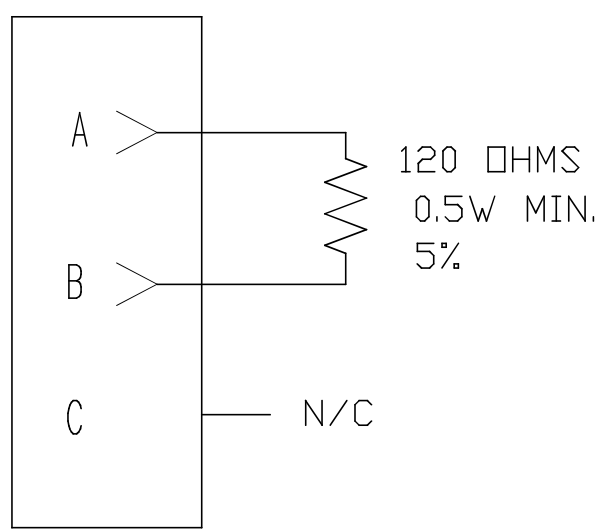


WEDGE
AW3S-1939



LATCH GUARD CAP

WIRING DIAGRAM



FACE VIEW
J1939

CUSTOMER DRAWING

ITEM	PART NUMBER	Qty	DESCRIPTION	REMARK
MATERIALS LIST				
UNLESS OTHERWISE SPECIFIED 1) All dimensions are in metric(mm). 2) Tolerances are as follows: 1 PL DEC ±0.20 2 PL DEC ±0.10 3 PL DEC ±0.05			MATERIAL SPECIFICATIONS: 05-MAR-12	SINE Systems Corporation A Subsidiary of Amphenol Corporation
SIGNATURE			PROCESS SPECIFICATIONS: IPC620-A	
DATE			PLUG, J1939, LATCH GUARD, 120 OHM	
DRAWN R. CURRY 05-MAR-12			DWG NO: AT06-3S-RJL120	
CHECKED R. CURRY 05-MAR-12			THIRD ANGLE PROJECTION	
ENGINEER R. CURRY 05-MAR-12			FSCM NO.	
APPROVAL R. CURRY 05-MAR-12			SIZE A3	
CUSTOMER ALL			MASS	
			REV. 02	
			SCALE NONE	
			NEXT ASSY:	
			SHEET 1 OF 1	

THIS DRAWING IS SUPPLIED FOR INFORMATION ONLY. DESIGN FEATURES, SPECIFICATIONS AND PERFORMANCE DATA SHOWN HEREON ARE THE PROPERTY OF THE AMPHENOL CORPORATION. NO RIGHTS OF REPRODUCTION ARE IMPLIED. ALL DIMENSIONS ARE SUBJECT TO NORMAL MANUFACTURING VARIATIONS.