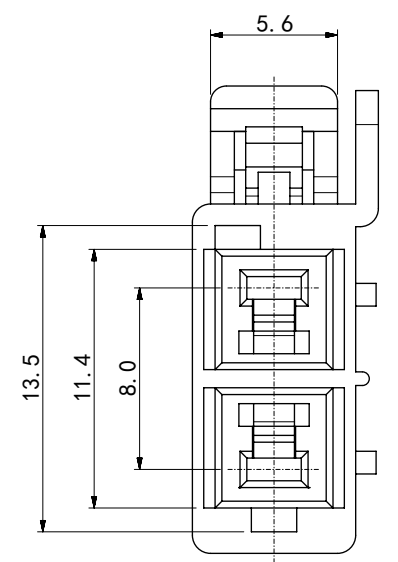
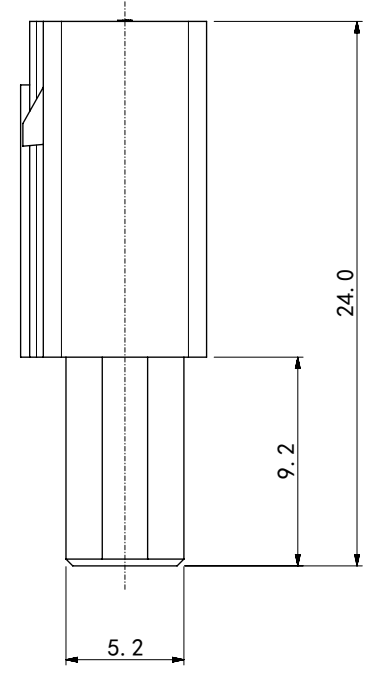
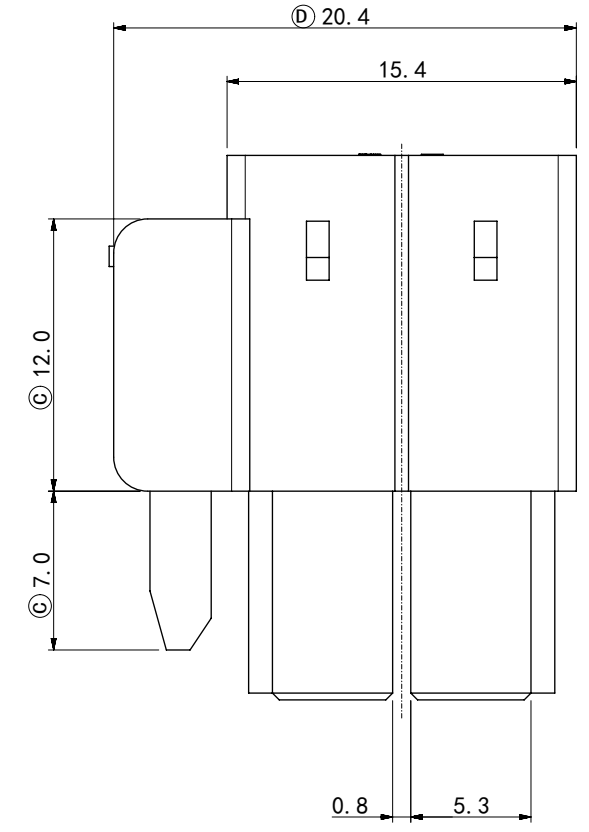
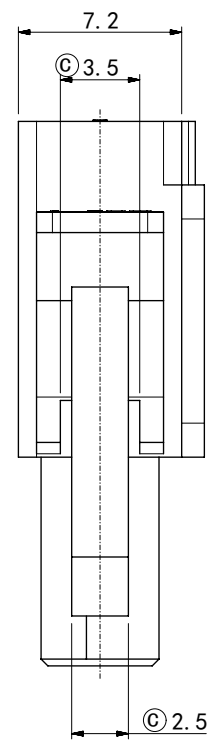
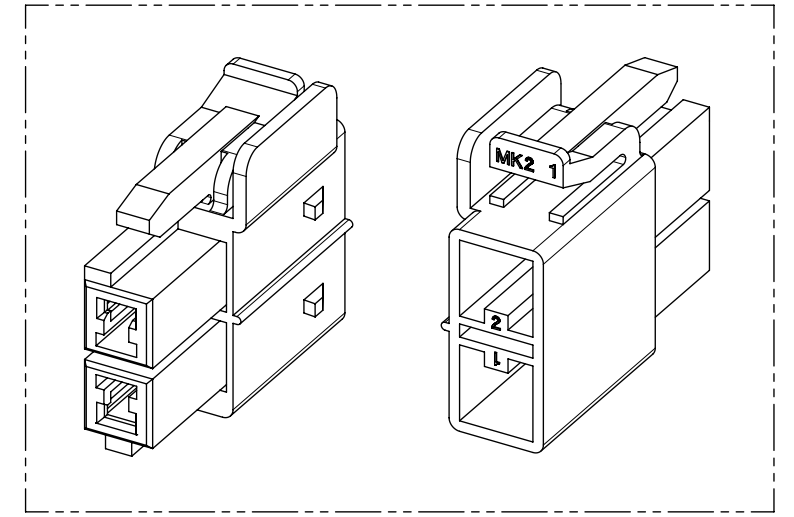


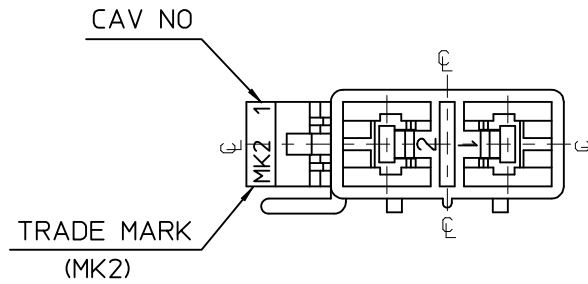
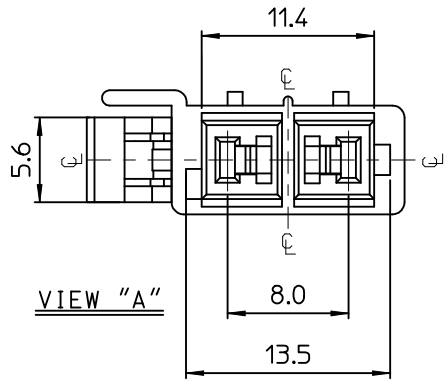
**NOTE**

1. MATERIAL & COLOR : SEE TABLE
2. MATED HOSUING : 35180-\*40\* / 35180-\*60\*
3. APPLICABLE TERMINAL : 35746-0\*10
4. MATED TPA : 35965-029\*
5. PRODUCT SPECIFICATION : PS 351800400 / 351800600
6. PACKAGING SPECIFICATION : PK-35965-001



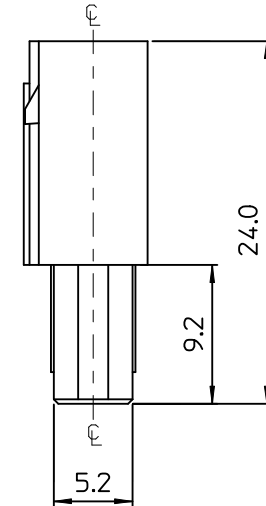
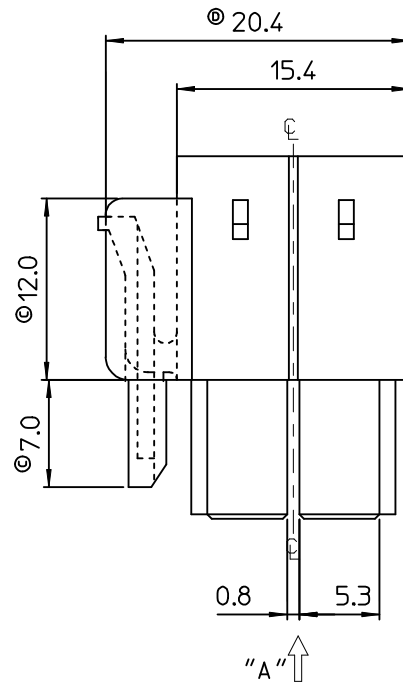
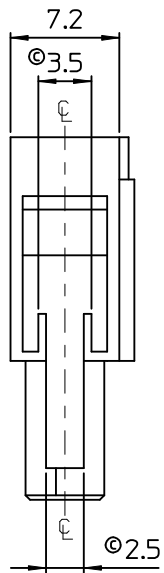
NO.	C PC/PET (UL94V-0)	
	MATERIAL	COLOR
1	35965-9200	NATURAL
2	35965-9202	RED
3	35965-9203	YELLOW
4	35965-9204	BLUE

<b>SYMBOLS</b> = 0 = 0 = 0 = 0 = 0 = 0 = 0 = 0 = 0	THIS DRAWING CONTAINS INFORMATION THAT IS PROPRIETARY TO MOLEX ELECTRONIC TECHNOLOGIES, LLC AND SHOULD NOT BE USED WITHOUT WRITTEN PERMISSION DIMENSION UNITS: <b>mm</b> SCALE: <b>3:1</b>	CURRENT REV DESC: EC NO: 177777 DRWN: JSSHIN 2018/06/08 CHK'D: SHCHU 2018/06/08 APPR: YSKIM02 2018/06/08	 .070 MULTI FEMALE HSG -2P (A-TYPE)		
	GENERAL TOLERANCES (UNLESS SPECIFIED) ANGULAR TOL ± 1.0° 4 PLACES ± 3 PLACES ± 2 PLACES ± 1 PLACE ± 0.3 0 PLACES ± 0.3	INITIAL REVISION: DRWN: SCHONG03 2017/12/15 APPR: YSKIM02 2018/06/08			PRODUCT CUSTOMER DRAWING
	DRAFT WHERE APPLICABLE MUST REMAIN WITHIN DIMENSIONS THIRD ANGLE PROJECTION	DRAWING: <b>A3-SIZE</b> SERIES: <b>35965</b>	DOCUMENT NUMBER: <b>359659200</b> DOC TYPE: <b>PSD</b> DOC PART: <b>000</b> REVISION: <b>E</b>	MATERIAL NUMBER: <b>SEE TABLE</b> CUSTOMER: <b>GENERAL MARKET</b> SHEET NUMBER: <b>1 OF 1</b>	



NOTES.

1. MATERIAL & COLOR : SEE TABLE
2. MATED HOUSING : 35180-040\*  
35180-060\*
3. APPLICABLE TERMINAL : 35746-0\*10
4. APPLICABLE T.P.A : 35965-029\*
5. PRODUCT SPECIFICATION : PS-35180-002



NO.	POLYESTER(PBT)		PC/PET(UL94V-0)	
	MATERIAL	COLOR	MATERIAL	COLOR
1	35965-0200	NATURAL	35965-9200	NATURAL
2	35965-0202	RED	35965-9202	RED
3	35965-0203	YELLOW	35965-9203	YELLOW
4	35965-0204	BLUE	35965-9204	BLUE

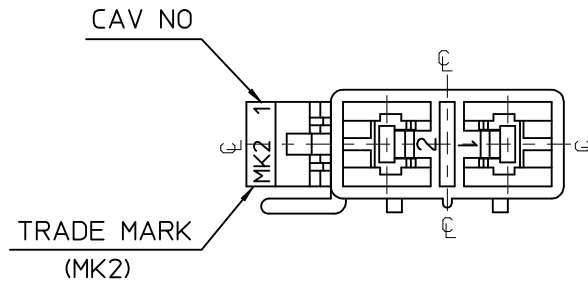
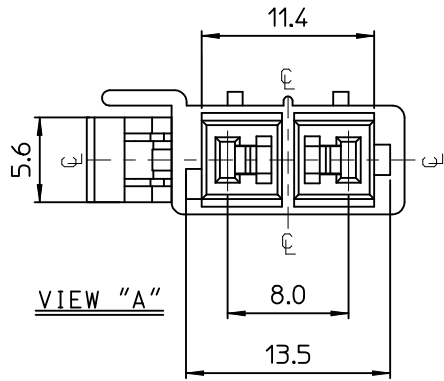
REVISED	EC NO: KOR2017-0041	2017/02/16
	DRWN: JSSHIN	2017/02/16
	CHKD: SHCHU	2017/02/16
	APPR: YSKI MO2	2017/02/17
D1	REV	

QUALITY SYMBOLS
= 0
= 0

GENERAL TOLERANCES (UNLESS SPECIFIED)	
	mm
4 PLACES	± 0.3
3 PLACES	± 0.4
2 PLACES	± 0.5
1 PLACE	± 0.6
ANGULAR ± 1°	
DRAFT WHERE APPLICABLE MUST REMAIN WITHIN DIMENSIONS	

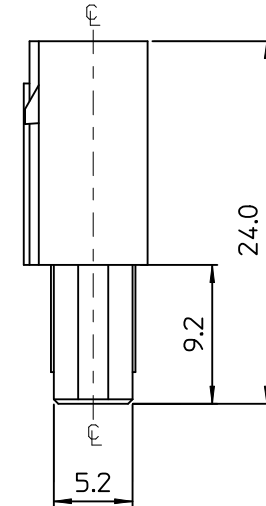
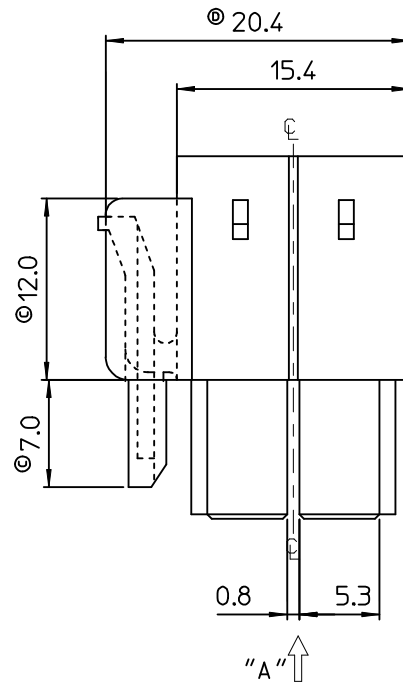
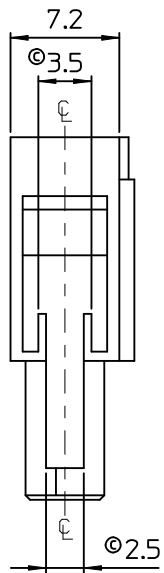
DIMENSION STYLE	
MM ONLY	
DRAWN BY	DATE
JS.KANG	1995/09/28
CHECKED BY	DATE
BK.CHOI	1995/09/28
APPROVED BY	DATE
CW.LEE	1995/09/28
MATERIAL NO.	SEE TABLE
SIZE	A3

SCALE	3/1
DESIGN UNITS	METRIC
THIRD ANGLE PROJECTION	
TITLE	
070 MULTI FEMALE HSG 2P(A)	
MOLEX INCORPORATED	
DOCUMENT NO.	SD-35965-020*
SHEET NO.	1 OF 01
THIS DRAWING CONTAINS INFORMATION THAT IS PROPRIETARY TO MOLEX INCORPORATED AND SHOULD NOT BE USED WITHOUT WRITTEN PERMISSION	



NOTES.

1. MATERIAL & COLOR : SEE TABLE
2. MATED HOUSING : 35180-040\*  
35180-060\*
3. APPLICABLE TERMINAL : 35746-0\*10
4. APPLICABLE T.P.A : 35965-029\*
5. PRODUCT SPECIFICATION : PS-35180-002



NO.	POLYESTER(PBT)		PC/PET(UL94V-0)	
	MATERIAL	COLOR	MATERIAL	COLOR
1	35965-0200	NATURAL	35965-9200	NATURAL
2	35965-0202	RED	35965-9202	RED
3	35965-0203	YELLOW	35965-9203	YELLOW
4	35965-0204	BLUE	35965-9204	BLUE

REVISED	EC NO: KOR2017-0041	2017/02/16
	DRWN: JSSHIN	2017/02/16
	CHKD: SHCHU	2017/02/17
	APPR: YSKI1M02	2017/02/17
D1	REV	DESCRIPTION

QUALITY SYMBOLS
= 0
= 0

GENERAL TOLERANCES (UNLESS SPECIFIED)	
	mm
4 PLACES	± 0.3
3 PLACES	± 0.4
2 PLACES	± 0.5
1 PLACE	± 0.6
ANGULAR ± 1°	
DRAFT WHERE APPLICABLE MUST REMAIN WITHIN DIMENSIONS	

DIMENSION STYLE	
MM ONLY	
DRAWN BY	DATE
JS.KANG	1995/09/28
CHECKED BY	DATE
BK.CHOI	1995/09/28
APPROVED BY	DATE
CW.LEE	1995/09/28
MATERIAL NO.	
SEE TABLE	
SIZE	A3

SCALE	3/1
DESIGN UNITS	METRIC
THIRD ANGLE PROJECTION	
TITLE	
070 MULTI FEMALE HSG 2P(A)	
MOLEX INCORPORATED	
DOCUMENT NO.	SD-35965-020*
SHEET NO.	1 OF 01
THIS DRAWING CONTAINS INFORMATION THAT IS PROPRIETARY TO MOLEX INCORPORATED AND SHOULD NOT BE USED WITHOUT WRITTEN PERMISSION	