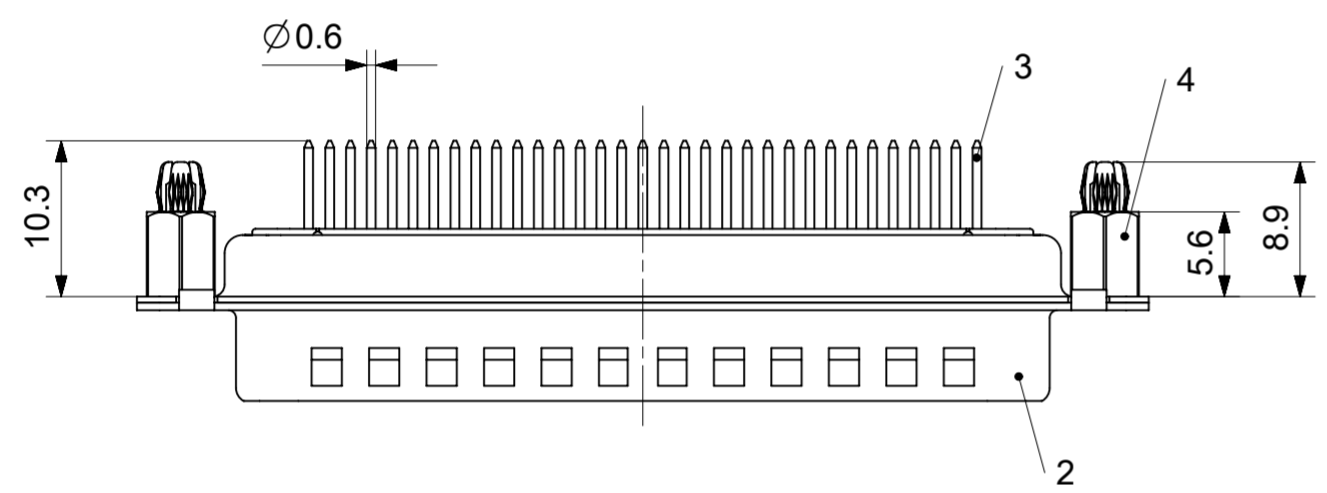
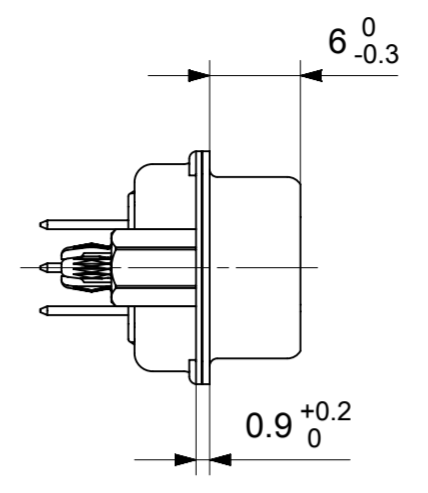
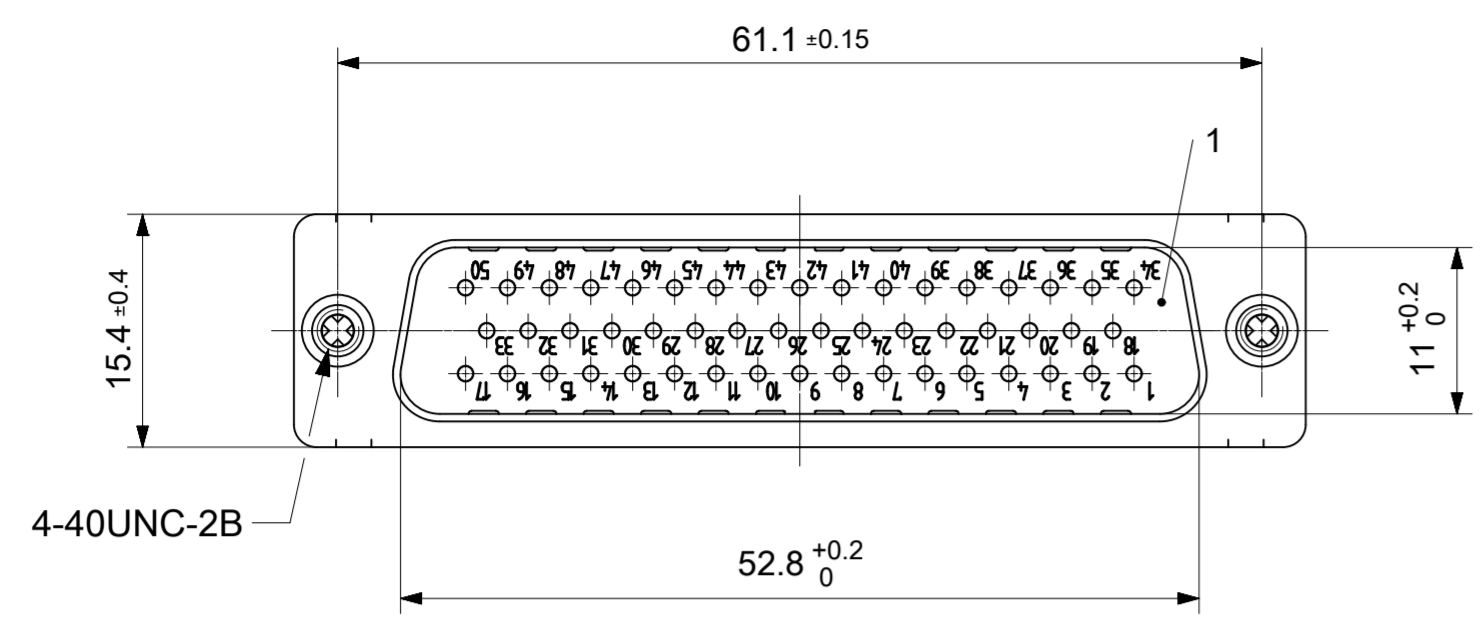
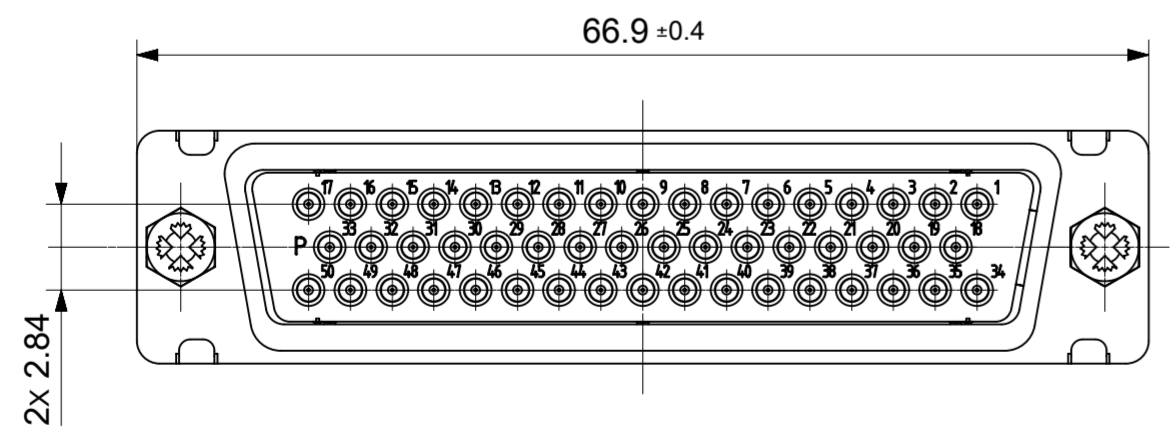
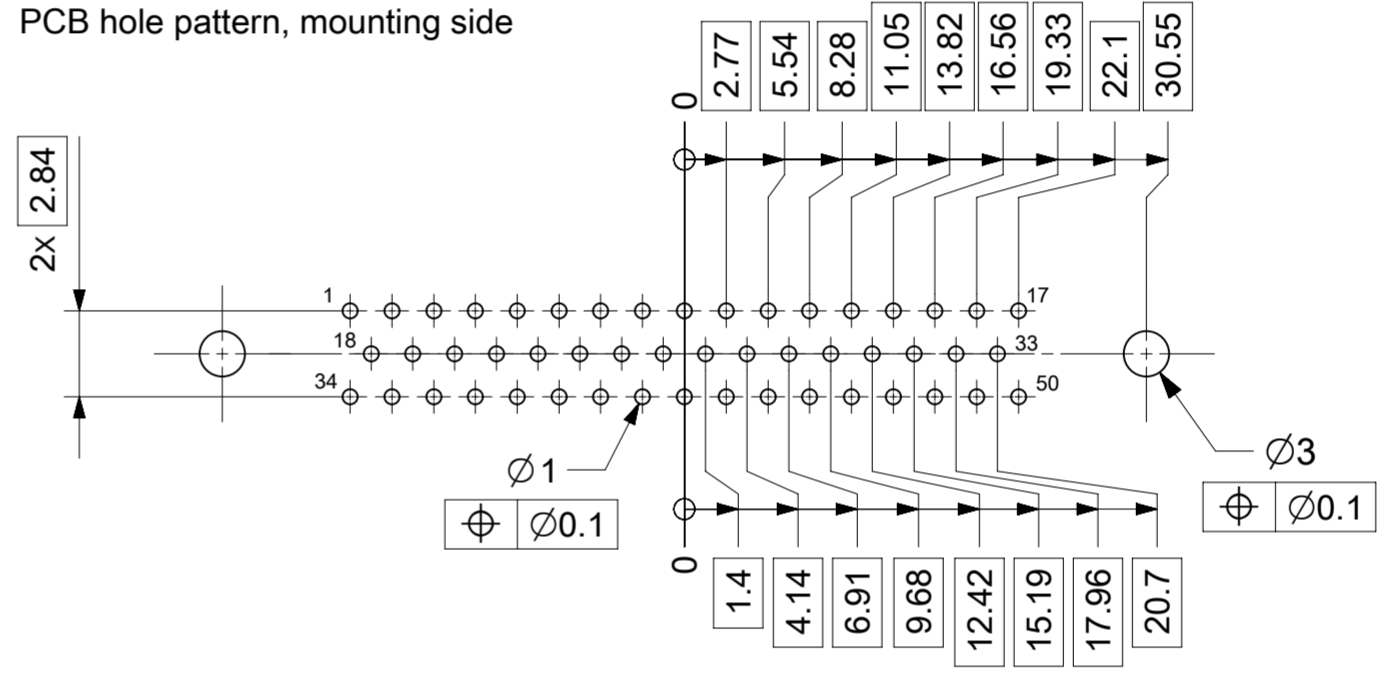


RoHS compliant
by exemption



PCB hole pattern, mounting side



FCT Part number:
F50P1G1A-0981

Material Number
1731091902

4	2	Snap-in bolt	PCB 1.6mm / Brass	tin plated
3	50	Signal contact	P1 / Brass	AuroPur
2	1	Shell	Steel	tin plated
1	1	Insulator	PBT (-55°C to +130°C) acc. UL94V-0	white
No.	Pc.	Part	Type Description / Material	Surface plating / Color / Class

MEASUREMENTS WITHOUT TOLERANCE ACC TO ISO 2768-m REPLACEMENT FOR DOCUMENT NUMBER: F50P1G1A-0981

FUNCTIONAL SYMBOLS FA = 0 FC = 0 FP = 0 DIVISIONAL SYMBOLS	THIS DRAWING CONTAINS INFORMATION THAT IS PROPRIETARY TO MOLEX ELECTRONIC TECHNOLOGIES, LLC AND SHOULD NOT BE USED WITHOUT WRITTEN PERMISSION	DIMENSION UNITS: mm SCALE: 2:1	CURRENT REV DESC: EC NO: 708549 DRWN: SUGEEB 2022/01/07 CHK'D: MTEUBEL 2022/05/30 APPR: MTEUBEL 2022/05/30	molex				
	GENERAL TOLERANCES (UNLESS SPECIFIED) ANGULAR TOL ± ° 4 PLACES ± 3 PLACES ± 2 PLACES ± 1 PLACE ± 0 PLACES ±			FCT D-SUB MINIATURE CONNECTOR				
	INITIAL REVISION: DRWN: SUGEEB 2022/01/07 APPR: MTEUBEL 2022/05/30			PRODUCT CUSTOMER DRAWING				
	DRAFT WHERE APPLICABLE MUST REMAIN WITHIN DIMENSIONS			FIRST ANGLE PROJECTION	DRAWING: A2-SIZE	SERIES: 173109	MATERIAL NUMBER: SEE TABLE	CUSTOMER: GENERAL MARKET

DOCUMENT STATUS	P1	RELEASE DATE	2022/05/30	15:05:22
-----------------	----	--------------	------------	----------