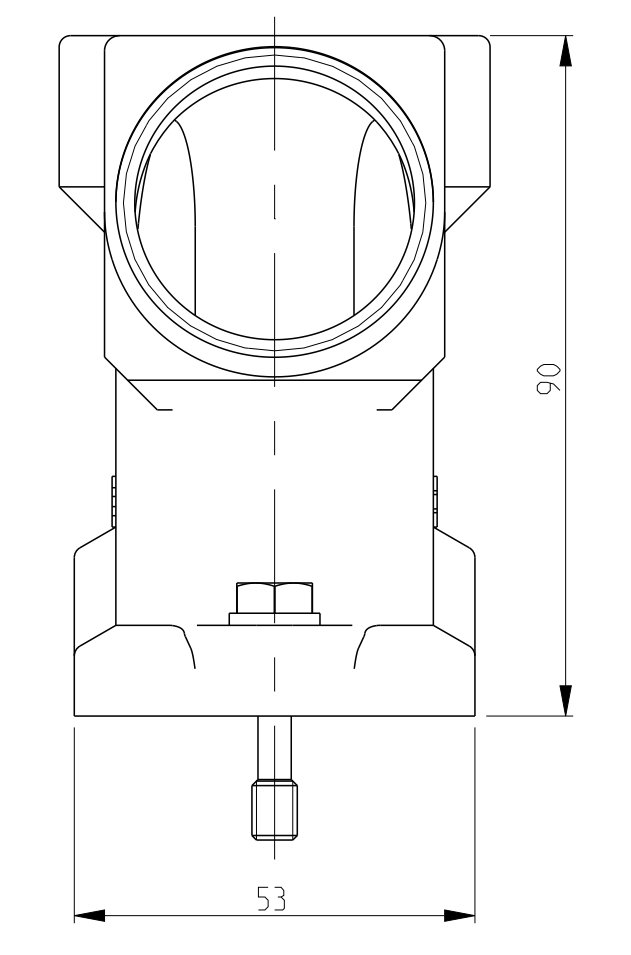
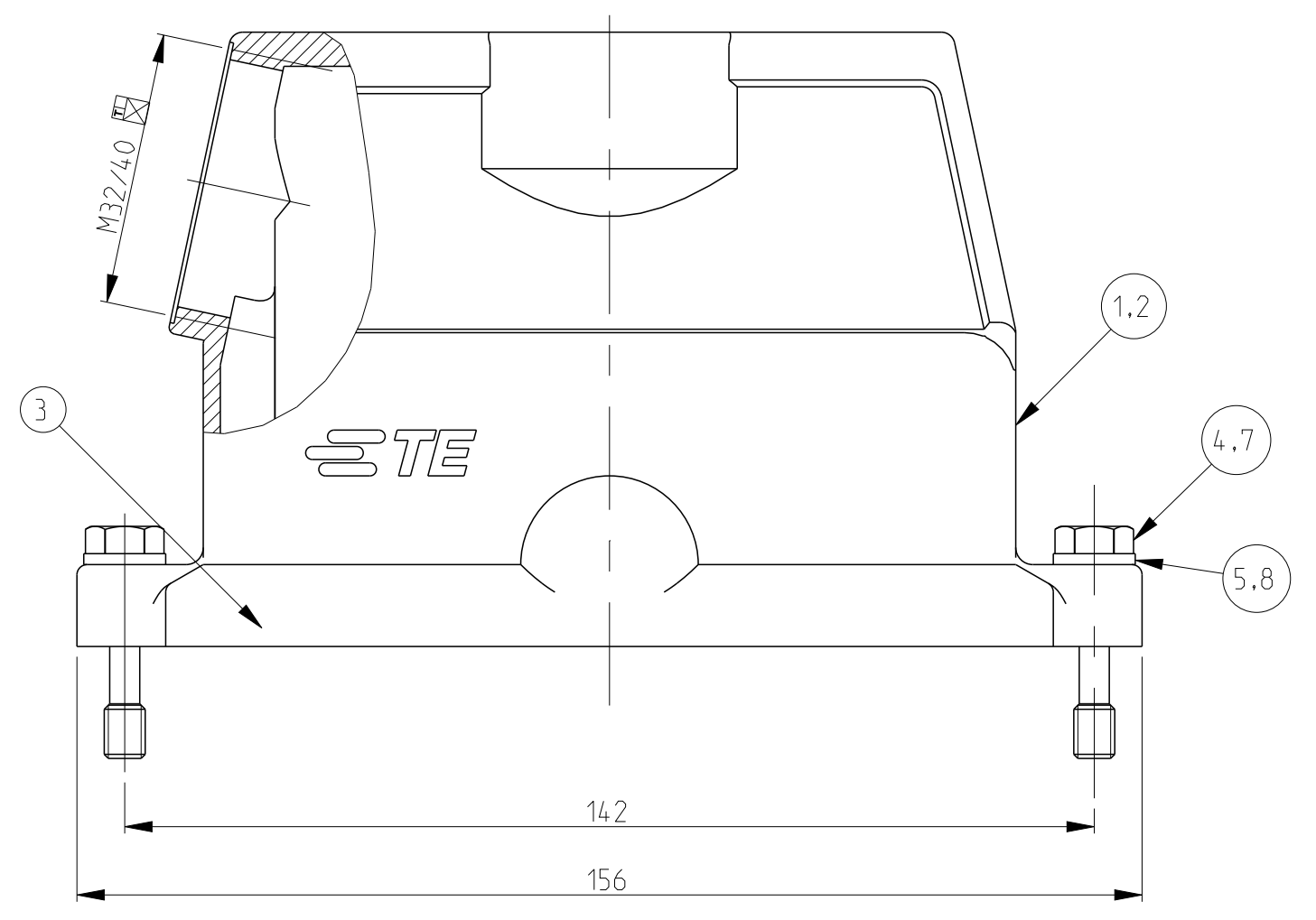
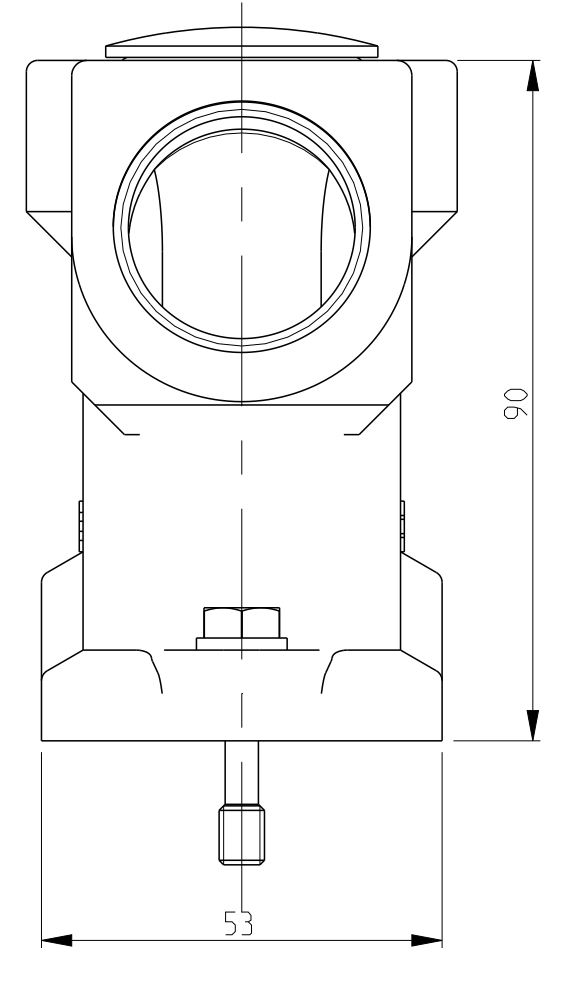
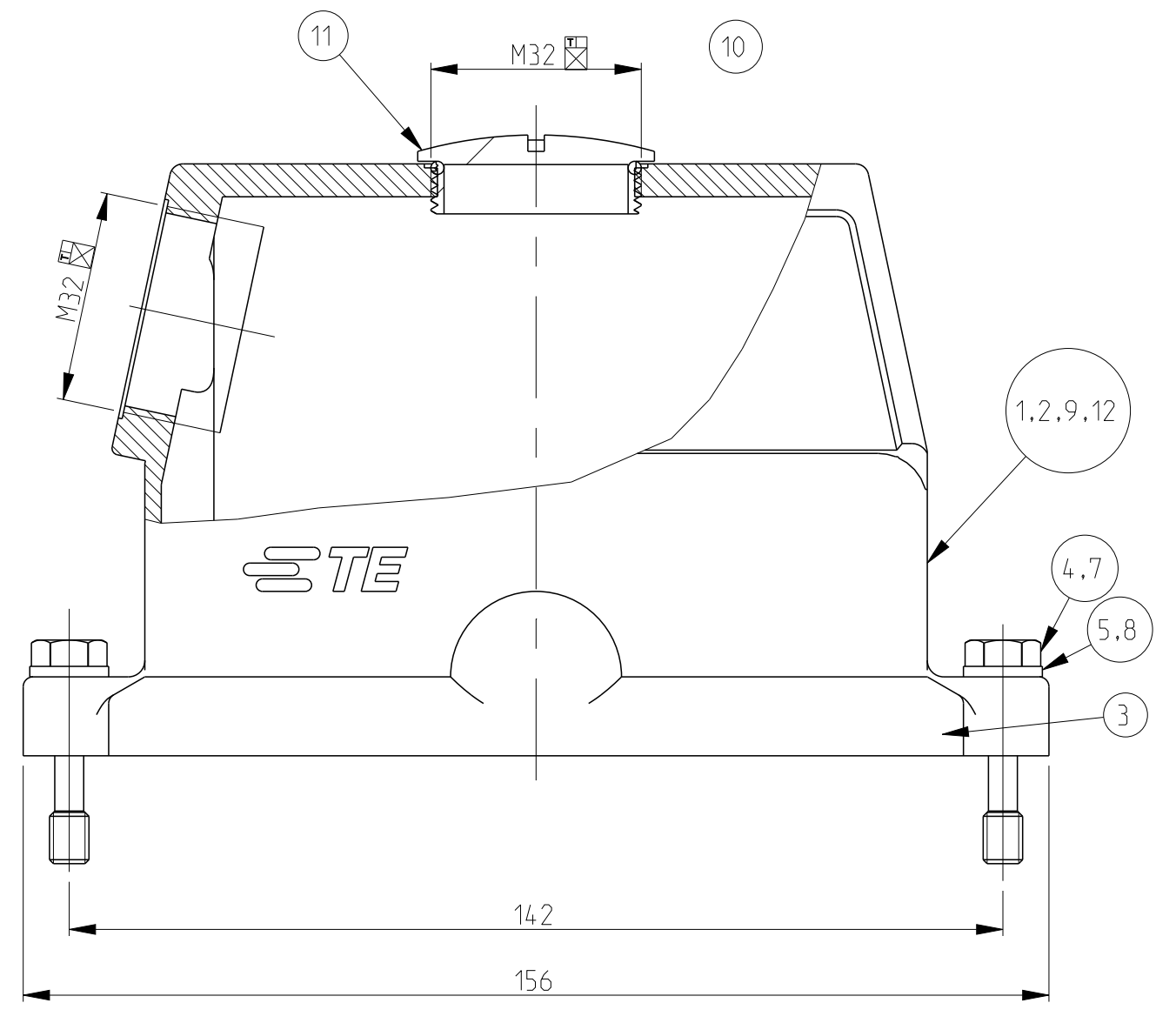


PN 0-2,0-3,0-8 & 1-2



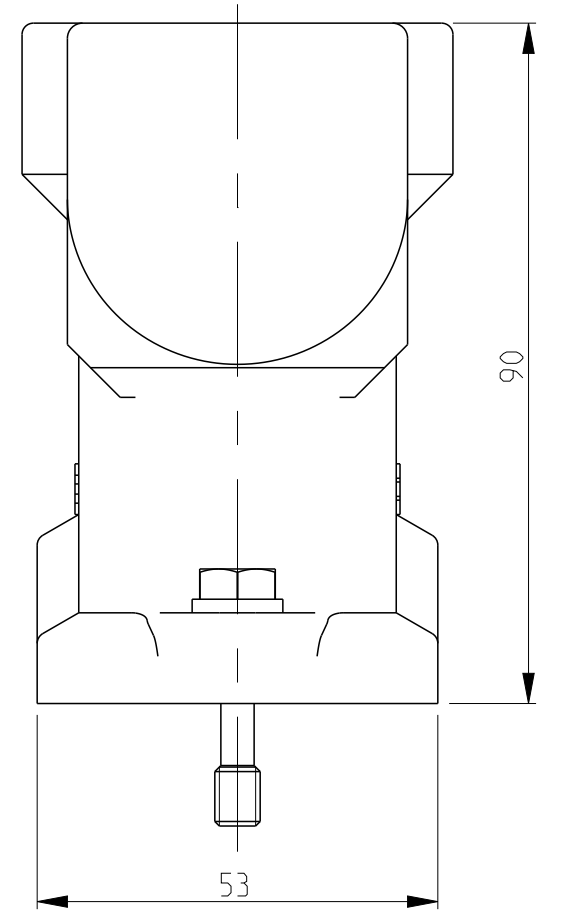
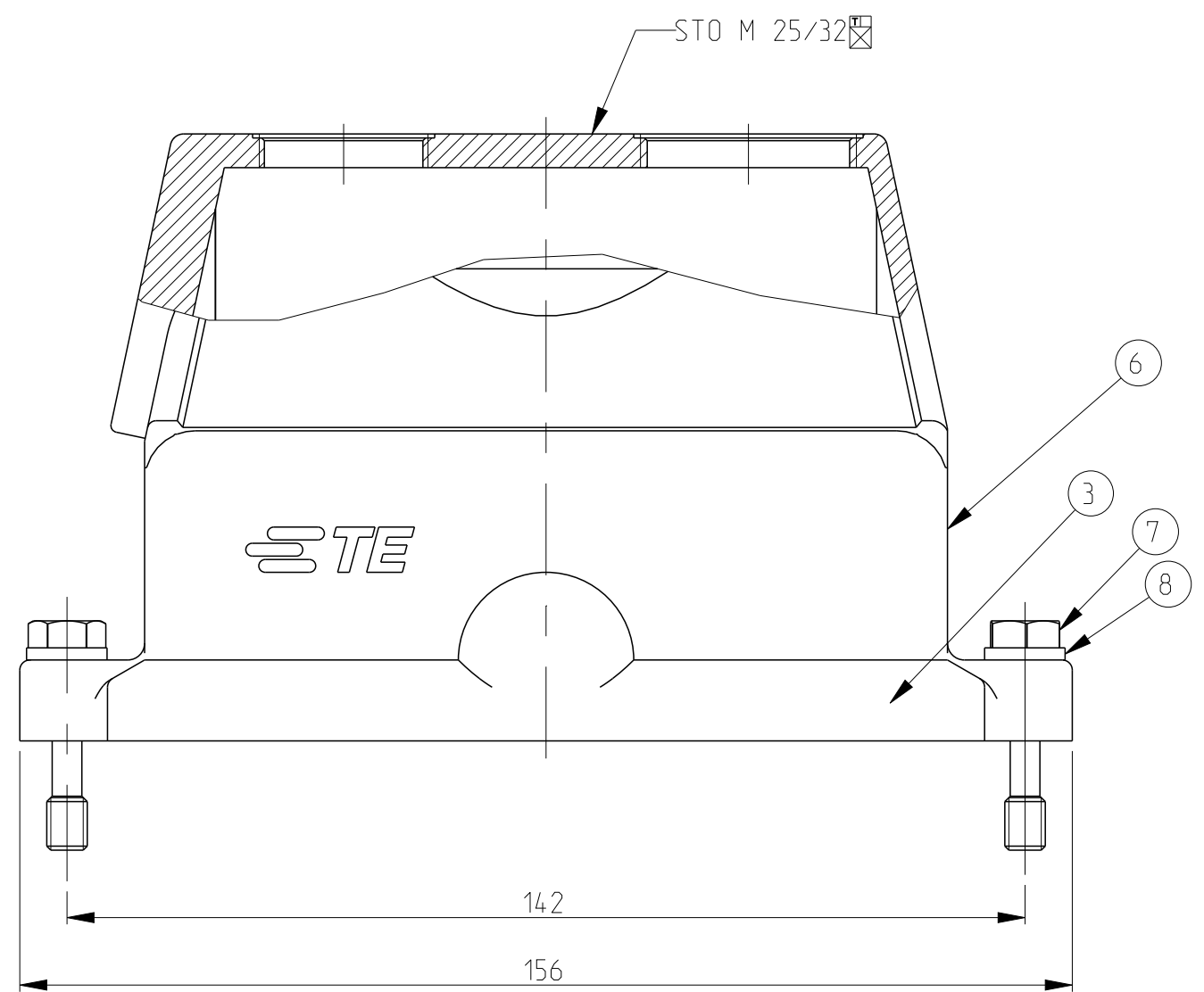
PN 0-9,1-0,1-1,1-4,1-8 & 1-9



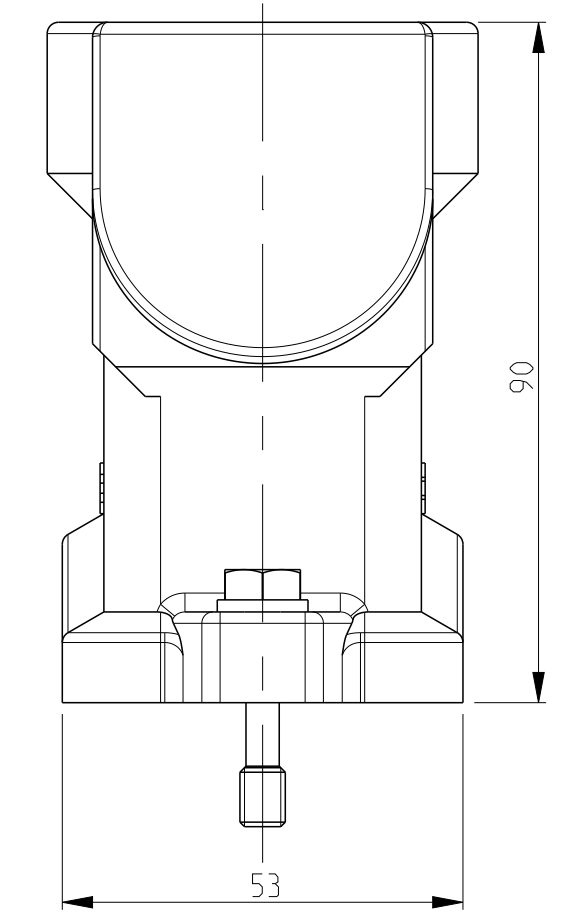
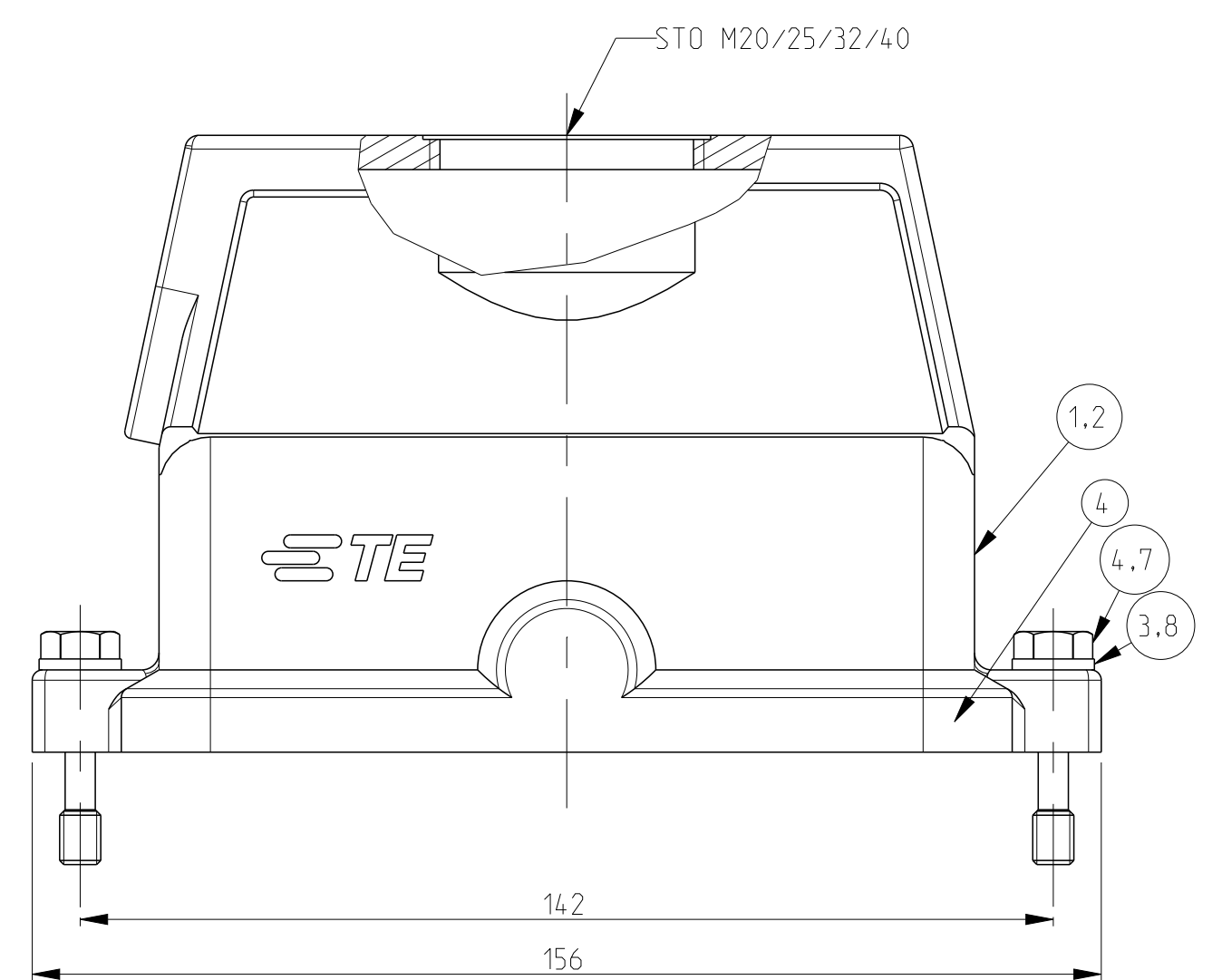
REV	DATE	DESCRIPTION	BY	CHK	APPD
A21	ECR-16-016696				
A22	ECR-16-016780				
A23	ECR-17-014013				
A24	ECR-21-123564				

- NOTES:
- Material:Housing:Aluminium Diecasting Alloy
 - Seals:Neoprene conductivity
 - Surface:Varnish grey
 - ChromITAL TCP passivation -Varnish Black
 - Packaging Quantity 5 Pieces in a box
 - Special Packaging Quantity 25 Pieces in a box
 - 5 Varnish on the inside not necessarily

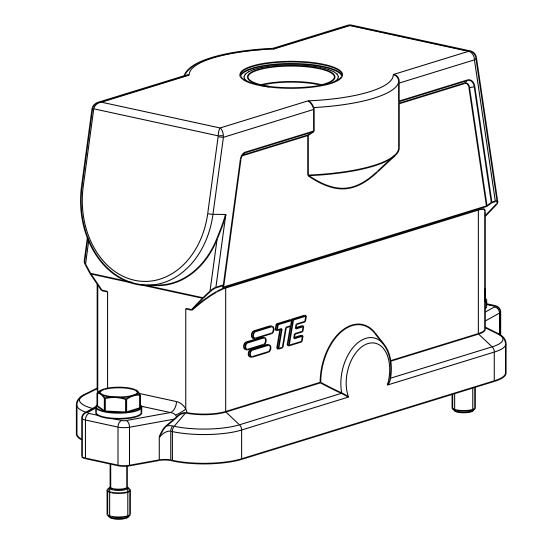
PN 0-7



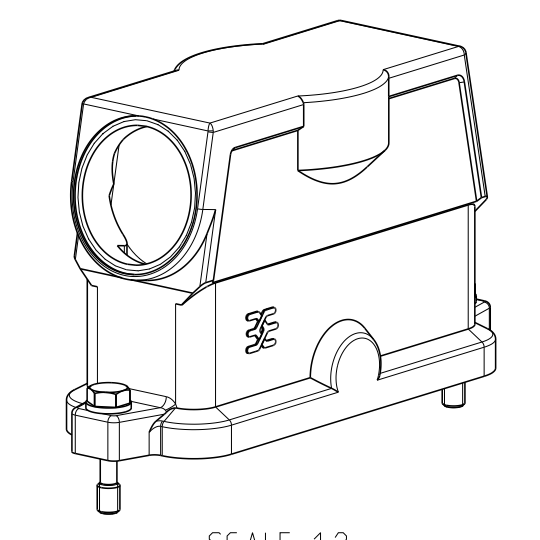
PN 0-1,0-4,0-5,0-6,1-3 & 1-6



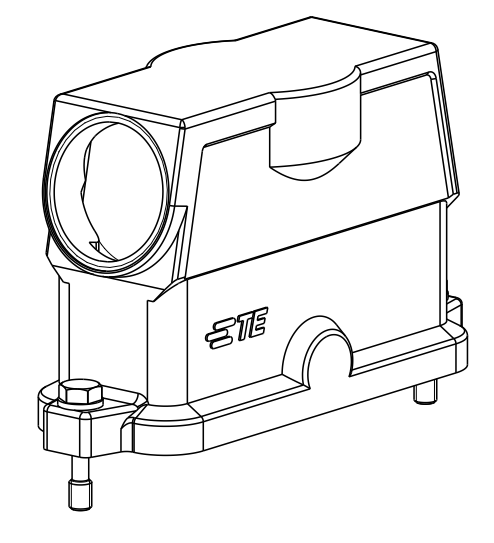
PN 0-1,0-4,0-5,0-6,1-3 & 1-6



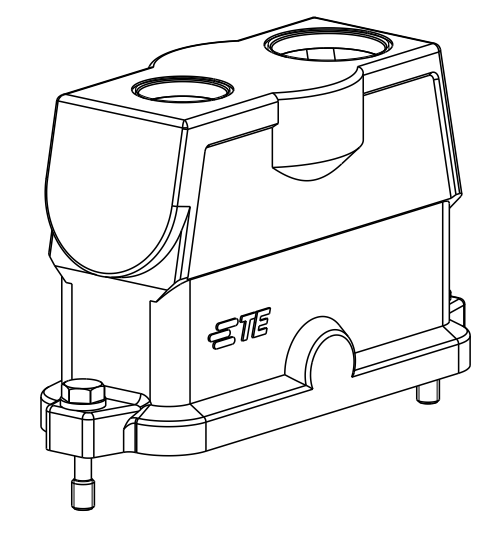
PN 1-2 With Weidmuller Logo



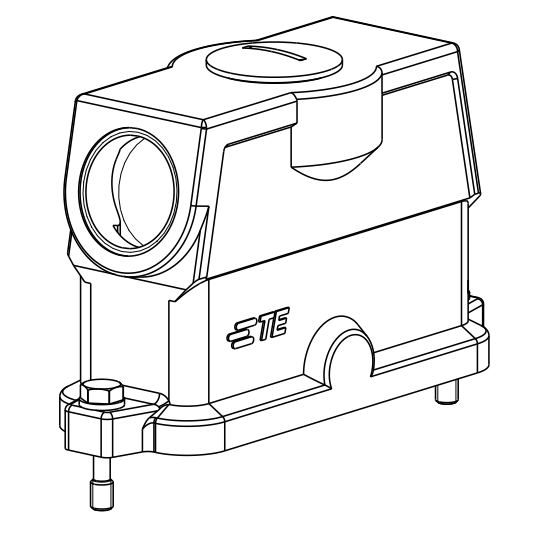
PN 0-2,0-3,0-8 & 1-2



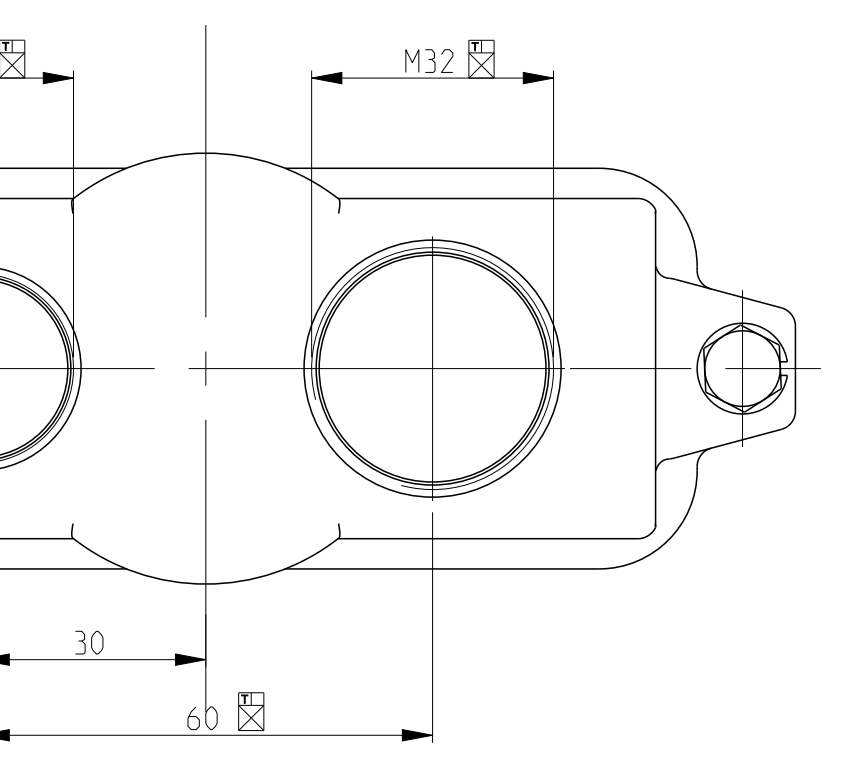
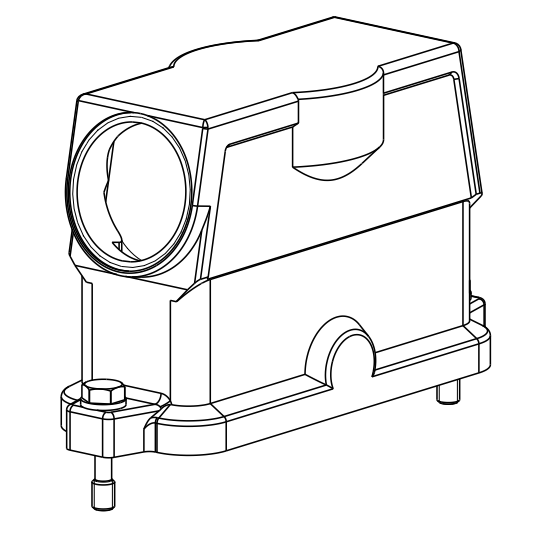
PN 0-7



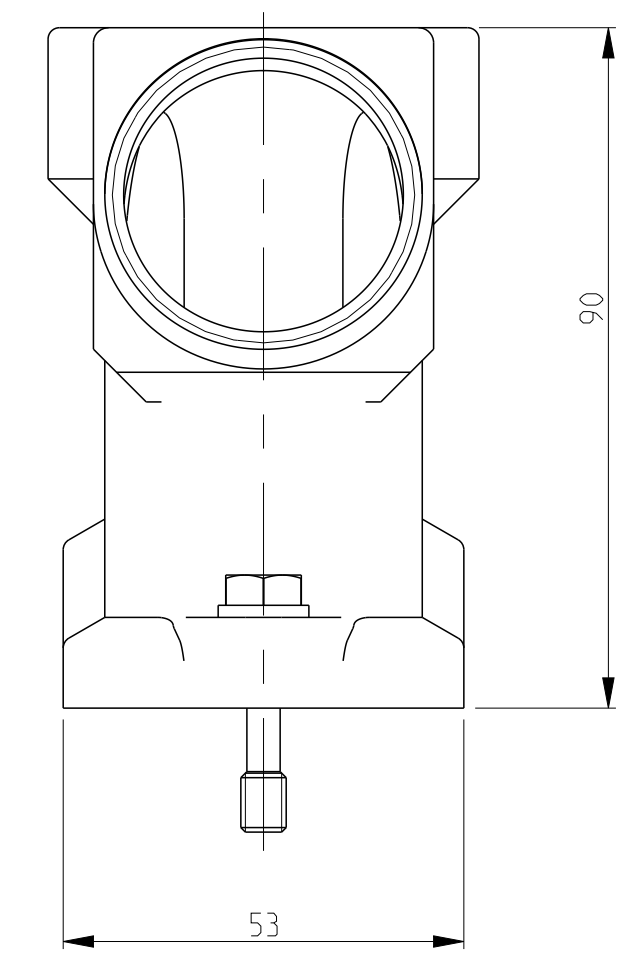
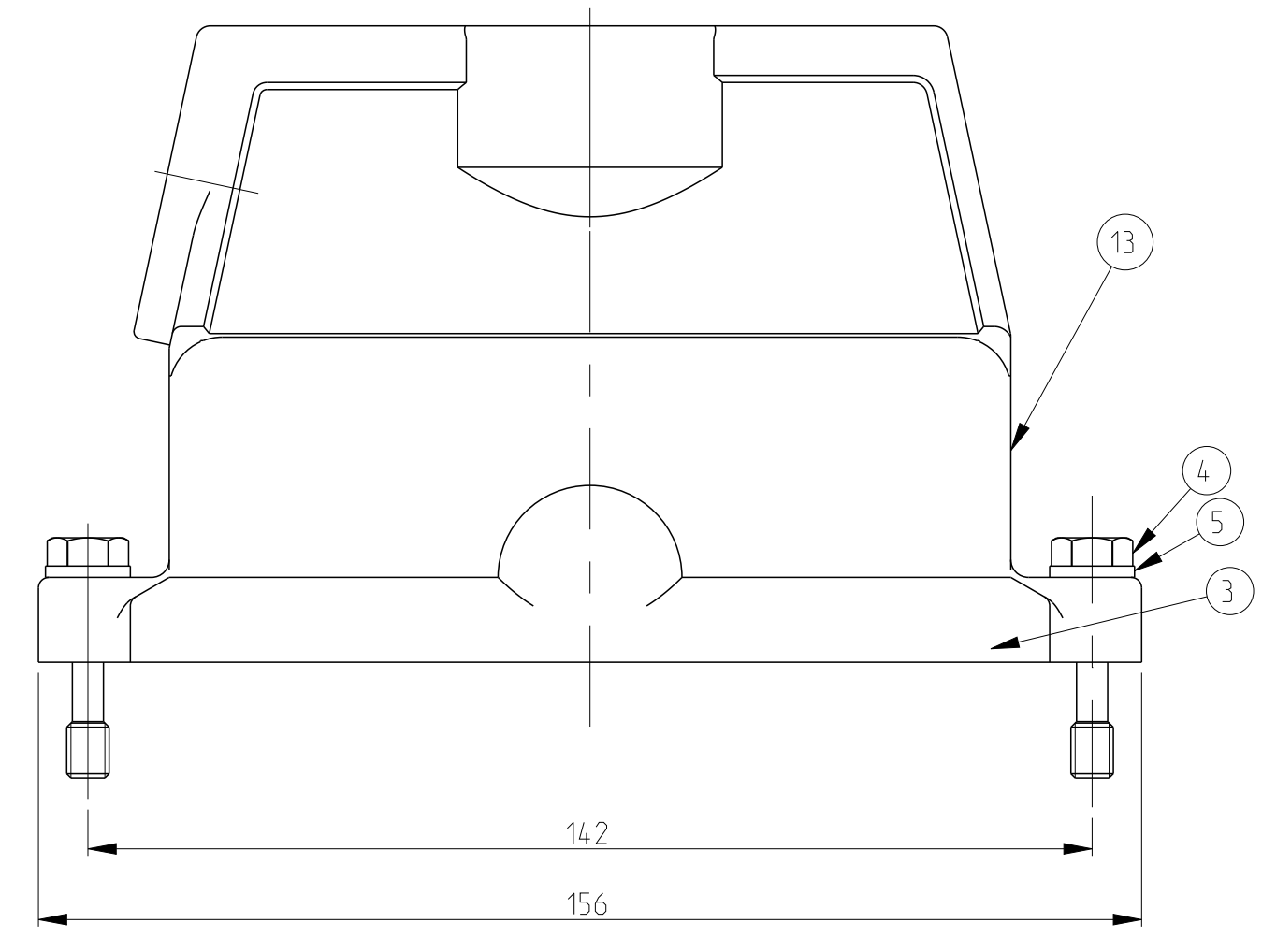
PN 0-9,1-0,1-1,1-4,1-8 & 1-9



PN 1-7,1-5 (Neutral) Without Logo



PN 1-5 & 1-7 (Neutral)



QTY	DESCRIPTION	MATERIAL	SURFACE	COLOR	ITEM NO	REMARKS
1	Hood size 8 finished product	Aluminium	SUR TEC 650	Black RAL9005	13	
1	Hood size 8 finished product	Aluminium		Without varnish	12	
1	Blanking Piece	Brass	Nickel plated	Blue	11	
1	O-Ring	Neoprene		Black	10	
1	Hood size 8 finished product	Aluminium		White Aluminium	9	
2	Washer, Plain	Stainless steel	Blank		8	B6.4
2	Screw, Hexagon Bolt	Stainless steel	Blank		7	M6x30
2	Hood size 8 finished product	Aluminium	SUR TEC 650	Black RAL9005	6	
2	Washer, Plain	Stainless steel	Blank		5	B6.4
2	Screw, Hexagon Bolt	Stainless steel	Blank		4	M6x30
1	Seal	Neoprene		Black	3	Conductivity
1	Hood size 8 finished product	Aluminium	SUR TEC 650	Black RAL9005	2	
1	Hood size 8 finished product	Aluminium		Grey RAL7001	1	
1-9	DESCRIPTION	MATERIAL	SURFACE	COLOR	ITEM NO	REMARKS
	EMV-24/64-ST0.1.M40-G					
	EMV-24/64-ST0.1.M40-G					
	EMV-K-24/64-ST0.1.M40-G					
	EMV-K-24/64-ST0.1.M40-G					
	EMV-24/64-ST0.1.M20-G					
	EMV-24/64-ST0.1.M25-G					
	EMV-K-24/64-ST0.1.M32-G					
	EMV-K-24/64-ST0.1.M32-G					
	EMV-24/64-ST0.1.M32-G					
	EMV-24/64-ST0.1.M32-G					
	EMV-24/64-ST0.1.M32-G					
	EMV-K-24/64-ST0.1.M40-G-WE					
	EMV-K-24/64-ST0.1.M25-G					
	EMV-K-24/64-ST0.1.M32-G					
	EMV-K-24/64-ST0.1.M32-G					
	EMV-K-24/64-ST0.1.M32-G					
	EMV-K-24/64-ST0.1.M32-G					
	EMV-K-24/64-ST0.1.M32-G					
	EMV-K-24/64-ST0.1.M32-G					
	EMV-K-24/64-ST0.1.M32-G					
	EMV-K-24/64-ST0.1.M32-G					
	EMV-K-24/64-ST0.1.M32-G					

THIS DRAWING IS A CONTROLLED DOCUMENT.

DATE: 01.08.2000
 DRAWN BY: Schneider
 CHECKED BY: Schneider
 APPROVED BY: Schneider

PRODUCT SPEC: HOOD
 APPLICATION SPEC: EMV-24/64-ST0/STS WITH M-THREAD

MATERIAL: ALU
 FINISH: -

WEIGHT: 54.0 g

CUSTOMER DRAWING

SCALE: 5:1

SHEET: 1 of 1

REV: A24