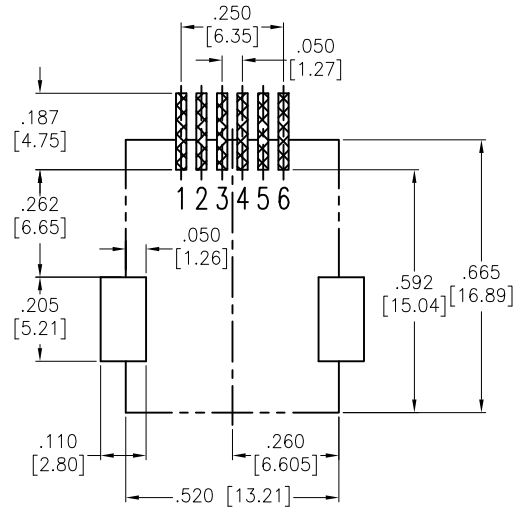
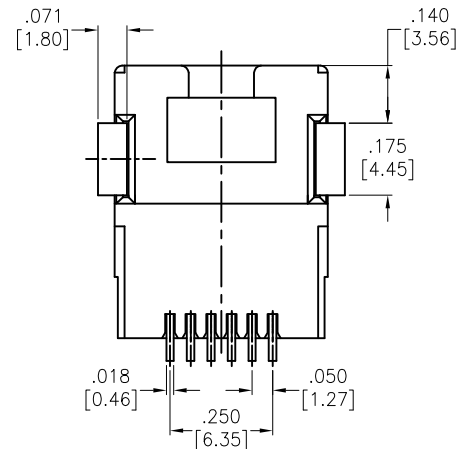
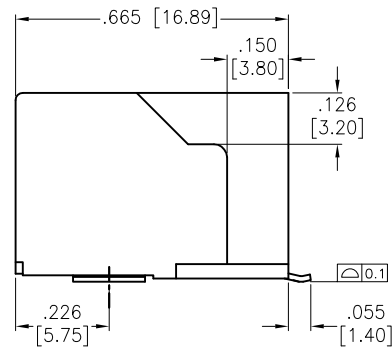
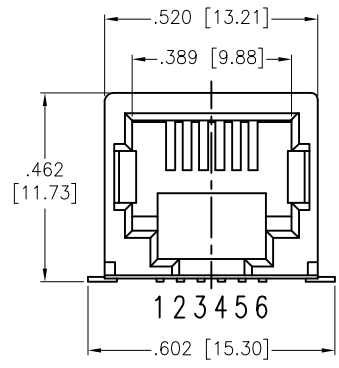


APPROVED: _____
 DATE: _____ TITLE: _____

Rev	AWO #	Description	Date	Appr
-	7302	RELEASED	12/08/06	
A		REDRAWN	9/07/09	
B		UPDATE SPEC.	6/20/19	LH/TW
C		UPDATE DRAWING	2/12/20	LH/TY



RECOMMENDED PCB LAYOUT

SPECIFICATIONS:

Material:
 Insulator: Hi-temp thermoplastic, rated UL 94V-0
 Insulator color: Black
 Contacts: Phosphor Bronze
 Hold Down: Copper Alloy, Tin plated
Plating:
 Gold over Nickel underplate on contact area
 Gold flash over Nickel underplate on solder tails
Electrical:
 Voltage Rating: 150 VAC max
 Current rating: 1.5 Amps max
 Contact Resistance: 20 mohms max.
 Insulation resistance: 500 Mohms min @500 VDC
 Dielectric withstanding voltage: 1000 Vrms for 1 minute
Temperature Rating:
 Operating temperature: -40°C to +85°C
Environmental:
 Lead free, RoHS compliant.



UNLESS OTHERWISE SPECIFIED ALL DIMENSIONS ARE INCHES [MM] TOLERANCES: EXCEPT AS NOTED		
INCHES		
.X ± .10	∅X ± .10	HOLES
.XX ± .020	∅XX ± .015	
.XXX ± .015	∅XXX ± .010	
APPROVALS		DATE
DRAWN	LH	2/12/20
CHECKED	TY	2/12/20
APPROVED		

ADAM TECH INTERCONNECTS 909 Rahway Avenue,
 Union, NJ 07083
 Phone: 908-687-5000
 Fax: 908-687-5710

TITLE MODULAR TELEPHONE JACK, 6P6C SMT TYPE, SIDE ENTRY			
SIZE X	PART NO. MTJ-66WBX1	REV. C	
REF: S00065T	SCALE: NTS	SHEET 1 OF 1	