

821K YYY - 2 1 3 R 00 1

SERIES 13.00 [0.512]

OF POSITIONS (Ex. 002) **SEE CHART A**

2 = FEMALE

VERTICAL (PANEL MOUNT)

1 = GOLD FLASH

RoHS COMPLIANT

NICKEL/CHROME PLATED SHELL

CHARACTERISSTICS

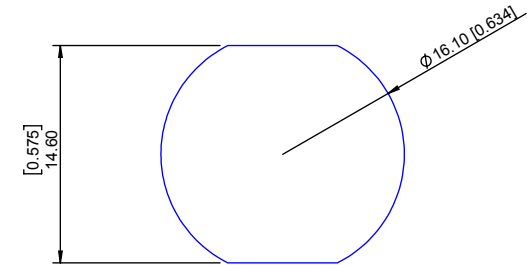
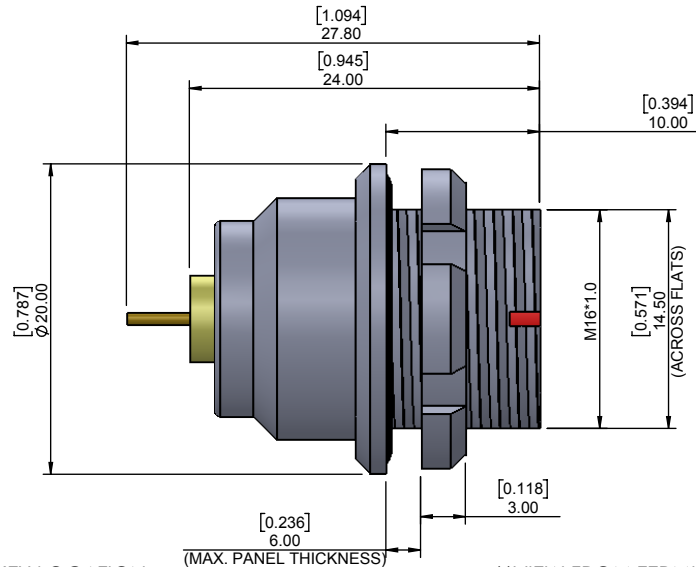
MATERIALS

SHELL : BRASS
 SHELL PLATING : NICKEL
 NUT : BRASS
 NUT PLATING : NICKEL
 LATCH SLEEVE : BRASS
 LATCH SLEEVE PLATING : NICKEL
 CONTACTS : COPPER ALLOY
 CONTACT PLATING : 7µ" GOLD PLATED OVER 196µ" NICKEL MIN.
 INSULATOR : PPS (HIGH TEMPERATURE)
 O-RING : SILICONE

MECHANICAL

DURABILITY: 5000 CYCLES
 OPERATING TEMP. RANGE: -40° C ~ +200° C
 PROCESS TEMPERATURE : 260° C FOR 5 SECONDS
 MAX. TORQUE VALUE : 7.0 Nm [61.0 IN/lbs]
 SHIELDING: 75dB @ 10MHz
 40dB @ 1GHz

IP RATING: 67



PANEL CUTOUT

TOLERANCE = +0.10, -0.0
 [+0.004, -0.00]

CHART A

● = KEY LOCATION

VIEW FROM TERMINATION END

 2 POSITION 15 AMP MAX. PIN Ø = 1.30 [0.051]	 3 POSITION 12 AMP MAX. PIN Ø = 1.30 [0.051]	 4 POSITION 10 AMP MAX. PIN Ø = 0.90 [0.035]	 5 POSITION 9 AMP MAX. PIN Ø = 0.90 [0.035]	 6 POSITION 7 AMP MAX. PIN Ø = 0.70 [0.028]	 7 POSITION 7 AMP MAX. PIN Ø = 0.70 [0.028]
CONTACT RESISTANCE = 5 mΩ TEST VOLTAGE = 1500V WORKING VOLTAGE = 500V	CONTACT RESISTANCE = 5 mΩ TEST VOLTAGE = 1300V WORKING VOLTAGE = 430V	CONTACT RESISTANCE = 6 mΩ TEST VOLTAGE = 1300V WORKING VOLTAGE = 430V	CONTACT RESISTANCE = 6 mΩ TEST VOLTAGE = 1250V WORKING VOLTAGE = 415V	CONTACT RESISTANCE = 7.5 mΩ TEST VOLTAGE = 1050V WORKING VOLTAGE = 350V	CONTACT RESISTANCE = 7.5 mΩ TEST VOLTAGE = 950V WORKING VOLTAGE = 315V

****NOTE****
 SEE PAGE 2 FOR
 BOARD LAYOUTS

RoHS COMPLIANT



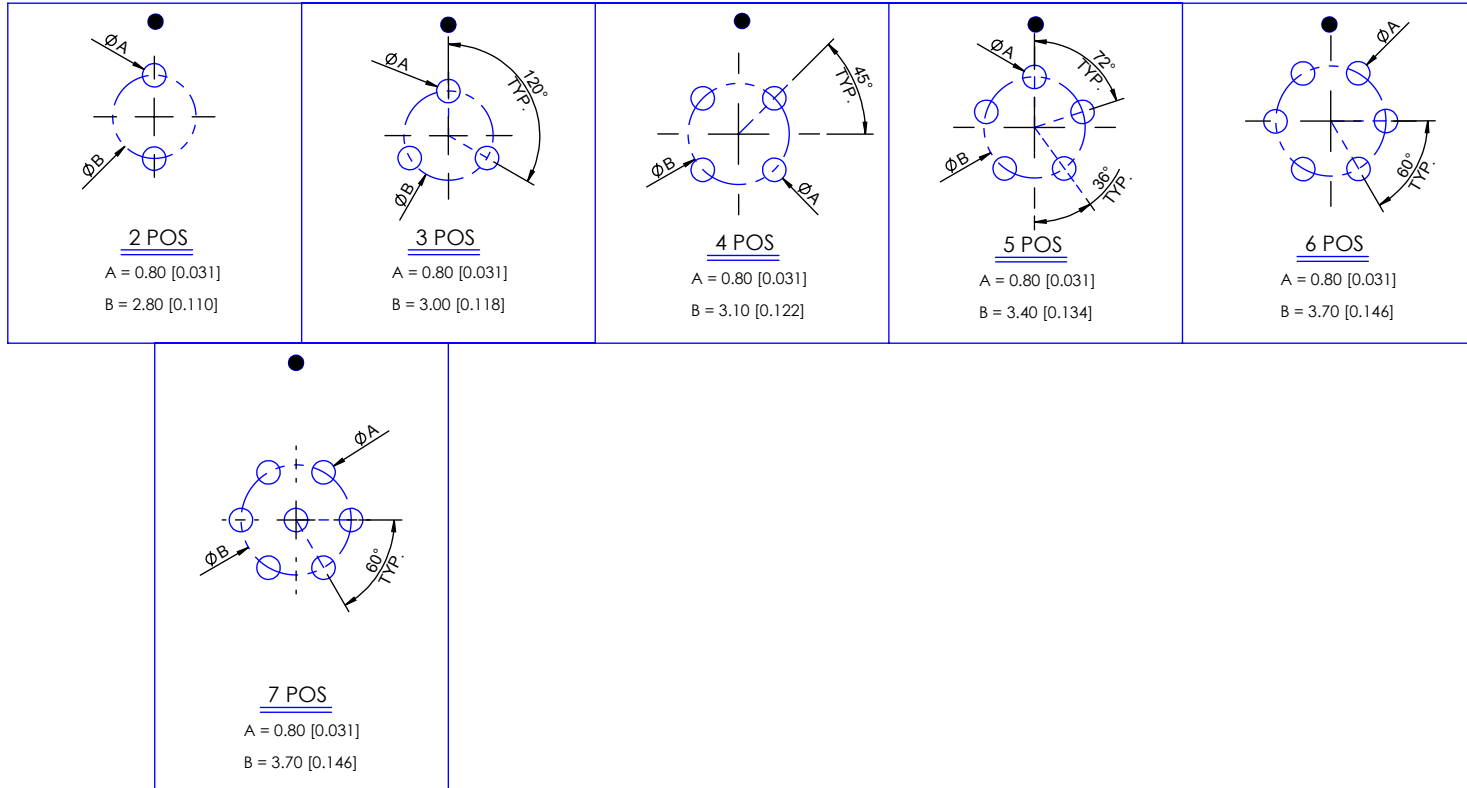
THESE DRAWINGS AND SPECIFICATIONS ARE THE PROPERTY OF NorComp AND SHALL NOT BE REPRODUCED, COPIED OR USED AS THE BASIS FOR THE MANUFACTURE OR SALE OF APPARATUS WITHOUT WRITTEN PERMISSION.

NorComp

DRAWN: M. SIGMON	DATE: 02-25-16	SCALE: N.T.S.	SHEET 1 OF 2	REV: 2
			DWG NO. 821KYYY-213R001	

BOARD LAYOUTS

● = KEY LOCATION



RoHS COMPLIANT



THESE DRAWINGS AND SPECIFICATIONS ARE THE PROPERTY OF NorComp AND SHALL NOT BE REPRODUCED, COPIED OR USED AS THE BASIS FOR THE MANUFACTURE OR SALE OF APPARATUS WITHOUT WRITTEN PERMISSION.

NorComp

DRAWN:
M. SIGMON

DATE:
02-25-16

SCALE:
N.T.S.

SHEET OF
2 2

REV:
2

DWG NO.
821KYYY-213R001