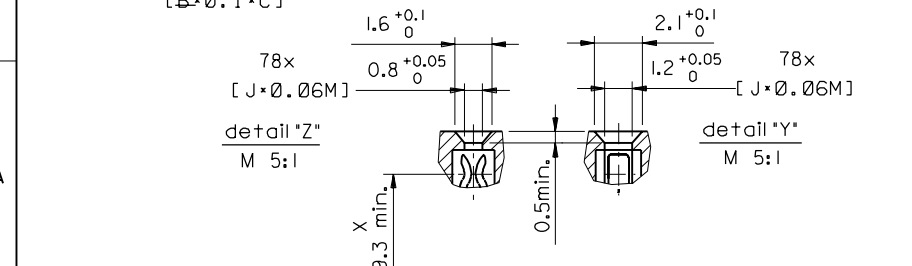
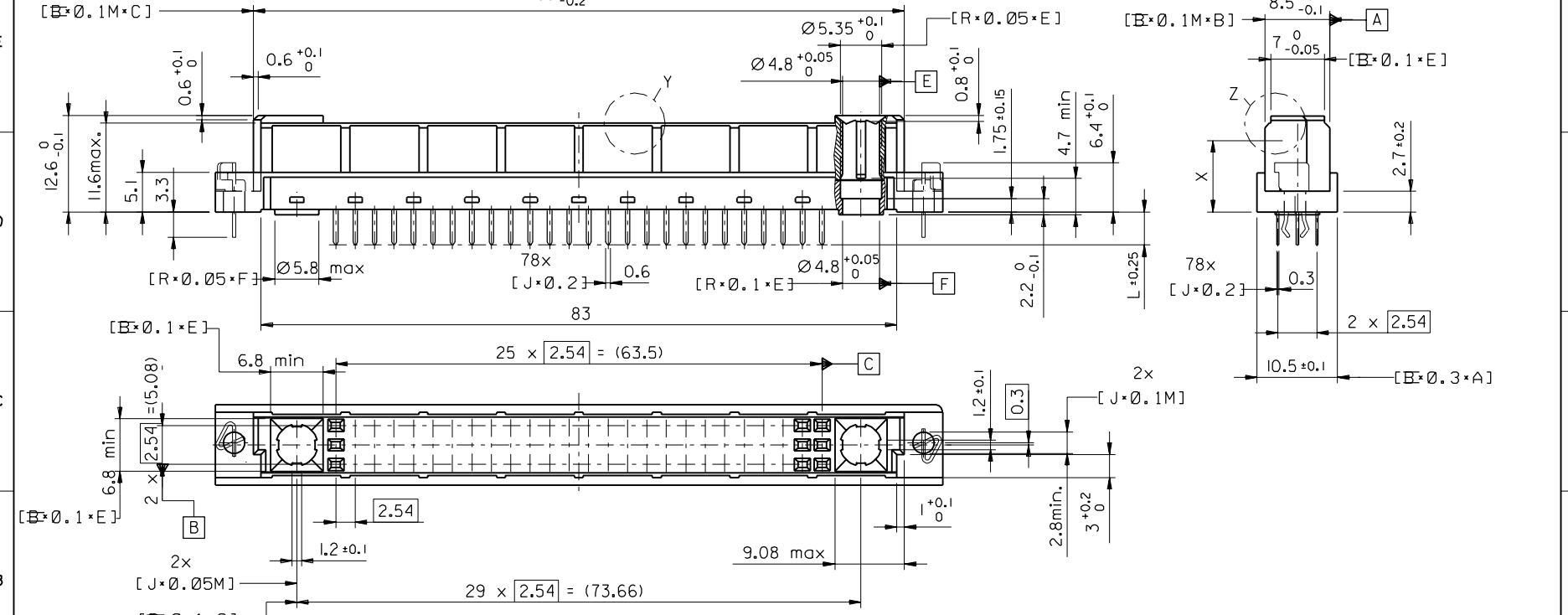


PART NO.
DWG. NO.



FIRST ANGLE PROJECTION		REVISE ONLY ON CAD SYSTEM		SH.	REV.
UNLESS OTHERWISE SPECIFIED TOLERANCES: ANGULAR ±2°		DRWG BY	SIGN	CAD/CAM PROJECT NAME	
INCH		KN		85048000 611	
METRIC		CHK'D BY	SIGN	THIS DRAWING CONTAINS INFORMATION THAT IS PROPRIETARY TO MOLEX INC. & SHOULD NOT BE USED WITHOUT WRITTEN PERMISSION	
3 PLACE ±		Ca		TITLE	
2 PLACE ±		APP'D BY	SIGN	78 pol. Federleiste 78 pos. female connector DIN 41612, style M	
1 PLACE ±		JB		MOLEX EUROPE	
DRAFT WHERE APPLICABLE MUST REMAIN WITHIN DIMENSIONS		SCALE		SHEET NO. DATE	
DESIGN DIMENSION <input checked="" type="checkbox"/> MM		2:1		1 OF 2 97/04/11	
EQUIVALENT DIMENSION <input type="checkbox"/> IN.				PART NO. DWG NO.	
EQUIVALENT DIMENSION <input type="checkbox"/> MM				SD-85048-0001	
EQUIVALENT DIMENSION <input type="checkbox"/> IN.				SIZE	
IF TWO DIMENSIONS ARE SHOWN THE UPPER IS THE DESIGN DIMENSION, LOWER IS SECONDARY				B	

VIEW ON MATING SIDE

U	A	A	A	A	A	A	A	A	A	A	A	A	A	A	A	A	A	A	A	A	A	A	A	A	A	A	A
W	A	A	A	A	A	A	A	A	A	A	A	A	A	A	A	A	A	A	A	A	A	A	A	A	A	A	A
X	A	A	A	A	A	A	A	A	A	A	A	A	A	A	A	A	A	A	A	A	A	A	A	A	A	A	A

1 2 3 4 5 6 7 8 9 10 11 12 13 14 15 16 17 18 19 20 21 22 23 24 25 26 27 28 29 30 31 32 33 34 35 36 37 38 39 40 41 42 43 44 45 46 47 48 49 50

A = 78 STANDARD CONTACTS L=4,5

Marking	Standard
Performance level	G1/0 = Contact area level / Termination fin
Flux proof	no
Fixing clip	no
Dimensions	SD-85048-0001 sht.1
Technical Data	PS-85042-0001

A	G1/0	a4-29	b4-29	c4-29
Contact symbol	Perform. level	Contact position number		

ECN 2478	first release	FOR PREVIOUS REVISIONS SEE MRL LIST	
REVISIONS		REVISE ONLY ON CAD SYSTEM	
CAD/CAM PROJECT NAME		SH. REV.	
s8504807		THIS DRAWING CONTAINS INFORMATION THAT IS PROPRIETARY TO MOLEX INC. & SHOULD NOT BE USED WITHOUT WRITTEN PERMISSION	
s31		1 OF 1	
TITLE		SHEET NO. DATE	
78 pos. female connector		1 OF 1 97/05/26	
acc. DIN 41612, style M		SIZE	
contacts arrangement		A	
molex MOLEX EUROPE		DWG NO. SD-85048-0737	
PART NO. 85048-0737		SIZE	
		A	

UNLESS OTHERWISE SPECIFIED TOLERANCES: ANGULAR $\pm 2^\circ$	DRWG BY	SIGN
INCH	KN	
METRIC	CHK'D BY	SIGN
3 PLACE \pm .	Ca	
2 PLACE \pm .	APP'D BY	SIGN
1 PLACE \pm .	JB	
DRAFT WHERE APPLICABLE MUST REMAIN WITHIN DIMENSIONS	SCALE	
DESIGN DIMENSION <input type="checkbox"/> MM <input type="checkbox"/> IN.		
EQUIVALENT DIMENSION <input type="checkbox"/> MM <input type="checkbox"/> IN.		
IF TWO DIMENSIONS ARE SHOWN, THE UPPER IS THE DESIGN DIMENSION, LOWER IS SECONDARY		