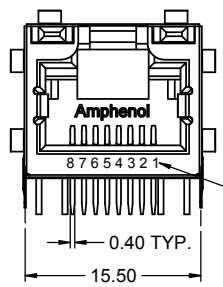
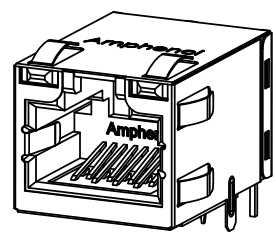
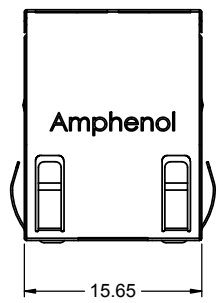
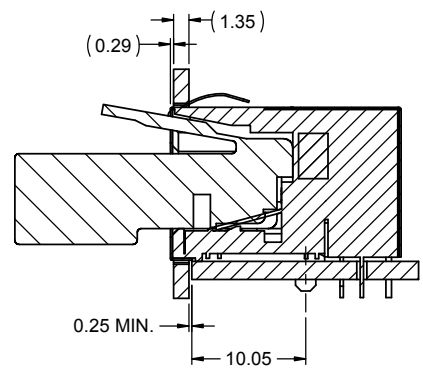
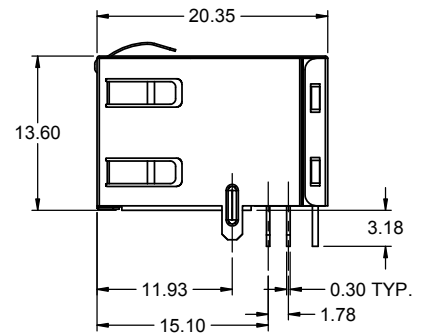


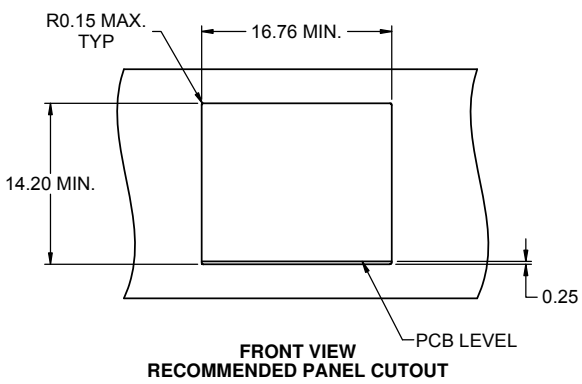
REVISIONS			
REV	DESCRIPTION, ECN, EAR NO.	DATE	APP'D
A	PROPOSAL DRAWING	MAY17/14	L.C.
B	FIX PCB LAYOUT	DEC8/15	L.C.



PIN NUMBERS SHOWN FOR REFERENCE ONLY



SIDE VIEW SHOWING PLUG INSERTED



FRONT VIEW RECOMMENDED PANEL CUTOUT

NOTES:

- VOLTAGE RATING: 125 VAC
- CURRENT RATING: 1.25 AMP
- INSULATING RESISTANCE: 500 MΩ
- DIELECTRIC STRENGTH: 1000 VACpeak 60Hz, 1 MIN
- DIELECTRIC WITHSTANDING VOLTAGE (CONTACT TO SHIELD): 1500 VACpeak 60Hz, 1 MIN
- PERFORMANCE CHARACTERISTIC:

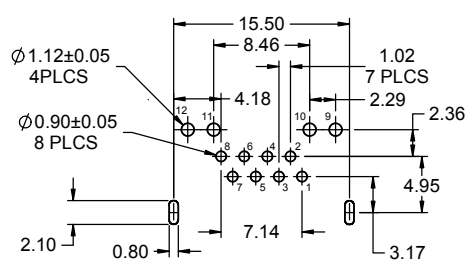
FREQUENCY (MHz)	NEAR-END CROSSTALK (dB, MIN.)	RETURN LOSS (dB, MIN)	ATTENUATION (dB, MAX)
1.0	65.0	30.0	0.10
4.0	65.0	30.0	0.10
8.0	64.9	30.0	0.10
10.0	63.0	30.0	0.10
16.0	58.9	30.0	0.20
20.0	57.0	30.0	0.20
25.0	55.0	30.0	0.20
31.25	53.1	30.0	0.20
62.5	47.1	24.1	0.30
100.0	43.0	20.0	0.40

MATERIALS:

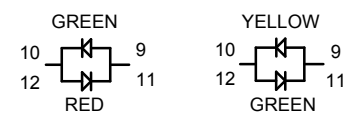
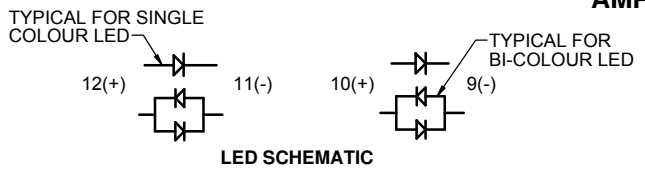
SHIELD - STAINLESS STEEL, WITH TIN-DIP ON SOLDER TABS
 HOUSING - HIGH TEMP THERMOPLASTIC, UL 94V-0
 INSERT - HIGH TEMP THERMOPLASTIC, UL 94V-0
 PCB - FR-4
 CONTACTS - PHOSPHOR BRONZE, 50µ" SELECTIVE GOLD PLATING FOR MATING AREA, 50µ" NICKEL UNDERPLATE, 100µ" MATTE TIN PLATING ON CONTACT TAILS

- STORAGE TEMPERATURE: -40° TO +85°C
- OPERATING TEMPERATURE: -40° TO +85°C
- MATES WITH MODULAR PLUG CONFORMING TO FCC PART 68, SUBPART F.
- RECOMMENDED SOLDER PROCESS: WAVE SOLDER, PEAK TEMP 260°C FOR 10 SECONDS.

AMPHENOL PART NUMBER: RJE1A-188-5XX1



RECOMMENDED PCB LAYOUT COMPONENT SIDE OF BOARD TOLERANCE: ±0.05mm



BI-COLOUR LED DETAIL (RED/YELLOW AND GREEN/ORANGE LED ARE ALSO AVAILABLE)

GOLD PLATING OPTION
 1= 6µ" GOLD PLATING
 2= 15µ" GOLD PLATING
 3= 30µ" GOLD PLATING
 4= 50µ" GOLD PLATING

REFER TO LED OPTIONS DRAWING FOR ORDERING CODES

UNLESS SPECIFIED OTHERWISE	DRAWN	J.FENG	MAY17/14
PRIMARY UNITS	MILLIMETERS	CHECKED	L.CHAN
SECONDARY		M.E. APP'D	
REFERENCE IN PARENTHESES		Q.A. APP'D	
GENERAL TOLERANCES	DWG APPR.		
1 DECIMAL PLACE	ENG. REL. NO.		
2 DECIMAL PLACES	REF.		
3 DECIMAL PLACES	THIRD ANGLE PROJECTION		
ANGULAR DEGREES	DO NOT SCALE DRAWING		

Amphenol Canada Corp.
www.amphenolcanada.com

MODULAR JACK, SINGLE PORT, 8 POSITION, 8 CONTACTS, SHIELDED WITH TOP & SIDE TABS, WITH LEADS, TAB UP, CAT 5E, ROHS COMPLIANT

DWG. NO. **P-RJE1A-188-5XX1** REV **B**

CODE ID NO. **03554** DWG SIZE: **C** SCALE: **3:1** SHEET **1** OF **1**