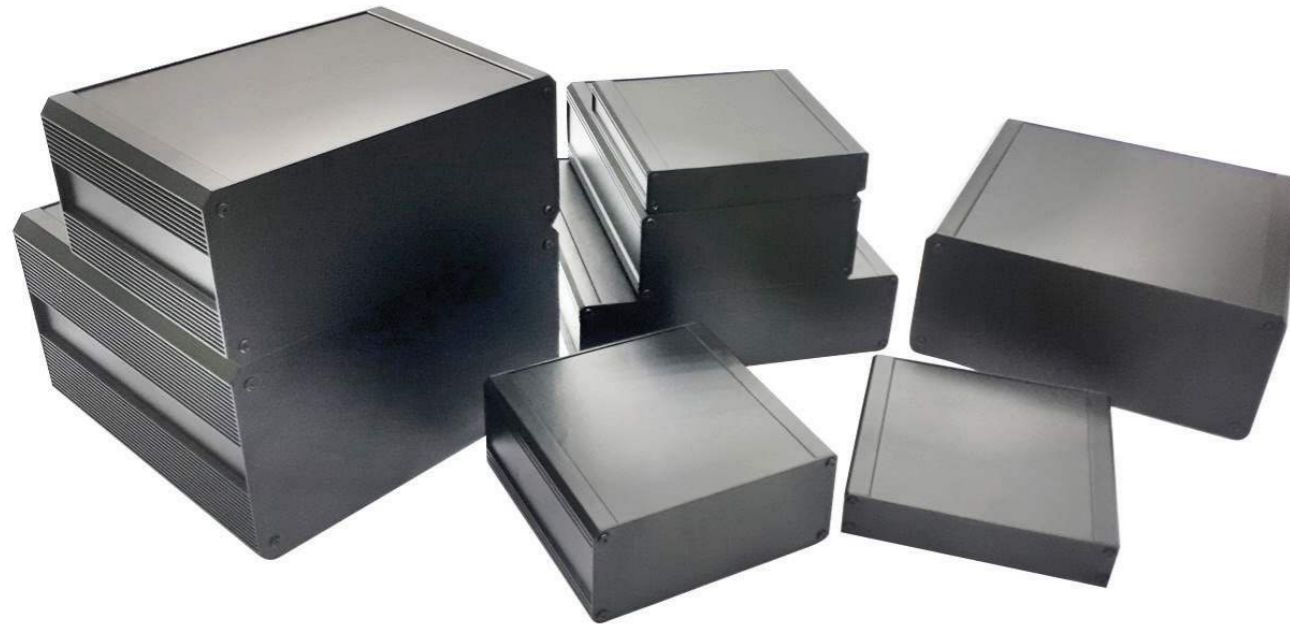
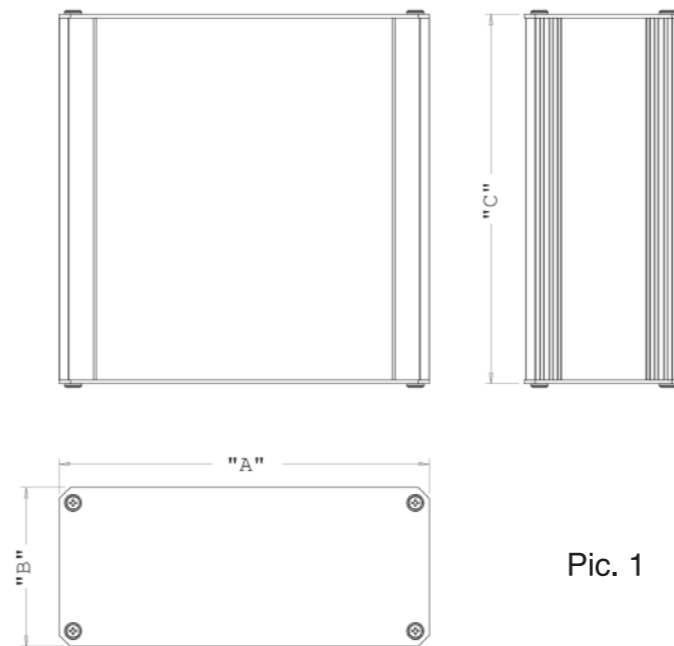


EAB SERIES

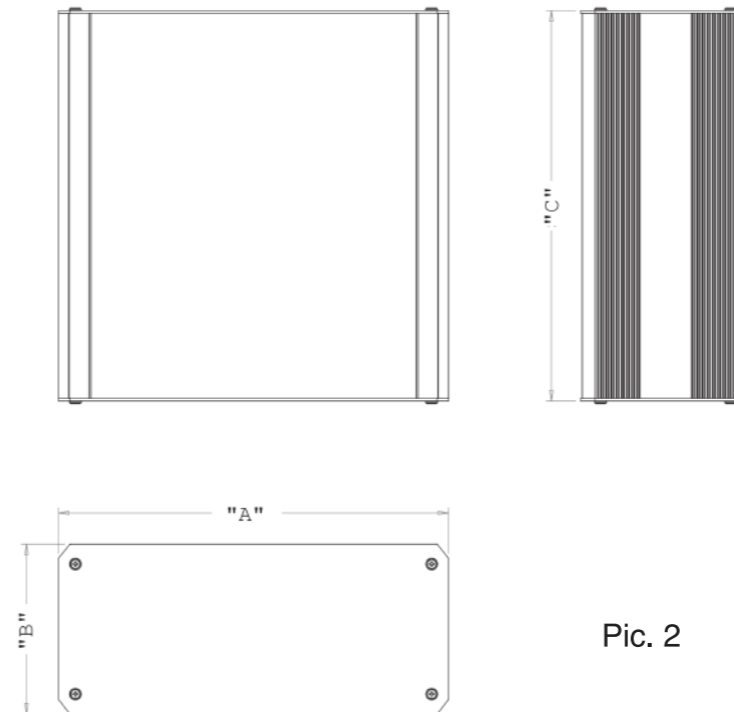


EAB Models and Dimensions



Pic. 1

Note: The head of screw M5x10 phillips is 2.00 mm thick



Pic. 2

Note: The head of screw M5x10 phillips is 2.00 mm thick

Pic. 1 Table

For side frame 1U and 2U

| No. | MODEL | Dimension unit mm. | | | Net Weight [kg] | Shipping Weight [kg] |
|-----|-------------------|--------------------|-----|-----|-----------------|----------------------|
| | | "A" | "B" | "C" | | |
| 1 | EAB 1.0-100W-200D | 100 | 41 | 200 | 0.45 | 0.49 |
| 2 | EAB 1.0-100W-300D | 100 | 41 | 300 | 0.62 | 0.67 |
| 3 | EAB 1.0-100W-400D | 100 | 41 | 400 | 0.78 | 0.86 |
| 4 | EAB 1.0-200W-200D | 200 | 41 | 200 | 0.63 | 0.78 |
| 5 | EAB 1.0-200W-300D | 200 | 41 | 300 | 0.92 | 1.04 |
| 6 | EAB 1.0-200W-400D | 200 | 41 | 400 | 1.18 | 1.32 |
| 7 | EAB 1.0-300W-200D | 300 | 41 | 200 | 0.88 | 1.00 |
| 8 | EAB 1.0-300W-300D | 300 | 41 | 300 | 1.23 | 1.38 |
| 9 | EAB 1.0-300W-400D | 300 | 41 | 400 | 1.57 | 1.73 |
| 10 | EAB 2.0-100W-200D | 100 | 86 | 200 | 0.58 | 0.62 |
| 11 | EAB 2.0-100W-300D | 100 | 86 | 300 | 0.79 | 0.85 |
| 12 | EAB 2.0-100W-400D | 100 | 86 | 400 | 1.00 | 1.08 |
| 13 | EAB 2.0-200W-200D | 200 | 86 | 200 | 0.85 | 0.93 |
| 14 | EAB 2.0-200W-300D | 200 | 86 | 300 | 1.15 | 1.40 |
| 15 | EAB 2.0-200W-400D | 200 | 86 | 400 | 1.45 | 1.59 |
| 16 | EAB 2.0-300W-200D | 300 | 86 | 200 | 1.12 | 1.24 |
| 17 | EAB 2.0-300W-300D | 300 | 86 | 300 | 1.50 | 1.72 |
| 18 | EAB 2.0-300W-400D | 300 | 86 | 400 | 1.89 | 2.05 |

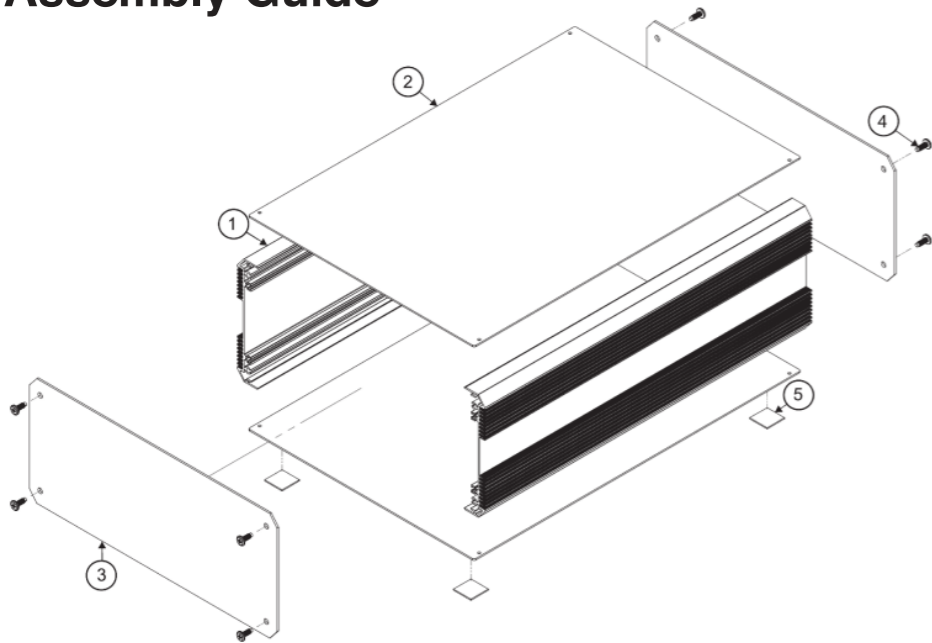
Pic. 2 Table

For side frame 3U and 6U

| No. | MODEL | Dimension unit mm. | | | Net Weight [kg] | Shipping Weight [kg] |
|-----|-------------------|--------------------|-----|-----|-----------------|----------------------|
| | | "A" | "B" | "C" | | |
| 1 | EAB 3.0-100W-200D | 100 | 130 | 200 | 0.95 | 0.99 |
| 2 | EAB 3.0-100W-300D | 100 | 130 | 300 | 1.33 | 1.38 |
| 3 | EAB 3.0-100W-400D | 100 | 130 | 400 | 1.70 | 1.77 |
| 4 | EAB 3.0-200W-200D | 200 | 130 | 200 | 1.27 | 1.34 |
| 5 | EAB 3.0-200W-300D | 200 | 130 | 300 | 1.73 | 1.85 |
| 6 | EAB 3.0-200W-400D | 200 | 130 | 400 | 2.19 | 2.33 |
| 7 | EAB 3.0-300W-200D | 300 | 130 | 200 | 1.59 | 1.80 |
| 8 | EAB 3.0-300W-300D | 300 | 130 | 300 | 2.14 | 2.40 |
| 9 | EAB 3.0-300W-400D | 300 | 130 | 400 | 2.69 | 2.85 |
| 10 | EAB 4.0-100W-200D | 100 | 175 | 200 | 1.28 | 1.32 |
| 11 | EAB 4.0-100W-300D | 100 | 175 | 300 | 1.80 | 1.86 |
| 12 | EAB 4.0-100W-400D | 100 | 175 | 400 | 2.32 | 2.39 |
| 13 | EAB 4.0-200W-200D | 200 | 175 | 200 | 1.65 | 1.73 |
| 14 | EAB 4.0-200W-300D | 200 | 175 | 300 | 2.26 | 2.38 |
| 15 | EAB 4.0-200W-400D | 200 | 175 | 400 | 2.86 | 3.00 |
| 16 | EAB 4.0-300W-200D | 300 | 175 | 200 | 2.02 | 2.14 |
| 17 | EAB 4.0-300W-300D | 300 | 175 | 300 | 2.71 | 3.20 |
| 18 | EAB 4.0-300W-400D | 300 | 175 | 400 | 3.41 | 3.57 |
| 19 | EAB 5.0-200W-200D | 200 | 219 | 200 | 2.05 | 2.13 |
| 20 | EAB 5.0-200W-300D | 200 | 219 | 300 | 2.81 | 2.93 |
| 21 | EAB 5.0-200W-400D | 200 | 219 | 400 | 3.57 | 3.71 |
| 22 | EAB 5.0-300W-200D | 300 | 219 | 200 | 2.47 | 2.59 |
| 23 | EAB 5.0-300W-300D | 300 | 219 | 300 | 3.32 | 3.47 |
| 24 | EAB 5.0-300W-400D | 300 | 219 | 400 | 4.16 | 4.50 |
| 25 | EAB 6.0-200W-200D | 200 | 264 | 200 | 2.46 | 2.53 |
| 26 | EAB 6.0-200W-300D | 200 | 264 | 300 | 3.37 | 3.49 |
| 27 | EAB 6.0-200W-400D | 200 | 264 | 400 | 4.28 | 4.42 |
| 28 | EAB 6.0-300W-200D | 300 | 264 | 200 | 2.93 | 3.05 |
| 29 | EAB 6.0-300W-300D | 300 | 264 | 300 | 3.93 | 4.08 |
| 30 | EAB 6.0-300W-400D | 300 | 264 | 400 | 4.92 | 5.08 |



EAB SERIES Assembly Guide



Description

- 1. Side Frame
- 2. Top/Bottom Cover
- 3. Front/Rear Panel
- 4. Screw M5x10 Phillips
- 5. Rubber Feet

Q'ty

- [2]
- [2]
- [2]
- [8]
- [4]

General Purpose Bar kit [GP Bar] option



GP Bar Profile

GP Bar Large side : GP Bar L for EAB3.0, EAB4.0, EAB5.0 and EAB6.0

GP Bar Small side : GP Bar S for EAB1.0 and EAB2.0

Q'ty

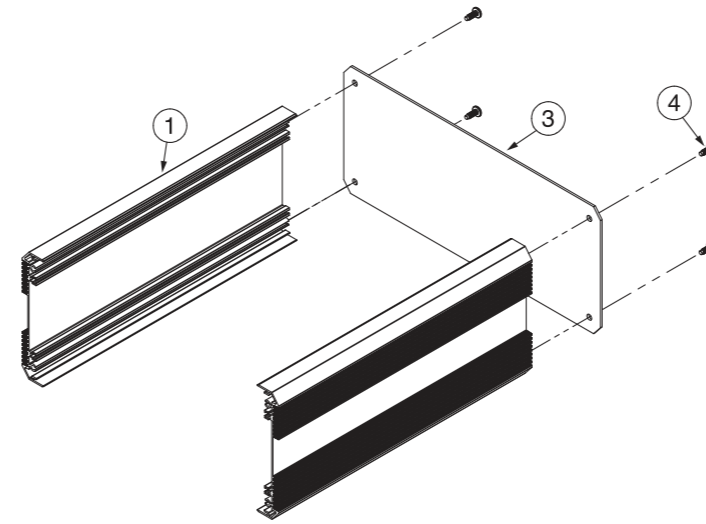
GP Bar kit (L or S) consist of

- 1. GP Bar (L or S)
- 2. GP bracket
- 3. Screw M3x6 phillips
- 4. Nut OB M3

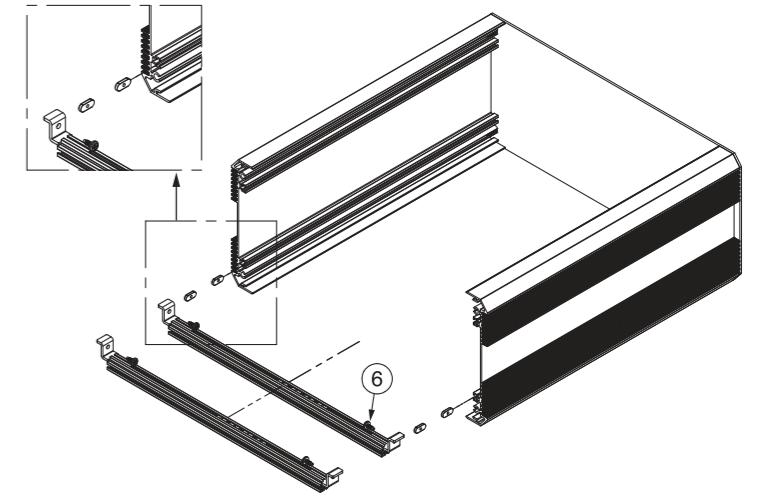
- [2]
- [4]
- [4]
- [12]

Note: GP Bar length relates to the width ["A" dimension] when you order pls tell us GP Bar profile and the width such as "GP-S Bar 100W or GP-L Bar 200W"

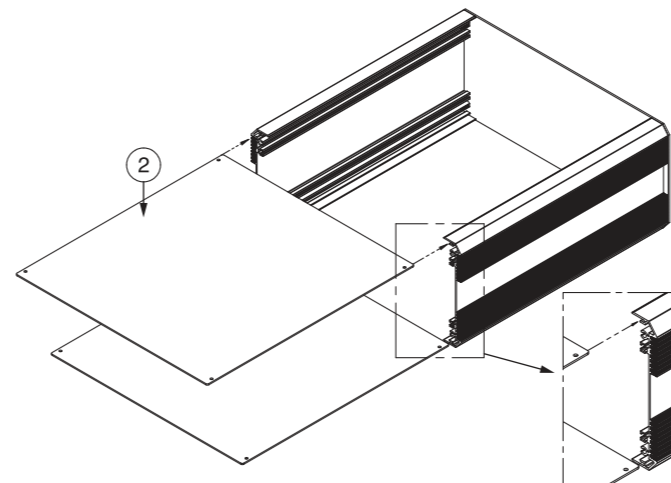
User should prepare all component assemblies and complete any modifications (drilling/punching holes) before assembly.



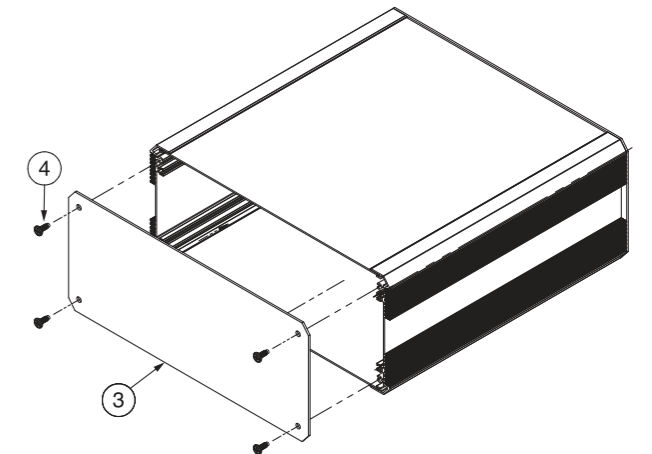
1. Install (3) front/rear panel to (1) side frame and secure with (4) screw M5x10 phillips 4pcs.



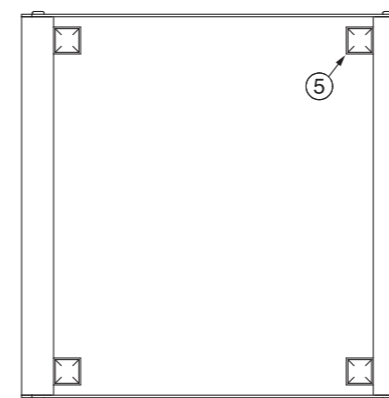
2. Install (6) GP Bar kit [option] into the slide rail slot in side frame and secure with GP bar position by screw M3x6 phillips. We advice to install user components at this stage. Our GP Bar Kits are ideal for this purpose, but user can prepare their own method



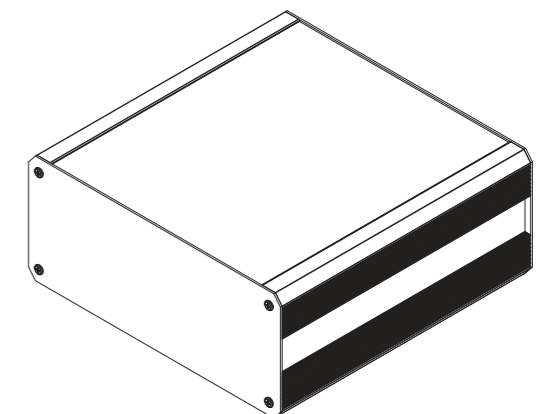
3. Slide the (2) top/bottom covers into the side frame slots.



4. Install (3) front/rear cover and secure with (4) screw M5x10 phillips 4pcs.



5. Place the (5) rubber feet 4pcs. at the bottom side of EAB box. *** clean surface before placing rubber foot. Isopropyl Alcohol 70% is recommended ***



6. Completed Assembly.

