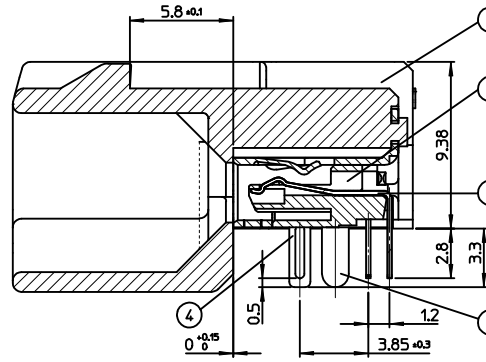
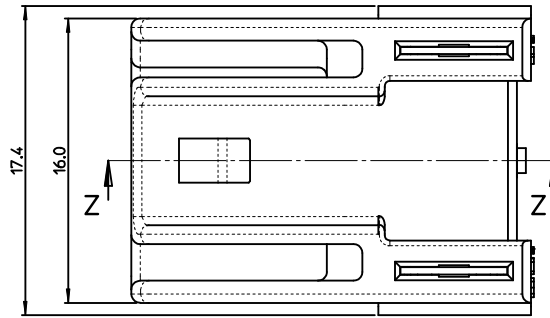
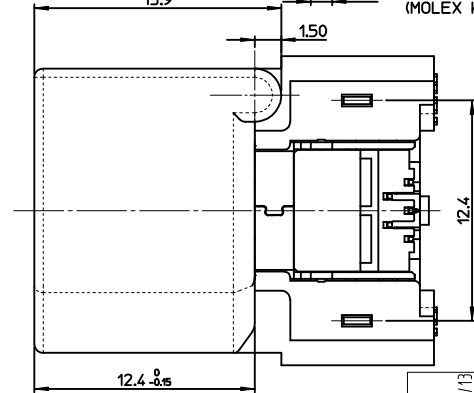
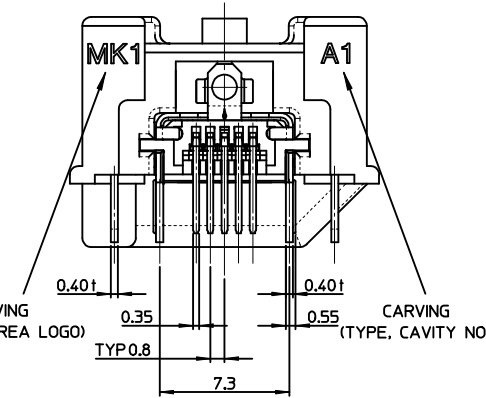
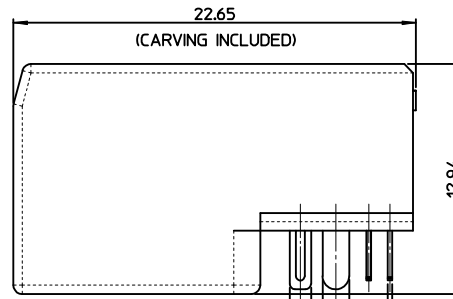
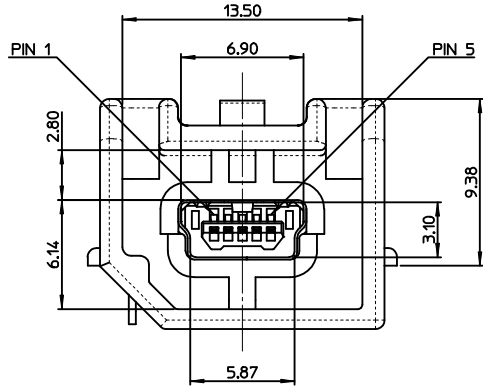


ISOMETRIC VIEW



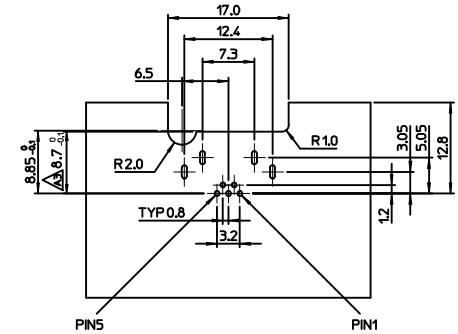
SECTION Z-Z



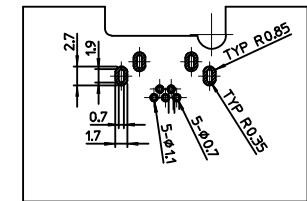
<PART LIST>

NO.	PART NAME	MATERIALS
①	SHROUD	LCP, glass-filled, UL94 V-0
②	REC. HOUSING	LCP, glass-filled, UL94 V-0
③	TERMINAL	COPPER ALLOY
④	SHIELD CASE	PHOSPHOR BRONZE
⑤	FITTING NAIL	BRASS

RECOMMENDED PCB LAYOUT  
- TYPE 'A'  
(TOP VIEW, COMPONENT SIDE)



(BOTTOM VIEW, SOLDER SIDE)



- NOTE
- MATES WITH :  
(MOLEX SERIES NO. - 111014, 111015, 111005, 111041, 111019, 111020)
  - SHROUD GEOMETRY AND ASSEMBLY WITH USB MINI-B CONNECTOR ARE ACCORDING TO USCAR STD 999-U-USB-Z01
  - FINISHES
    - TERMINAL :  
CONTACT AREA : GOLD 0.75μm MIN.  
SOLDER TAIL AREA : TIN 3.8μm MIN.  
UNDER PLATING : NI 1.25μm MIN.
    - SHIELD CASE :  
3.0μm MIN. TIN OVER NI 1.0μm MIN.
    - FITTING NAIL :  
3.0μm MIN. TIN OVER NI 1.0μm MIN.
  - UNLESS OTHERWISE SPECIFIED, TYPICAL RECOMMENDED PCB MANUFACTURING TOLERANCE IS ±0.05
  - PACKAGING IS TRAY :  
(48 PCS/TRAY, 5 TRAY/TRAY BOX, 240 PCS/TRAY BOX, 960 PCS/CARTON BOX)
  - PRODUCT SPECIFICATION : PS-49616-001
  - PACKAGING INFORMATION : PK-49616-001
  - PCB THICKNESS : 1.6mm(REFERENCE)

<TABLE 1>

MATERIAL NO.	ORDER NO.	COLOR
496160711	49616-0711	BLACK

REVISED  
EC NO: KTR2013-0025  
2013/02/13  
DRW:HHMOON  
2013/02/13  
CHK:BCYOON  
2013/02/14  
APPR:JYCHOI  
2013/02/14

QUALITY SYMBOLS	GENERAL TOLERANCES (UNLESS SPECIFIED)		DIMENSION STYLE		SCALE	DESIGN UNITS	THIRD ANGLE PROJECTION	
	mm	INCH	MM ONLY		5:1	METRIC		
▽=0	4 PLACES ±---	±---	DRAWN BY	DATE	TITLE			
▽=0	3 PLACES ±---	±---	HTSONG	2008/04/25	HSAUTOLINK R/A HEADER TYPE-A			
	2 PLACES ±0.15	±---	CHECKED BY	DATE				
	1 PLACE ±0.25	±---	BCYOON	2008/04/25				
	ANGULAR ± 3°		APPROVED BY	DATE				
			EJ JUNG	2008/04/25				
DRAFT WHERE APPLICABLE MUST REMAIN WITHIN DIMENSIONS			MATERIAL NO.		DOCUMENT NO.		SHEET NO.	
			SEE TABLE1		SD-49616-001		1 OF 1	
			THIS DRAWING CONTAINS INFORMATION THAT IS PROPRIETARY TO MOLEX INCORPORATED AND SHOULD NOT BE USED WITHOUT WRITTEN PERMISSION					