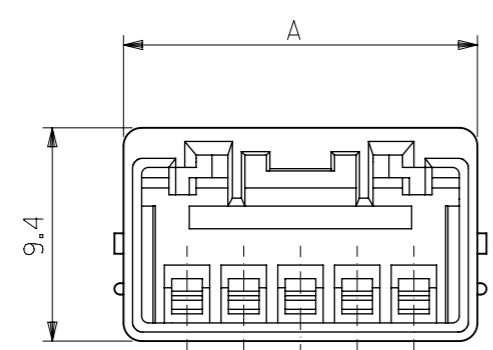
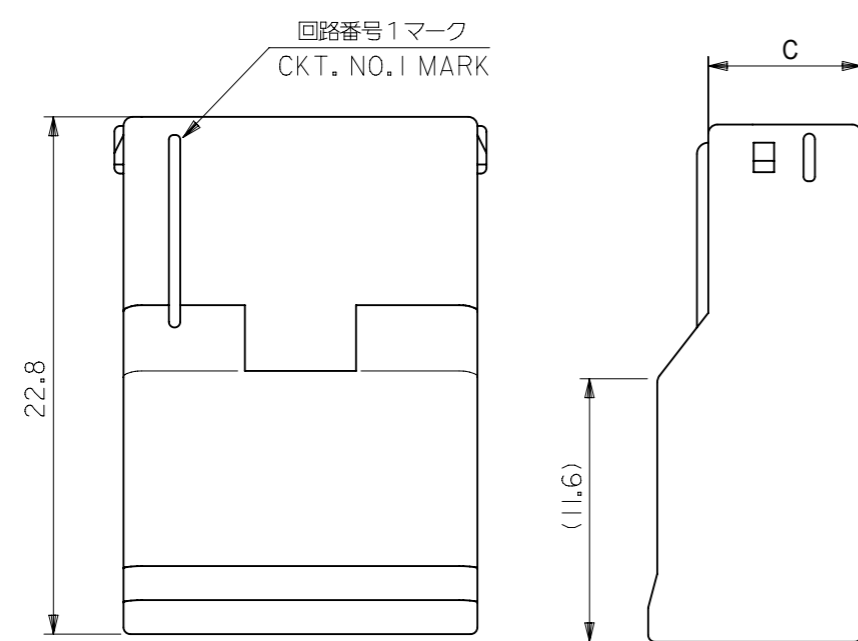
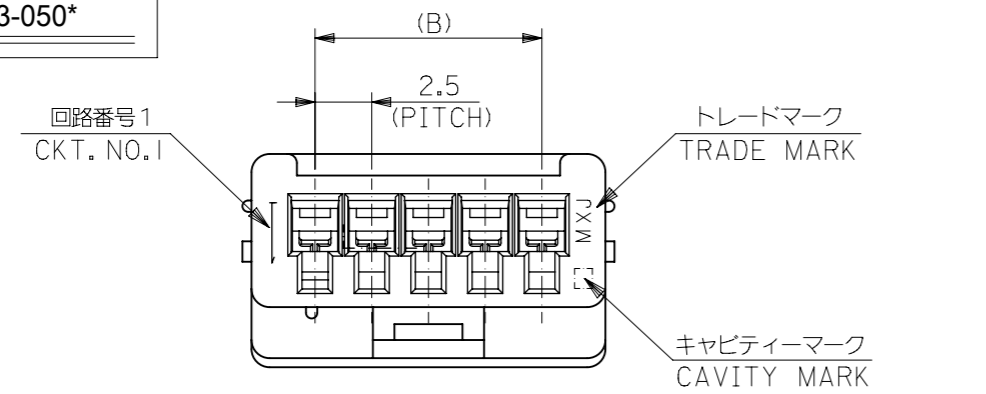
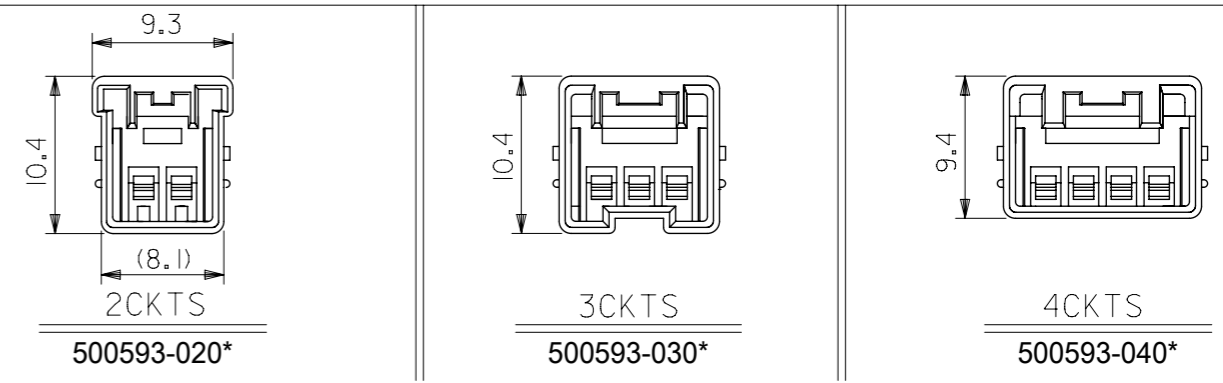


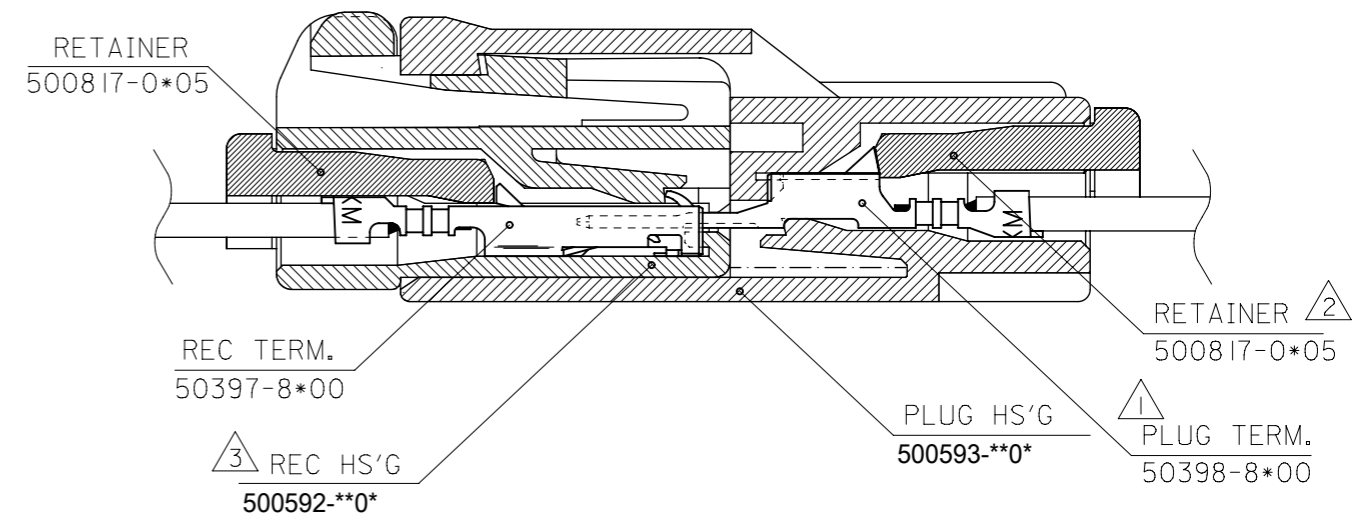
SHAPE OF
500593-050*



4極以下の極数レイアウト図
LAYOUT OF 2/3/4CKTS.



ターミナル装着状態図
TERMINAL ASSEMBLY DRAWING



注記
NOTES

- ① 適合ターミナル：50398シリーズ
APPLICABLE TERMINAL：50398 SERIES
- ② 適合リテーナー：500817シリーズ
APPLICABLE RETAINER：500817 SERIES
- ③ 嵌合相手：500592シリーズ
MATE WITH：500592 SERIES
- 4. 材質：PBT (UL94V-0)
MATERIAL：PBT(UL94V-0)

5. MATERIAL NO.は以下の内容を示す。
MATERIAL NO.:

500593-**0*

極数 CKT	色 COLOR
0	自然色 NATURAL
1	黒 BLACK
2	赤 RED
3	黄色 YELLOW
4	青 BLUE
6	緑 GREEN

FUNCTIONAL SYMBOLS		THIS DRAWING CONTAINS INFORMATION THAT IS PROPRIETARY TO MOLEX ELECTRONIC TECHNOLOGIES, LLC AND SHOULD NOT BE USED WITHOUT WRITTEN PERMISSION		500593-**0*		MODEL NO.	
▽A = 0	MM	SCALE	1:1	<p>molex</p> <p>2.5MM WIRE TO WIRE CONN. PLUG HOUSING</p> <p>PRODUCT CUSTOMER DRAWING</p>			
▽E = 0	GENERAL TOLERANCES (UNLESS SPECIFIED)						
▽F = 0	ANGULAR TOL ± 3.0°						
DIVISIONAL SYMBOLS		CURRENT REV DESC: OBSOLETE PART NUMBERS AS PER PCN#510807		EC NO: 726454		2022/10/20	
4 PLACES ± 0.2		DRWN: LIKITV		2022/11/30			
3 PLACES ± 0.25		CHK'D: GGA		2022/11/30			
2 PLACES ± 0.3		APPR: GGA		INITIAL REVISION:		DOCUMENT NUMBER	
1 PLACE ±		DRWN: U.MUMEDA		2005/04/07		SD-500593-001	
0 PLACES ±		APPR: KASAKAWA		2015/04/27		PSD 001 C1	
DRAFT WHERE APPLICABLE MUST REMAIN WITHIN DIMENSIONS		THIRD ANGLE PROJECTION		DRAWING		DOC TYPE DOC PART REVISION	
		A3-SIZE		SERIES		SHEET NUMBER	
		500593		MATERIAL NUMBER		1 OF 2	
		SEE CHART		CUSTOMER		GENERAL MARKET	



500592-080*	500817-0805	6.75	17.5	23.1	8	— // —	— // —	— // —	500593-0800	500593-**0*
↙ -070*	↙ -0705	↙	15	20.6	7	— // —	— // —	— // —	↙ -0700	
↙ -060*	↙ -0605	↙	12.5	18.1	6	— // —	— // —	— // —	↙ -0600	
↙ -050*	↙ -0505		10	15.6	5	— // —	— // —	— // —	↙ -0500	
↙ -040*	↙ -0405	6.75	7.5	13.1	4	— // —	— // —	— // —	↙ -0400	
↙ -030*	↙ -0305	7.75	5	10.6	3	500593-0304	— // —	500593-0301	↙ -0300	
500592-020*	500817-0205	7.75	2.5	8.1	2	500593-0204	500593-0202	500593-0201	500593-0200	MODEL NO.
MATE WITH	CONFORTABLE-RETAINER	C	B	A	CKT.	BLUE	RED	BLACK	NATURAL	
MATERIAL NO.										

FUNCTIONAL SYMBOLS FA = 0 FE = 0 FE = 0	THIS DRAWING CONTAINS INFORMATION THAT IS PROPRIETARY TO MOLEX ELECTRONIC TECHNOLOGIES, LLC AND SHOULD NOT BE USED WITHOUT WRITTEN PERMISSION		CURRENT REV DESC: OBSOLETE PART NUMBERS AS PER PCN#510807			molex		
	DIMENSION UNITS	SCALE						
DIVISIONAL SYMBOLS	GENERAL TOLERANCES (UNLESS SPECIFIED)	EC NO: 726454			PRODUCT CUSTOMER DRAWING			
	ANGULAR TOL ± 3.0 °	DRWN: LIKITV 2022/10/20						
	4 PLACES ± 0.2	CHK'D: GGA 2022/11/30						
	3 PLACES ± 0.25	APPR: GGA 2022/11/30						
	2 PLACES ± 0.3	INITIAL REVISION:						
1 PLACE ±	DRWN: U.MUMEDA 2005/04/07			DOCUMENT NUMBER	DOC TYPE	DOC PART	REVISION	
0 PLACES ±	APPR: KASAKAWA 2015/04/27			SD-500593-001	PSD	001	C1	
DRAFT WHERE APPLICABLE MUST REMAIN WITHIN DIMENSIONS	THIRD ANGLE PROJECTION	DRAWING	SERIES	MATERIAL NUMBER	CUSTOMER	SHEET NUMBER		
		A3-SIZE	500593	SEE CHART	GENERAL MARKET	2 OF 2		

DOCUMENT STATUS	P1	RELEASE DATE	2022/11/30	11:33:22
-----------------	----	--------------	------------	----------