

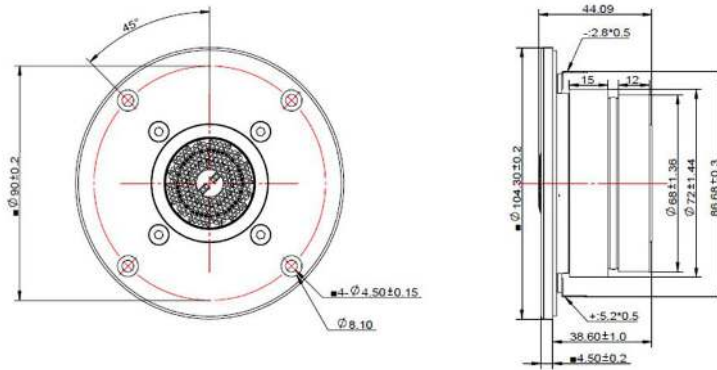
Tweeter

This D family tweeter features an 4 ohm 1 inch voice coil, a treated Al dome, large rear chamber for low resonant frequency, and a ferrofluid-cooled ferrite motor. The large motor and rear chamber allow for robust power handling capacity. The tweeter comes with a faceplate with recessed mounting holes, for easy installation into the desired application.



DA25BG08-04

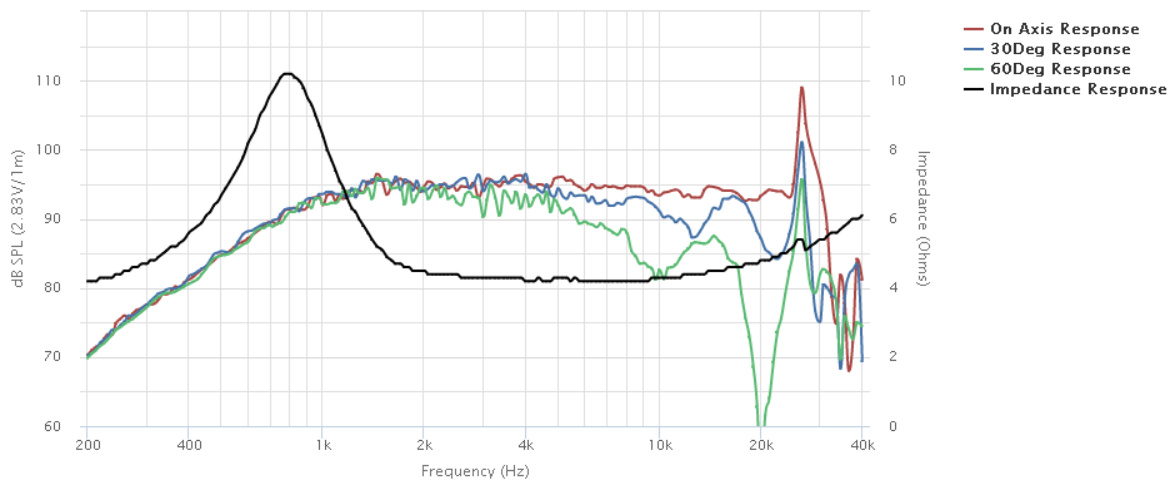
MECHANICAL 2D DRAWING



SPECIFICATIONS

DC Resistance	Revc	Ω	3.1	$\pm 5.0\%$	Moving Mass	Mms	g	0.3
Minimum Impedance	Zmin	Ω	4.16	$\pm 7.5\%$	Suspension Compliance	Cms	um/N	137.5
Voice Coil Inductance	Le	mH	0.01	-	Effective Cone Diameter	D	cm	2.91
Resonant Frequency	fs	Hz	770.18	15%	Effective Piston Area	Sd	cm ²	6.7
Mechanical Q Factor	Qms	-	1.88	-	Equivalent Volume	Vas	L	0.01
Electrical Q Factor	Qes	-	0.82	-	Motor Force Factor	BL	T•m	2.38
Total Q Factor	Qts	-	0.57	-	Motor Efficiency Factor	β	(T•m ²)/ Ω	1.8
Ratio	fs/Qts	-	1348.83	-	Voice Coil Former Material	VCfm	-	ASV
Half Space Sensitivity	dB@2.83V/1m	dB	94.71	± 1.01	Voice Coil Inner Diameter	VCd	mm	25.4
Sensitivity	1W/1m	dB	91.9	± 1.01	Gap Height	Gh	mm	3
Rated Noise Power (IEC 268-5 18.1)	P	W	100	-	Maximum Linear Excursion	Xmax	mm	0.7
Test Spectrum Bandwidth		12 dB/Oct	2K-20K	-	Ferrofluid Type	FF	-	APG027n
Energy Bandwidth Product	EBP	(1/Qes)•fs		-	Transducer Size		-	1 in
				-	Transducer Mass		Kg	0.68

FREQUENCY & IMPEDANCE RESPONSE



Highcharts.com