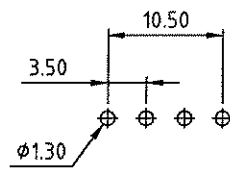
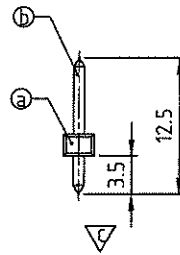
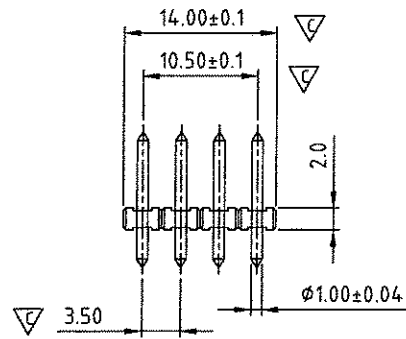
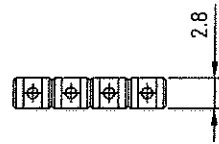


SIGN	DATE	DESCRIPTION	APPROVER
△			
THIS IS CAD DRAWING, DO NOT REVISE MANUALLY!!!			



P.C.B. LAYOUT

- Material:
- Item (a) Terminal(housing): Thermoplastic (UL94V-0)
 - Item (b) Contact pin: Brass, Bright Tin plated over Nickel plated

- Electrical: cULus
- Voltage rating: 300V
 - Current rating: 10A
 - Withstanding Voltage: 1.6KV
 - Operating temperature: -40°C to +115°C
 - Soldering temperature: 260°C±5°C/5 Sec
 - Safety Approval: cULus
 - Critical dimension: ▽



ANYTEK		CUSTOMER COPY	
ALL RIGHTS RESERVED. REPRODUCTION OR ISSUE TO THIRD PARTIES IN ANY FORM WHATEVER IS NOT PERMITTED WITHOUT WRITTEN AUTHORITY FROM THE PROPRIETOR. PROPERTY OF ANYTEK TECHNOLOGY CO., LTD			
TITLE	OP-3.5mm series (L=12.5 ϕ 1.0)		
PART NO.	OP0422000001G	DWG NO.	80P0117
APPROVED	CHECKED	DESIGNED	DRAWN
		Evan 11/19-15	Evan 11/03-15
SHEET: 01/01		Tolerance	
		UNIT: mm	X. \pm 0.50
		SCALE: NONE	X.X \pm 0.30
		REV.: B	X.XX \pm 0.10
		X°	\pm 1°