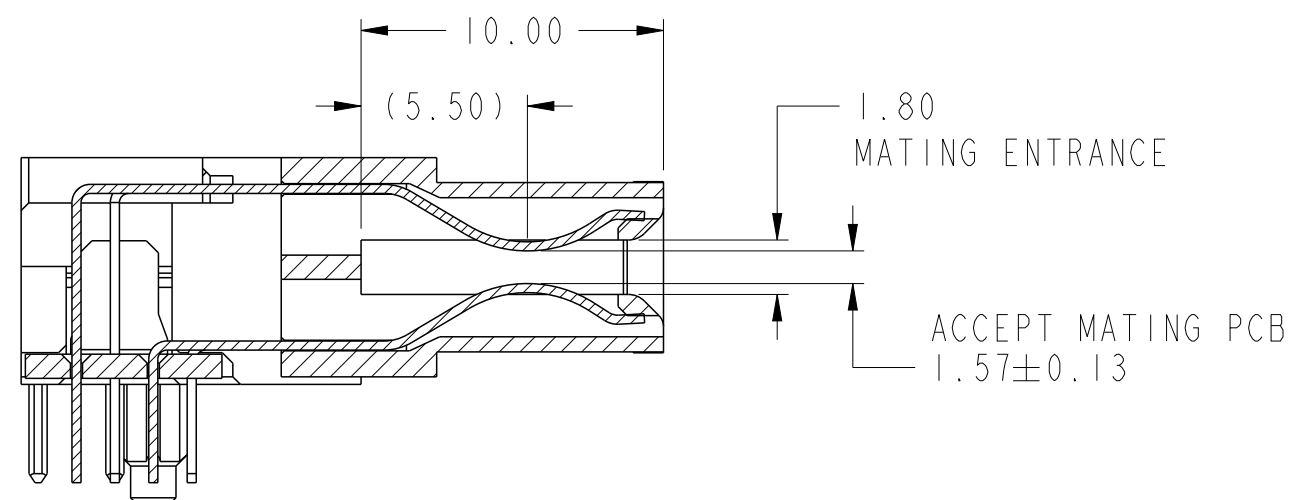


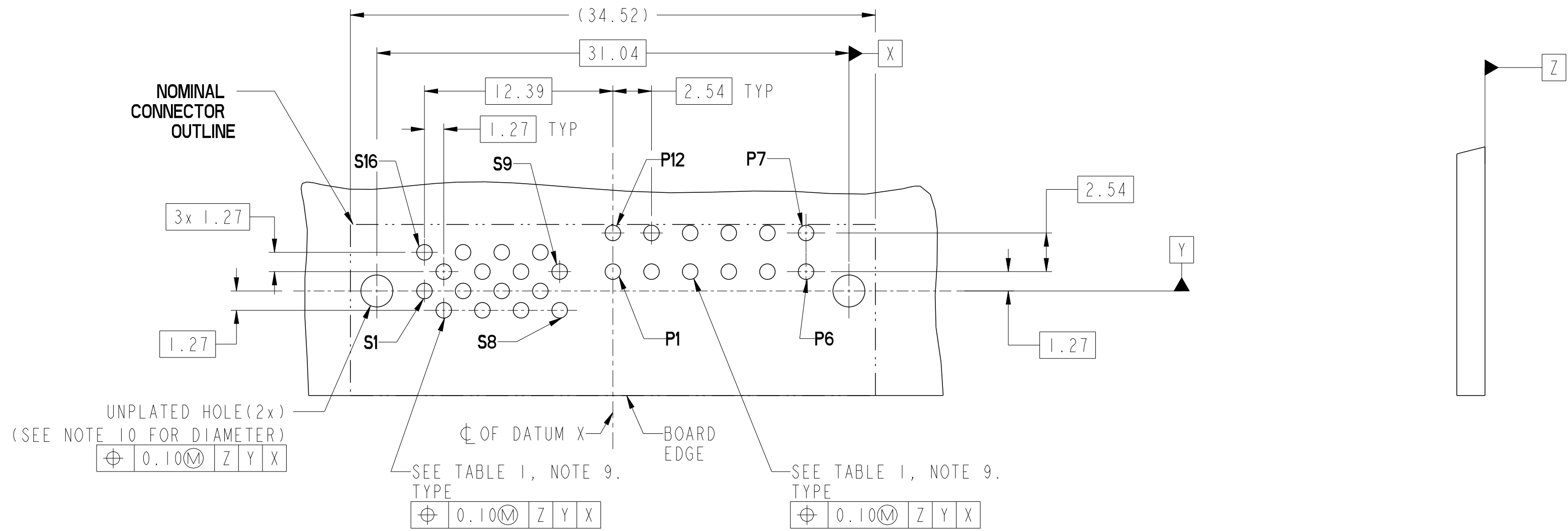
SECTION A-A
SCALE 4:1



SECTION B-B
SCALE 4:1

spec ref	-	dr	De-Ming Lu	2014/02/24	projection	MM	size	A2	scale	4:1
tolerance std	ISO 406 ISO 1101	eng	Sunny2 Liu	2016/05/06			ecn no	ELX-DG-24036-1	rel level	Released
TOLERANCES UNLESS OTHERWISE SPECIFIED		chr	Terris Liu	2016/05/20						
surface	linear	0.X	±0.5	0.XX	±0.25	0.XXX	±0.10	angular	0°	±2°
ISO 1302		Amphenol FCI		title		R/A RECT 16S+12P HIGH POWER CARD EDGE		cat. no.	Product - Customer Drw	sheet 1 of 4
		apppr		Pai-Ming Zheng	2016/05/24	dwg no	10129174	rev	B	

CONTACT TYPE	TOP LAYER DESCRIPTION	TABLE 1 (HPCE / SOLDER TAILS) PLATED THROUGH-HOLE REQUIREMENTS				
		DRILLED HOLE DIAMETER	COPPER THICKNESS	TIN-LEAD THICKNESS	TIN THICKNESS	FINISHED HOLE DIAMETER
POWER & SIGNAL	TIN-LEAD	1.10-1.16 (1.15 DRILL)	0.025 - 0.050	0.005 - 0.015	--	0.94 - 1.10
	IMMERSION TIN	1.10-1.16 (1.15 DRILL)	0.025 - 0.050	--	0.9 - 1.5um	0.94 - 1.10
	COPPER (SEE NOTE 8)	1.10-1.16 (1.15 DRILL)	0.025 - 0.050	--	--	0.94 - 1.10



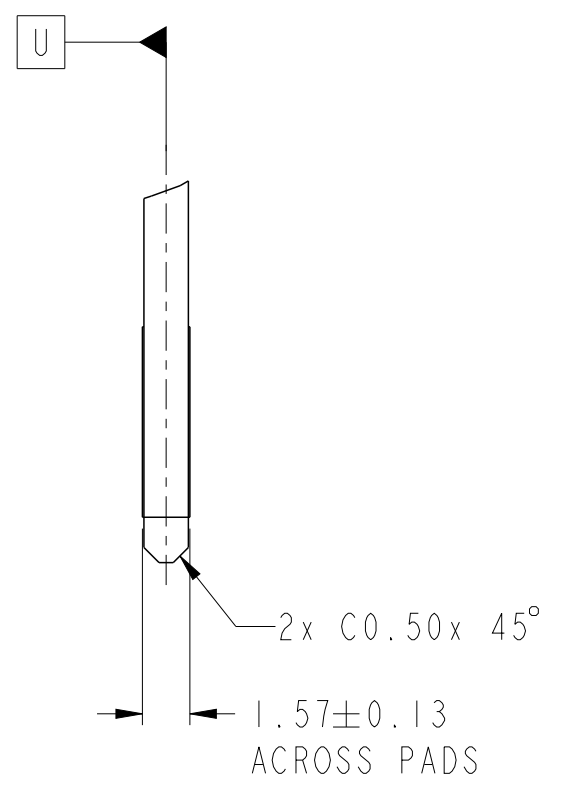
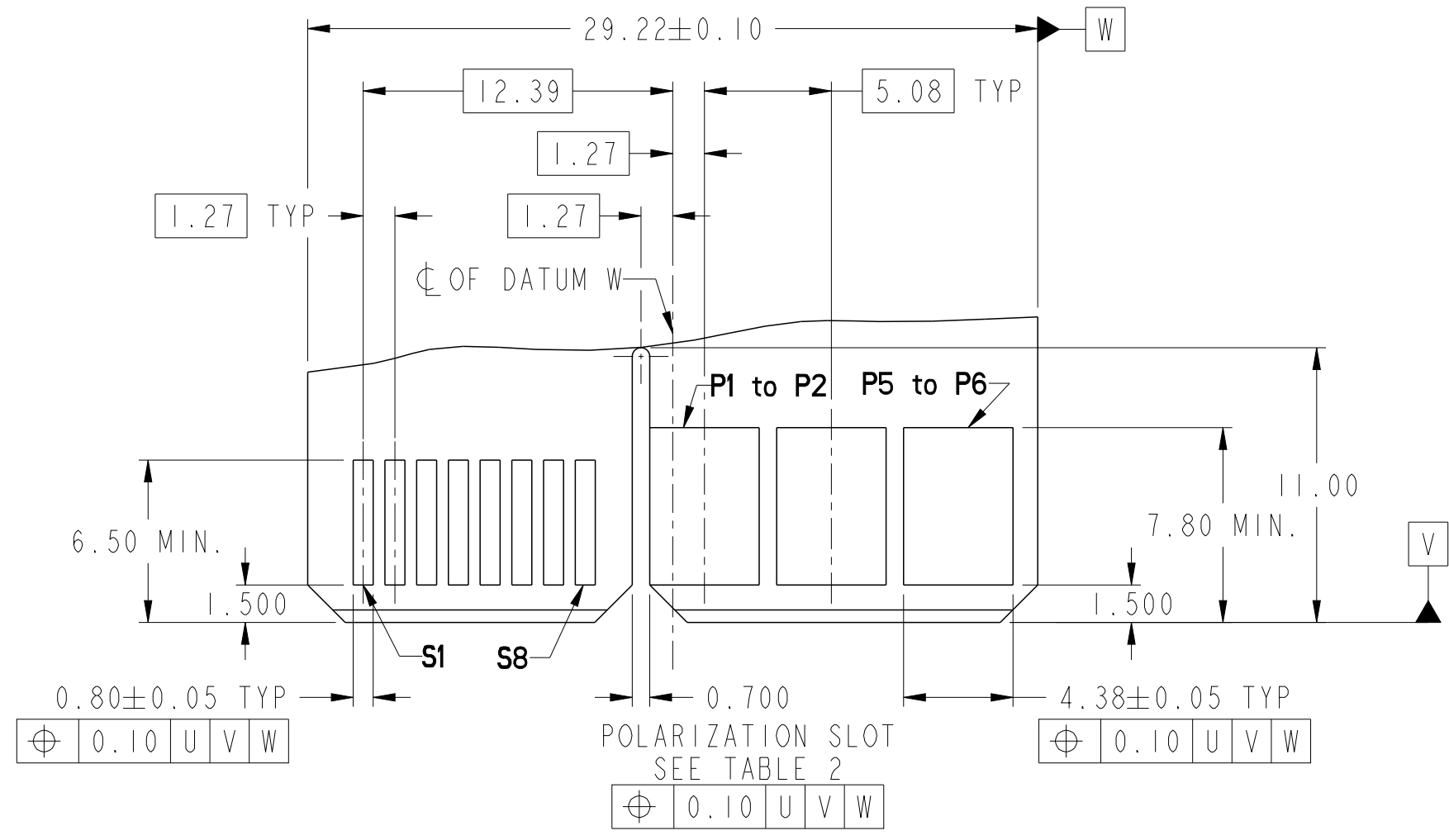
RECOMMENDED PCB LAYOUT

spec ref	-	dr	De-Ming Lu	2014/02/24	projection	MM	size	A2	scale	4:1	
tolerance std	ISO 406 ISO 1101	eng	Sunny2 Liu	2016/05/06			ecn no	ELX-DG-24036-1	rel level	Released	
TOLERANCES UNLESS OTHERWISE SPECIFIED		chr	Terris Liu	2016/05/20							
		appr	Pai-Ming Zheng	2016/05/24							
surface	linear	0.X	±0.5	Amphenol FCI		product family	R/A RECT 16S+12P	cat. no.	10129174	rev	B
		0.XX	±0.25				HIGH POWER CARD EDGE				
		0.XXX	±0.10								
	angular	0°	±2°								
Product - Customer Drw							sheet 2 of 4				

PDS: Rev :B

STATUS:Released

Printed: May 24, 2016



RECOMMENDED MATING BOARD FOOT PRINT

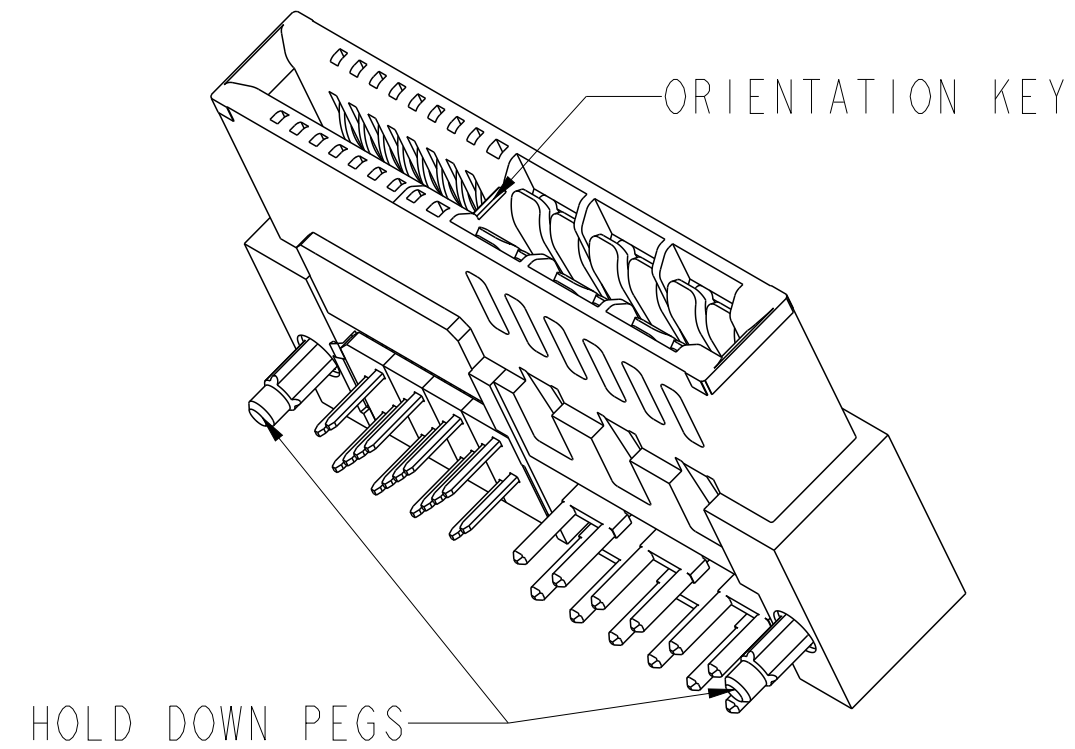
Amphenol FCI

© 2016 AFCI

spec ref	-	dr	De-Ming Lu	2014/02/24	projection	MM	size	A2	scale	4:1	
tolerance std	ISO 406 ISO 1101	eng	Sunny2 Liu	2016/05/06			ecn no	ELX-DG-24036-1			
TOLERANCES UNLESS OTHERWISE SPECIFIED		chr	Terris Liu	2016/05/20			rel level	Released			
surface	ISO 1302	appr	Pai-Ming Zheng	2016/05/24			product family				
linear	0.X ±0.5 0.XX ±0.25 0.XXX ±0.10	Amphenol FCI		title	R/A RECT 16S+12P HIGH POWER CARD EDGE		dwg no	10129174			
angular	0° ±2°			cat. no.	Product - Customer Drw		rev	B			

HPCE PART NUMBER (TABLE 2)

PART NUMBER	TAIL TYPE	HOLD-DOWN OPTION	ORIENTATION KEY	DIM "T" TAIL LENGTH
10129174-001LF	SOLDER TAIL	YES	YES	2.60±0.25
10129174-002LF			NO	
10129174-003LF		NO	YES	
10129174-004LF			NO	



NOTES:

1. CONNECTOR MATERIALS:

HOUSING: HIGH TEMPERATURE THERMAL PLASTIC, BLACK
UL 94V-0 COMPLIANT
CONTACTS: HIGH PERFORMANCE COPPER ALLOY.

2. CONTACT FINISH REF. GS-12-604 SECTION 5.2.

3. PRODUCT SPECIFICATION: GS-12-604.

4. APPLICATION SPECIFICATION: GS-20-128.

5. PRODUCT MARKING ON HOUSING IN AREA SHOWN MEETS AFCI SPECIFICATION: GS-24-007.

6. PACKAGING MEETS FCI SPECIFICATION GS-14-937.

7. HOUSING COMPONENT WILL WITHSTAND EXPOSURE TO 260°C PEAK TEMPERATURE FOR 60 SECONDS IN A CONVECTION, INFRA-RED, OR VAPOR PHASE REFLOW OVEN.

8. COPPER PLATING THICKNESS IN CENTER OF VIA-HOLE CAN BE NO MORE THAN 0.003 LESS THAN OTHER AREAS.

9. ALL HOLE SIZES ARE FINISHED HOLE SIZES.

10. MOUNTING HOLES ARE UNPLATED
Ø 2.18 +/- 0.03 FOR SOLDER TAILS

11. A SYMBOL $\triangle B$ WILL BE NEXT TO ANY DIMENSION, VIEW, OR NOTE WHICH HAS BEEN MODIFIED WITH THE CURRENT DRAWING REVISION.

spec ref	-	dr	De-Ming Lu	2014/02/24	projection	MM	size	A2	scale	4:1
tolerance std	ISO 406 ISO 1101	eng	Sunny2 Liu	2016/05/06			ecn no	ELX-DG-24036-1	rel level	Released
TOLERANCES UNLESS OTHERWISE SPECIFIED		chr	Terris Liu	2016/05/20						
surface	linear	0.X	±0.5		R/A RECT 16S+12P		cat. no.	Product - Customer Drw	sheet 4 of 4	rev B
		0.XX	±0.25							
	angular	0°	±2°							
ISO 1302		0.XXX	±0.10		HIGH POWER CARD EDGE					