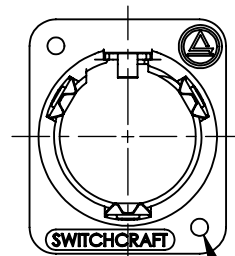
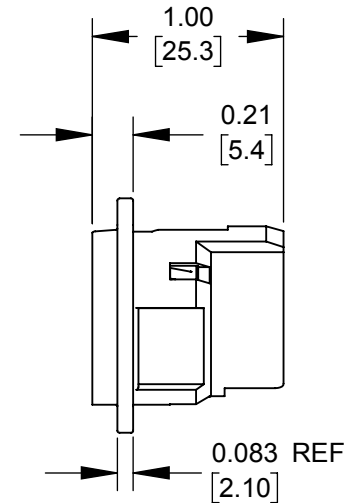
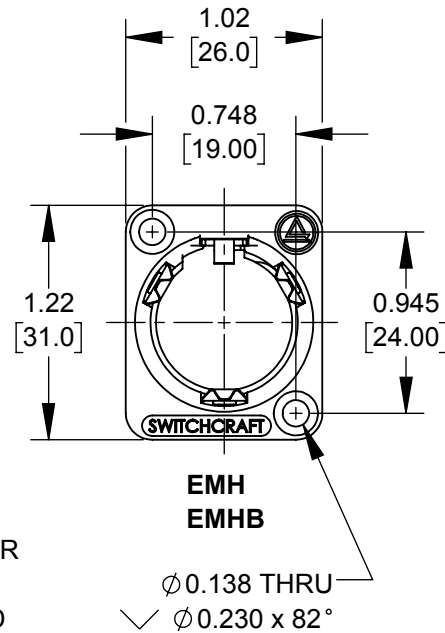
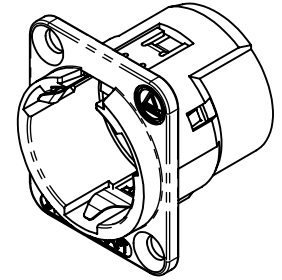
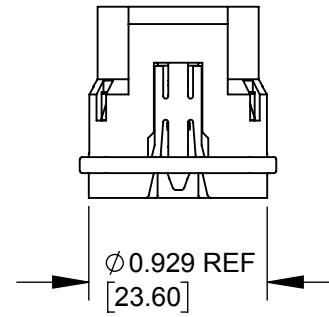


PART NUMBER	FINISH
EMH	MALE HOUSING NICKEL, FRONT MOUNT
EMH440	MALE HOUSING NICKEL, #4-40 REAR MOUNT
EMHM3	MALE HOUSING NICKEL, M3 REAR MOUNT
EMHB	MALE HOUSING BLACK, FRONT MOUNT
EMHB440	MALE HOUSING BLACK, #4-40 REAR MOUNT
EMHBM3	MALE HOUSING BLACK, M3 REAR MOUNT



EMH440
EMHM3
EMHB440
EMHBM3

#4-40 OR
M3 x 0.5
THREAD

EMH
EMHB

CUSTOMER DRAWING

NOTES:
1. RECOMMENDED MOUNTING HOLE ϕ 0.945.
[24.00]

					THIS DRAWING DESCRIBES A DESIGN CONSIDERED PROPRIETARY IN NATURE, DEVELOPED AND MANUFACTURED BY SWITCHCRAFT INC. AND IS RELEASED ON A CONFIDENTIAL BASIS FOR IDENTIFICATION PURPOSES ONLY.				
					SIZE	WIDTH	MULT	LBS/M	TEMPER
					UNLESS OTHERWISE SPECIFIED			FINISH	
					1. ALL DIMENSIONS IN INCHES [mm]			MATERIAL	
					- TWO PLACE DECIMALS \pm 0.02 [0.5]			SPEC No.	
					- THREE PLACE DECIMALS \pm 0.005 [0.13]			SCALE	
					FIRST USED ON			1:1	
B	REDRAWN 24609	10/22/03	TJK	TJK	DATE DRAWN	BY	CHKD	APVD	Switchcraft [®]
REV	ECO NUMBER	DATE	BY	APVD	6/13/91	KJB	THS 8/27/91	GHJ 8/27/91	
REVISIONS					DO NOT SCALE DRAWING				
					NAME "E" SERIES MALE HOUSING ASSEMBLY, RoHS			PART No. EMH_SERIES	
								REV B	

SolidWorks CAD File

