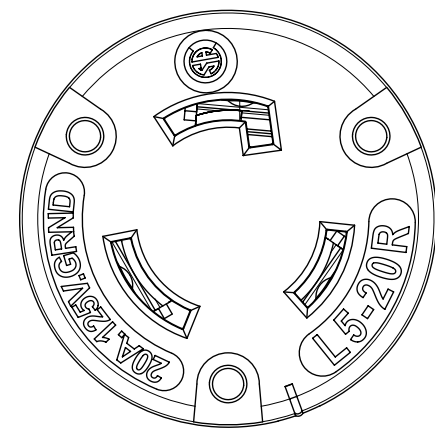
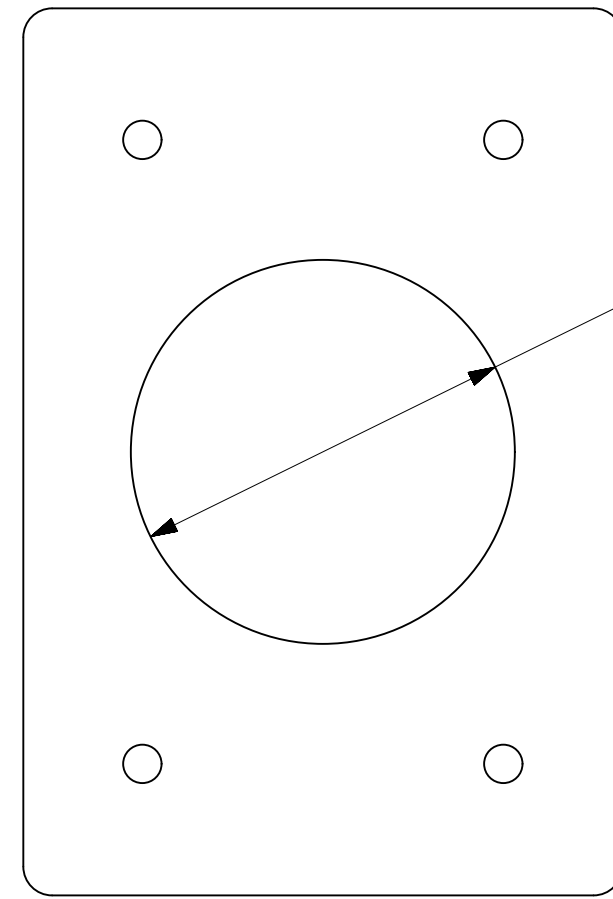
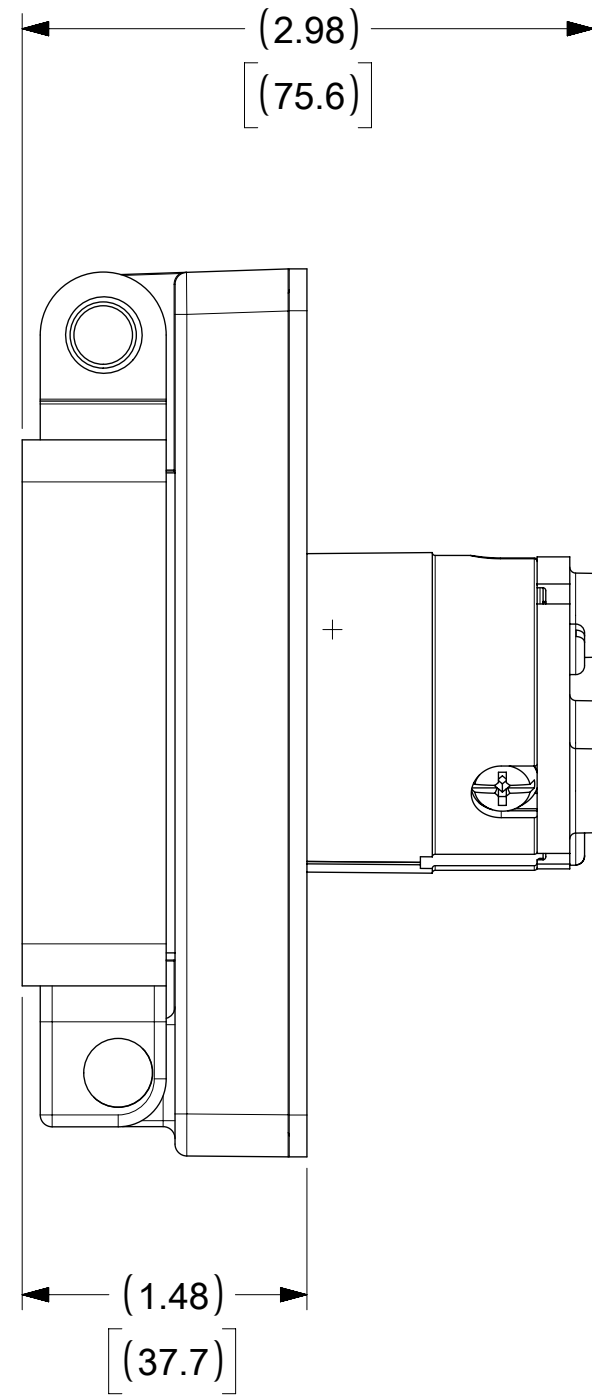
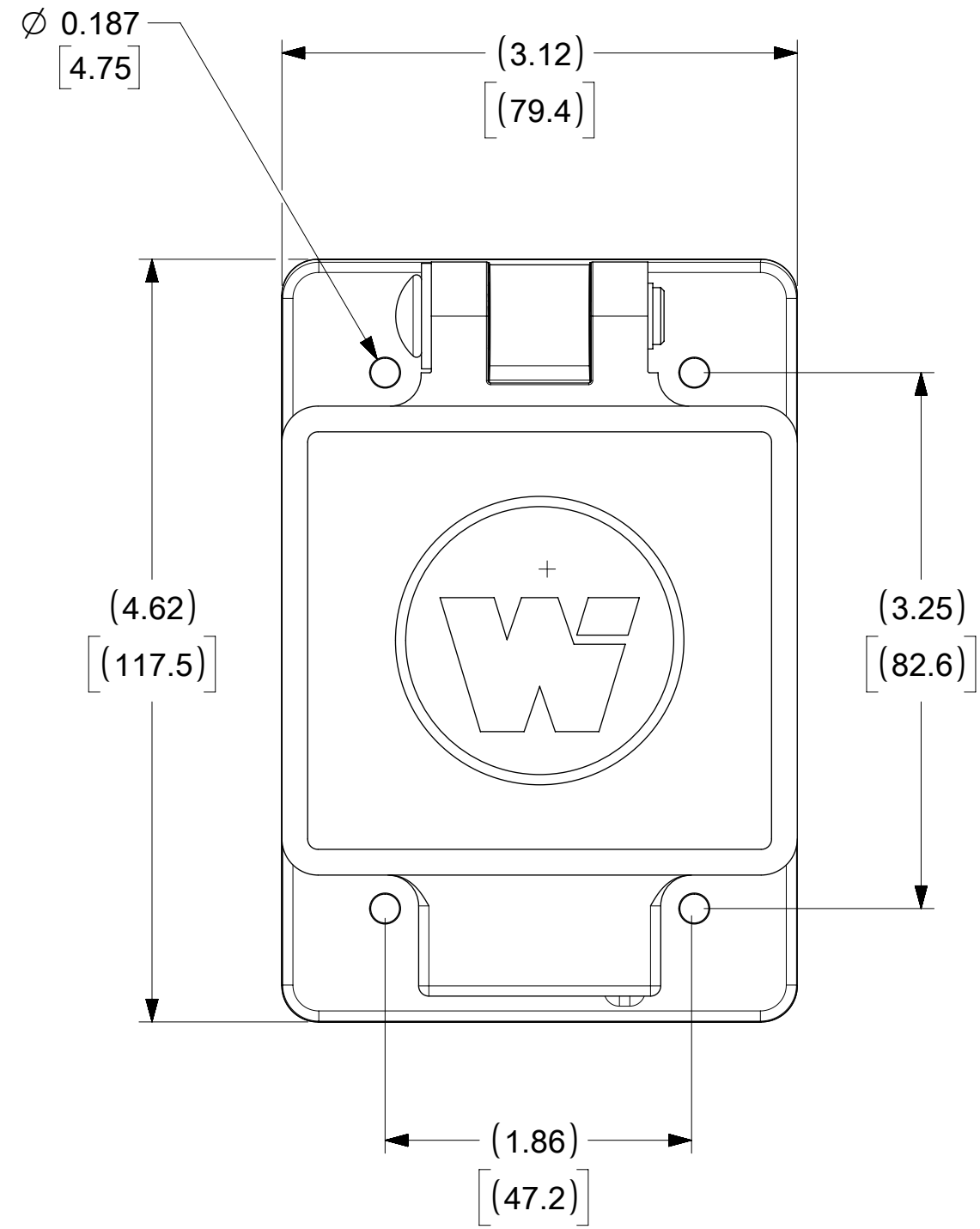
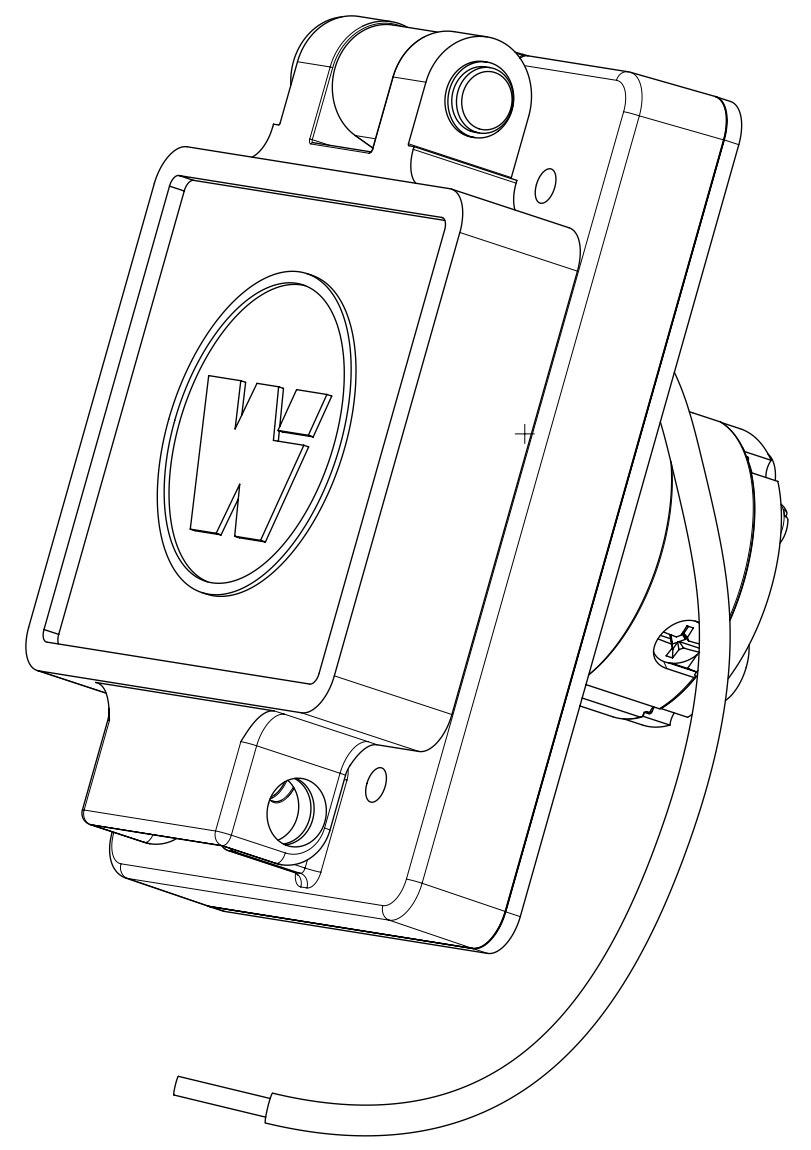


ORDER NO.	WOODHEAD NO.	COLOR
130147-0141	67W47	YELLOW
130147-0142	67W47BLK	BLACK



FACE VIEW



CLEARANCE HOLE
(FOR PANEL MOUNT)

DESCRPITION	MATERIAL	QTY.
BLADES	BRASS, NICKEL PLATED	3
RETAINING SCREWS	STAINLESS STEEL	3
CLAMP AND TERMINAL SCREW ASSY.	BRASS, ZINC PLATED	3
FEMALE INSERT	NYLON	1
TERMINAL COVER	POLYCARBONATE	1
COVER ASSEMBLY	POLYCARBONATE, STAINLESS STEEL, ALUMINUM	1
GASKET FLIP	NEOPRENE	1
SUPPORT PLATE	STAINLESS STEEL	1
SCREW (GROUND WIRE)	STAINLESS STEEL	1
JUMPER WIRE ASSY	COPPER, BRASS (TINNED FINISH)	1

THIS DRAWING CONTAINS INFORMATION THAT IS PROPRIETARY TO MOLEX ELECTRONIC TECHNOLOGIES, LLC AND SHOULD NOT BE USED WITHOUT WRITTEN PERMISSION									
SYMBOLS		DIMENSION UNITS		SCALE		CURRENT REV DESC: MIGRATE TO ECTR/NX			
∇ = 0	INCH	MM	NTS						
∇ = 0	GENERAL TOLERANCES (UNLESS SPECIFIED)								
∇ = 0		MM	INCH						
∇ = 0	4 PLACES	±	±			EC NO: 613663			
∇ = 0	3 PLACES	±	±			DRWN: SRPATIL 2019/01/10			
∇ = 0	2 PLACES	±	±			CHK'D: DNGUYEN62 2019/03/18			
∇ = 0	1 PLACE	±	±			APPR: HKNEELAND 2019/03/30			
∇ = 0	0 PLACES	±	±			INITIAL REVISION:			
∇ = 0	ANGULAR TOL	±	°			DRWN: SRPATIL 2019/01/10			
∇ = 0	DRAFT WHERE APPLICABLE MUST REMAIN WITHIN DIMENSIONS			THIRD ANGLE PROJECTION		DRAWING		SERIES	
						C-SIZE	130147		

molex

WATERTITE FS COVERPLATE 2P3W L5-20

PRODUCT CUSTOMER DRAWING

DOCUMENT NUMBER DOC TYPE DOC PART REVISION

1301470141 PSD 000 A

MATERIAL NUMBER CUSTOMER SHEET NUMBER

SEE TABLE GENERAL MARKET 1 OF 1

DOCUMENT STATUS P1 RELEASE DATE 2019/03/30 22:56:21