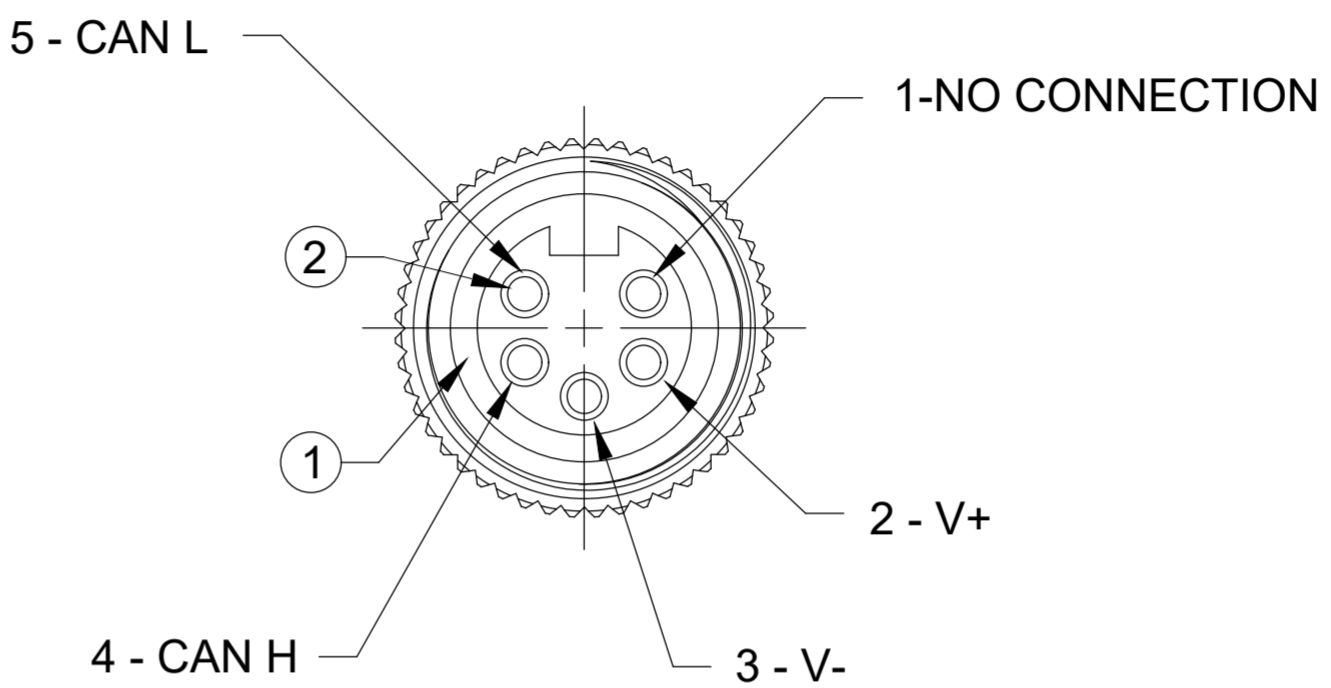
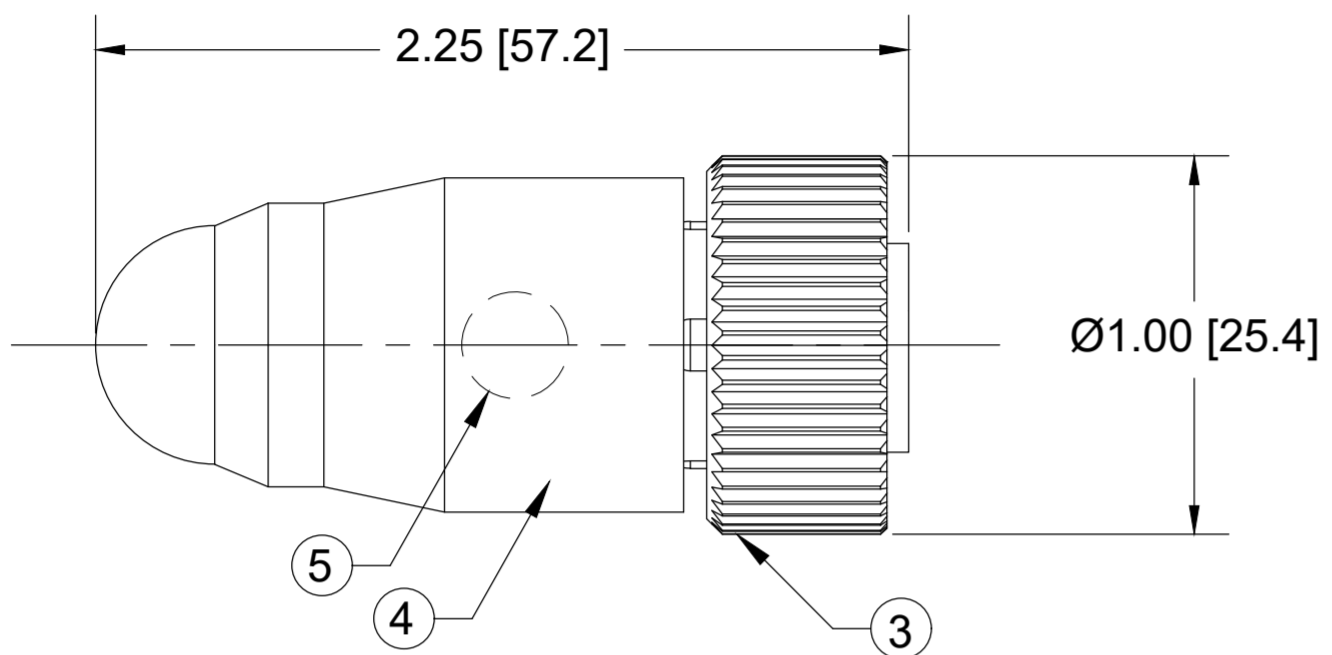
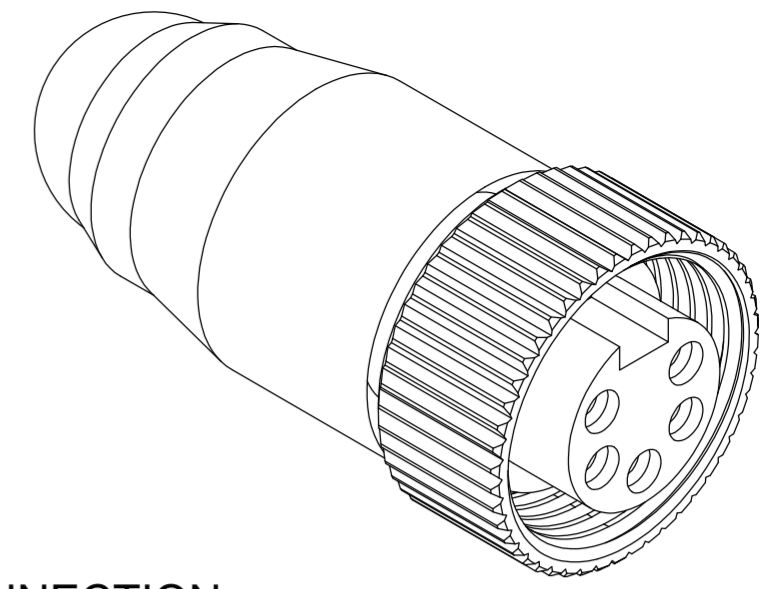
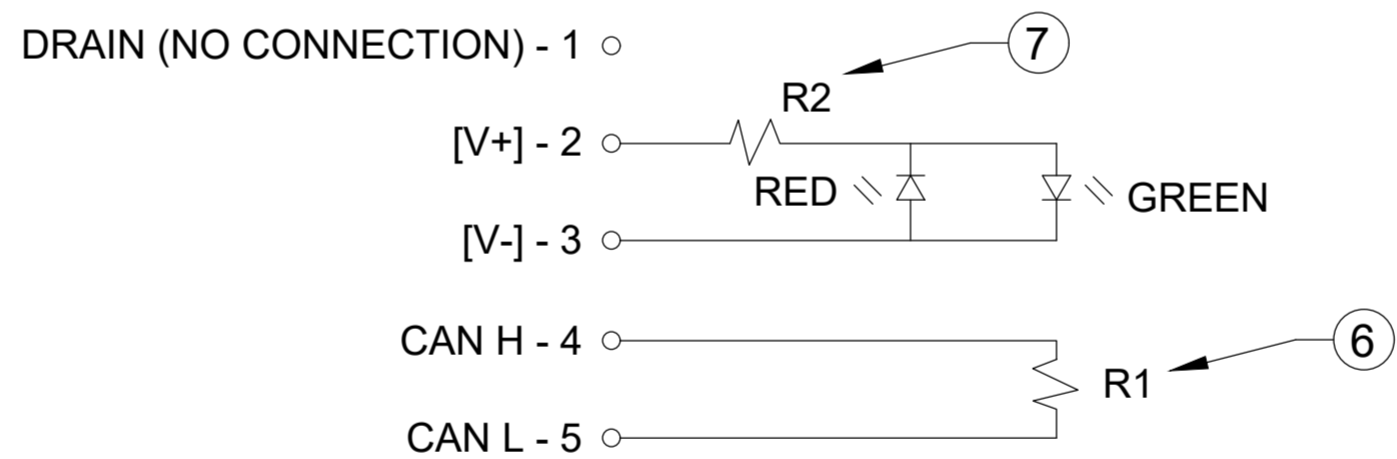


MATERIAL NUMBER	ENGINEERING NUMBER
1300390072	DN150L



NOTES:

- MATERIAL: AS NOTED
- FINISH: AS NOTED
- ELECTRICAL:
VOLTAGE: 50 VAC/VDC
CURRENT: 8 AMPS
- TEMP RATING: 0°C TO +60°C
- PROTECTION: IP67 (WHEN MATED)
- COUPLING THREAD: 7/8"-16UN
- ALL DIMENSIONS ARE FOR REFERENCE UNLESS TOLERANCED OR NOTED OTHERWISE



WIRING SCHEMATIC

ITEM	COMPONENT	MATERIAL	FINISH
1	INSERT	TPE	GRAY
2	CONTACT SOCKET	COPPER ALLOY	GOLD OVER NICKEL
3	COUPLNG NUT	ZINC DIE CAST	BLACK E-COATED
4	OVERMOLD	PUR	CLEAR
5	LED		RED/GREEN
6	RESISTOR(R1)	121 OHM 1/4 WATT	
7	RESISTOR(R2)	1600 OHM 1/2 WATT	

PRE-RELEASE REFERENCE USE ONLY

THIS DRAWING CONTAINS INFORMATION THAT IS PROPRIETARY TO MOLEX ELECTRONIC TECHNOLOGIES, LLC AND SHOULD NOT BE USED WITHOUT WRITTEN PERMISSION											
FUNCTIONAL SYMBOLS	DIMENSION UNITS	SCALE	CURRENT REV DESC: ITEM# 1 & 4 WERE PVC								
	INCH/MM	NTS	<p>molex</p> <p>MINI-CHANGE TERMINATOR, A-SIZE, 5 POLE, FEMALE, STRAIGHT, SINGLE KEY, 22AWG</p> <p>PRODUCT CUSTOMER DRAWING</p>								
GENERAL TOLERANCES (UNLESS SPECIFIED)		EC NO: 643513									
DIVISIONAL SYMBOLS	4 PLACES	±----	±----	APPR: ----		----		INITIAL REVISION:			
	3 PLACES	±----	±0.005	DRWN: LHARTMAN		2009/08/28		DOCUMENT NUMBER			
	2 PLACES	±0.13	±0.01	APPR: JFMURPHY		2009/08/31		SD-130039-015		DOC TYPE/DOC PART/REVISION	
	1 PLACE	±0.25	±0.02	DRAFT WHERE APPLICABLE MUST REMAIN WITHIN DIMENSIONS		THIRD ANGLE PROJECTION		DRAWING C-SIZE		SHEET NUMBER	
0 PLACES	±----	±----	ANGULAR TOL ± 0.5°		SERIES 130039		MATERIAL NUMBER SEE CHART		CUSTOMER GENERAL MARKET		