



**AMP-IN**

TE Internal #: 350566-3

PCB Terminals, PCB Pin, PCB Hole Diameter 1.83 mm [.072 in], 22 – 18 AWG Wire Size, .3 – .9 mm<sup>2</sup> Wire Size, Through Hole - Solder, Tin Plating, Nickel

[View on TE.com >](#)

Terminals & Splices > PCB Terminals



PCB Terminal Type: **PCB Pin**

PCB Thickness (Recommended): **1.57 mm [ .062 in ]**

PCB Hole Diameter: **1.83 mm [ .072 in ]**

Compatible Insulation Diameter Range: **1.52 – 2.79 mm [ .06 – .11 in ]**

Wire Size: **22 – 18 AWG**

**Features**

**Product Type Features**

|  |                    |
|--|--------------------|
| Terminal Features                      | Stud Hole          |
| Wire Insulation Support Retention Type | Insulation Support |

**Contact Features**

|  |                  |
|--|------------------|
| Contact Underplating Material Thickness        | 1.01 μm[40 μin]  |
| Contact Mating Area Plating Material Thickness | 3.04 μm[120 μin] |
| PCB Terminal Type                              | PCB Pin          |
| Terminal Plating Material                      | Tin              |
| Contact Underplating Material                  | Nickel           |
| Terminal Size                                  | Miniature        |
| Terminal Orientation                           | Straight         |

**Termination Features**

|   |                       |
|---|-----------------------|
| Termination Method to Printed Circuit Board | Through Hole - Solder |
| Product Terminates To                       | Printed Circuit Board |

**Mechanical Attachment**



|                         |      |
|-------------------------|------|
| Wire Insulation Support | With |
|-------------------------|------|

### Dimensions

|                                      |                              |
|--------------------------------------|------------------------------|
| Extension Below Board                | 3.43 mm[.135 in]             |
| PCB Thickness (Recommended)          | 1.57 mm[.062 in]             |
| PCB Hole Diameter                    | 1.83 mm[.072 in]             |
| Compatible Insulation Diameter Range | 1.52 – 2.79 mm[.06 – .11 in] |
| Wire Size                            | .3 – .9 mm <sup>2</sup>      |

### Usage Conditions

|                             |                            |
|-----------------------------|----------------------------|
| Insulation Option           | Uninsulated                |
| Operating Temperature Range | -55 – 105 °C[-67 – 221 °F] |

### Packaging Features

|                    |      |
|--------------------|------|
| Packaging Quantity | 7500 |
| Packaging Method   | Reel |

### Other

|                             |                    |
|-----------------------------|--------------------|
| Terminals & Splices Comment | .2 brass material. |
|-----------------------------|--------------------|

## Product Compliance

[For compliance documentation, visit the product page on TE.com>](#)

|   |   |
|---|---|
| EU RoHS Directive 2011/65/EU                  | Compliant   |
| EU ELV Directive 2000/53/EC                   | Compliant   |
| China RoHS 2 Directive MIIT Order No 32, 2016 | No Restricted Materials Above Threshold   |
| EU REACH Regulation (EC) No. 1907/2006        | Current ECHA Candidate List: JUNE 2023 (235)<br>Candidate List Declared Against: JUNE 2023 (235)<br>Does not contain REACH SVHC |
| Halogen Content                               | Low Halogen - Br, Cl, F, I < 900 ppm per homogenous material. Also BFR/CFR/PVC Free   |
| Solder Process Capability                     | Wave solder capable to 265°C  |

#### Product Compliance Disclaimer

This information is provided based on reasonable inquiry of our suppliers and represents our current actual knowledge based on the information they provided. This information is subject to change. The part numbers that TE has identified as EU RoHS compliant have a maximum concentration of 0.1% by weight in homogenous materials for lead, hexavalent chromium, mercury, PBB, PBDE, DBP, BBP, DEHP, DIBP, and 0.01% for cadmium, or qualify for an exemption to these limits as defined in the Annexes of Directive 2011/65/EU (RoHS2). Finished electrical and electronic equipment products



will be CE marked as required by Directive 2011/65/EU. Components may not be CE marked. Additionally, the part numbers that TE has identified as EU ELV compliant have a maximum concentration of 0.1% by weight in homogenous materials for lead, hexavalent chromium, and mercury, and 0.01% for cadmium, or qualify for an exemption to these limits as defined in the Annexes of Directive 2000/53/EC (ELV). Regarding the REACH Regulation, the information TE provides on SVHC in articles for this part number is based on the latest European Chemicals Agency (ECHA) 'Guidance on requirements for substances in articles' posted at this URL: <https://echa.europa.eu/guidance-documents/guidance-on-reach>

## Compatible Parts



TE Part # 2305570-1  
Strip Terminal Cutter-Side Feed-No Crimp



TE Part # 3-42642-3  
AMP-IN TERM IS 22-20 010PTBR



TE Part # 640311-5  
MINI AMP-IN 22-18 AWG POST TIN PLTD



TE Part # 170197-2  
MINI AMP-IN 24-20 AWG



TE Part # 2-2151115-1  
OCEAN\_2.0\_Applicator-S-062F110F



TE Part # 2-2151115-2  
OCEAN\_2.0\_Applicator-S-062F110F



TE Part # 2151115-1  
OCEAN\_2.0\_Applicator-S-062F110F



TE Part # 2151115-2  
OCEAN\_2.0\_Applicator-S-062F110F



TE Part # 7-2151115-1  
OCEAN\_2.0\_Applicator-S-062F110F



TE Part # 7-2151115-2  
OCEAN\_2.0\_Applicator-S-062F110F



TE Part # 7-2151115-7  
OCEAN\_2.0\_SPARE\_PART\_KIT-062F110F



TE Part # 170197-1  
MINI AMP-IN 24-20 AWG

## Customers Also Bought



TE Part #925075-7  
4W CIRCULAR MATE-N-LOK PIN HSG NAT



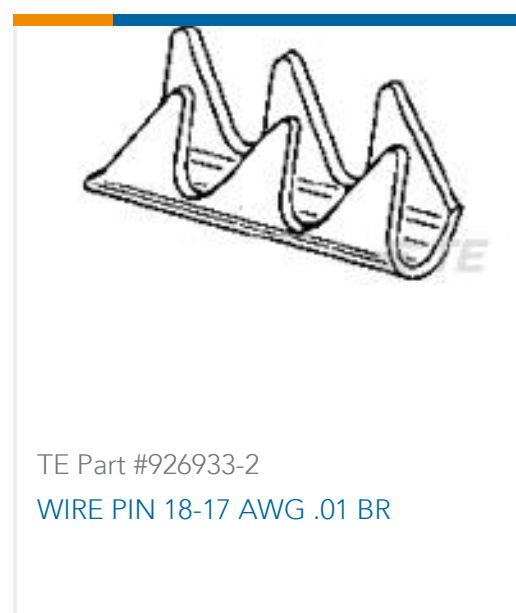
TE Part #881772-1  
KIT ECONOSEAL J SERIES 2P



TE Part #964304-1  
TIMER, RECEPTACLE AND TAB



TE Part #1241404-3  
AMP MCP 6.3/4.8K, CONTACT



## Documents

### Product Drawings

#### MINI AMP-IN 22-18 PTPBR

English

### CAD Files

#### 3D PDF

3D

#### Customer View Model

[ENG\\_CVM\\_CVM\\_350566-3\\_AT.2d\\_dxf.zip](#)

English

#### Customer View Model

[ENG\\_CVM\\_CVM\\_350566-3\\_AT.3d\\_igs.zip](#)

English

#### Customer View Model

[ENG\\_CVM\\_CVM\\_350566-3\\_AT.3d\\_stp.zip](#)

English

By downloading the CAD file I accept and agree to the [Terms and Conditions](#) of use.

### Product Specifications

#### Application Specification

English

### Product Environmental Compliance

[MD\\_350566-3\\_122020152356\\_dmtec](#)

English

[MD\\_350566-3\\_122020152356\\_dmtec](#)

English



## TE Material Declaration

English