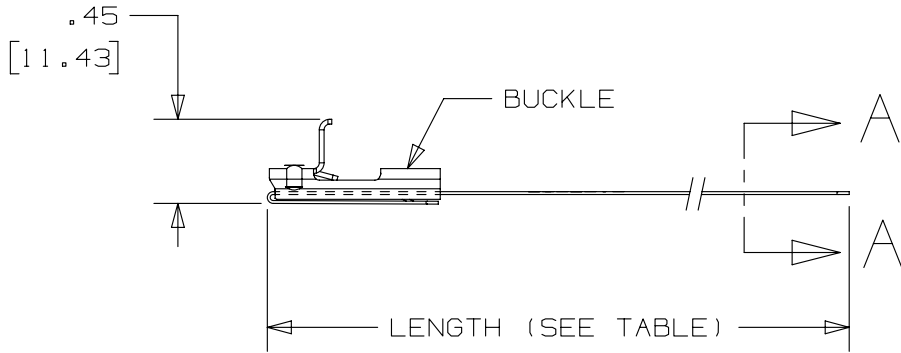
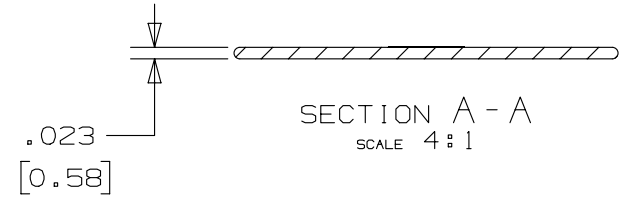
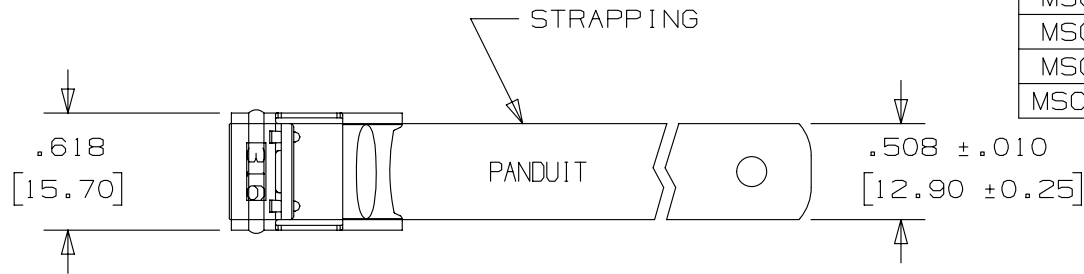


THIS COPY IS PROVIDED ON A RESTRICTED BASIS AND IS NOT TO BE USED IN ANY WAY DETRIMENTAL TO THE INTERESTS OF PANDUIT CORP.

PART NUMBER	MAX BUNDLE DIAMETER [ mm ]	LENGTH +/- .1 [ 2 ]
MSC4W50T15-L6	4" [ 102 ]	18.0" [ 457 ]
MSC6W50T15-L6	6" [ 152 ]	24.4" [ 620 ]
MSC8W50T15-L6	8" [ 203 ]	30.7" [ 780 ]
MSC10W50T15-L6	10" [ 254 ]	37.0" [ 940 ]



NOTES:

1. APPLICATION TOOLS: BT2MS75, BT2HT
2. ALL DIMENSIONS IN BRACKETS [ ] ARE MILLIMETERS.
3. BASE MATERIAL: 316 STAINLESS STEEL.
4. 100% COATED WITH BLACK NYLON OR POLYESTER.
5. COATING THICKNESS: .003/.005 [ .076/.127 ] PER SIDE.
6. TOLERANCES (UNLESS OTHERWISE SPECIFIED):  
 $\phi .X \pm .03 [ .8 ]$   
 $.XX \pm .02 [ .5 ]$   
 $.XXX \pm .007 [ .18 ]$

REV	DATE	BY	CHK	APR	DESCRIPTION	ECN
01A	4/13	JAMB	MIM	RGRO	UPDATE DRAWING TO NEW GLOBAL PANDUIT TITLE BLOCK WITH PANDUIT LOGO	SSECN01047
00A	10/08	JAMB	SKB	---	ORIG REV WAS 00, ORIG CAD FILE SPEC WAS S41168_00. NOTE APPLICATION TOOL BT1HT REPLACED BY BT2HT	----
00	10/03	BRH	EJD	JJB	DRAWING RELEASED	11159

TITLE <b>COATED METAL STRAPPING .500" [12.7] WIDE</b>			
CUSTOMER DRAWING			
ITEM REVISION NAME <b>N41168BS/01</b>		<b>PANDUIT</b>	
DATASET FILE NAME <b>N41168BS_DC/01A</b>			
UNLESS OTHERWISE SPECIFIED, DIMENSIONAL TOLERANCES ARE: IN [ mm ]		MATERIAL: <b>SEE NOTES</b>	
.x ± .1 [ 2.54 ]      .xxx ± .005 [ .127 ]		DRAWING NUMBER: <b>N41168BS_DC</b>	
.xx ± .01 [ .25 ]      ANGLES ± 5 °		THIRD ANGLE PROJECTION	
DRAWN BY <b>BRH</b>	DATE <b>10/03</b>	CHK <b>EJD</b>	SCALE <b>1:1</b>
SHT 1 OF 1		SIZE <b>A</b>	