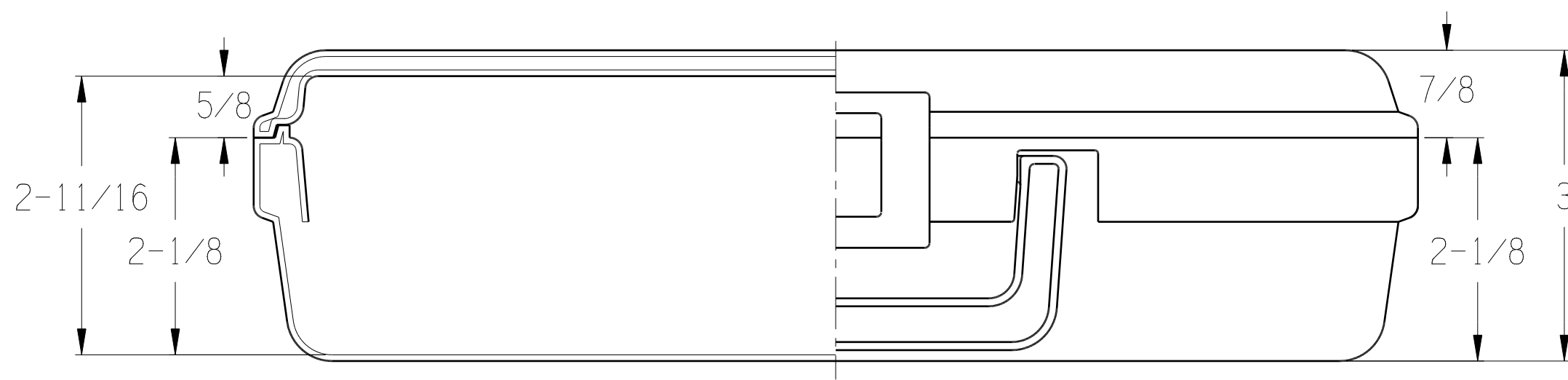
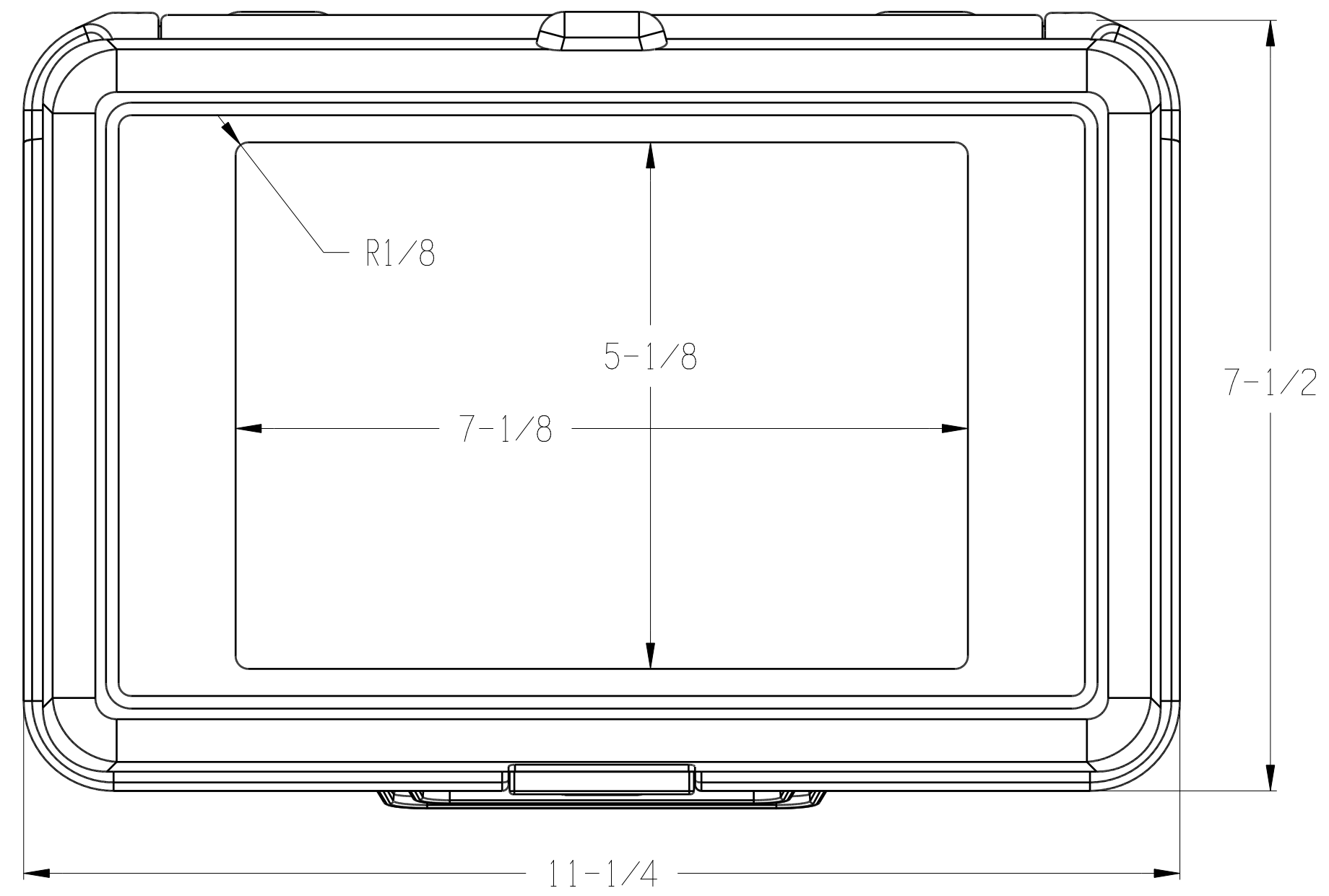



REV		DATE	APPROVED
-----	--	------	----------



NOTE:
SECTIONS ARE REPRESENTATIVE OF
NOMINAL DIMENSIONS AND SHOULD
NOT BE USED FOR DESIGN PURPOSES.

THIS DOCUMENT IS THE PROPERTY OF THE PLASTIC FORMING CO., INC.
AND THE INFORMATION CONTAINED HEREIN IS CONSIDERED CONFIDENTIAL.
THIS DOCUMENT IS NOT TO BE USED, REPRODUCED, OR DISCLOSED IN WHOLE
OR IN PART WITHOUT THE WRITTEN PERMISSION OF THE PLASTIC FORMING CO., INC.

TOLERANCES U.O.S.		SYM	DESCRIPTION	MATL	REQ
FRACTIONS: ±1/16			 THE PLASTIC FORMING CO. 20 SO. BRADLEY RD. WOODBRIDGE, CONN. 06525 Copyright © Rights Reserved		
X: ±.025					
XX: ±.020					
XXX: ±.015					
TITLE:		11-1/4 X 7-1/2 X 3"			
DRAWN: AGA		Chd: PMP	SCALE: Full	Size: C	DATE: 06/20/2017
REV:		REV:			
Dwg. No.:		PRI. No.:		113-075-030-514	
				SHEET: 1 of 1	