

PART NUMBER	REV	FIRST USED
1852152-1	B	122500-1
1852152-2	B	565435-5
1852152-3	B	354500-1
1852152-6	B	-
7-1852152-7	B	-

-1	LEADMAKER	AIRFEED
-2	BENCH MODEL K	AIRFEED
-3	BENCH MODEL G	AIRFEED
-4	LEADMAKER	AIRFEED
-77	SPARE PART KIT	

LOC	DIST	REV	DATE	BY	APPV
A	66	B1	7-2007	MY	GB

- 1 RECOMMENDED SPARE PARTS.
- 2 GREASE LIGHTLY.
- 3 GUARD MUST BE IN PLACE WHEN OPERATING APPLICATOR IN A BENCH MACHINE.
- 4 SEE DRAWING FOR COMPONENTS
- 5 THIS APPLICATOR APPLIES TERMINAL WITH A SEAL.
- 6 APPLY TORQ-SEAL IN ALLEN SOCKET TO FILL HOLE AFTER FLAT HD HAS BEEN ADJUSTED TO CORRECT HEIGHT AT QUALIFICATION. APPLY PN 1-23419-5 LOC-TITE TO THREADS.

TERMINAL NAME: TAXI TERM M M/P 630 SLD									
AMP TERM PN	MFR TERM PN	PACKARD TERMINAL				PACKARD CRIMP SPECS			
1572844	12064735	PAD LTR	CRIMP HEIGHT			WIRE SIZE			
		A	.065 ±.002 [1.65 ±.05mm]			14 AWG			
		B	.057 ±.002 [1.45 ±.05mm]			16 AWG			
		C	NOT			USED			
		D	NOT			USED			
AMP SEAL PN	MFR SEAL PN	CRIMP	SIZE	TYPE	RANGE				
1572813	12052388	WIRE	.116 [2.95mm]	F	14-16 AWG				
		INSUL	.244 [6.20mm]	0	.079-.141				
WIRE STRIP LENGTH	TERM APPL SPEC	FEED	APPL INSTRUCTION		SET UP GAGE	LAYOUT			
.200-.230	NONE	.800	408-8040		458637-1	L1852152			

QTY REQD PER ASSY	PARTS LIST	ITEM NO						
-		129						
-		128						
-	2-354779-3	PIN, WIRE DISC (.3105)B	127					
-	2-354779-8	PIN, WIRE DISC (.3030)A	126					
-	1-986950-1	WASHER, FLAT PRECISION	125					
-	1-217238-1	GENERAL INSTRUCTION PACKAGE	124					
-	1-4088040	SF APPL INST 408-8040	123					
			122					
			121					
			120					
			119					
			118					
-	3-21024-5	WASHER, LOCK(#10)ADJ BLOCK	117					
			116					
			115					
-	2-21024-2	WASHER,LOCK(#4)FRONT STP GUIDE	114					
			113					
			112					
-	4-21024-4	WASHER,LOCK(#8)STRIPPER	111					
			110					
			109					
-	1-21018-5	NUT,HEX(NO.6)HOLDDOWN	108					
			107					
			106					
-	1-22353-8	SCR,SHLD(Ø.187x.25)DRAG LEVER	105					
			104					
-	1-21009-2	SCR,SKT SET(1/4-20x.25 LW)RAM	103					
-	2-21017-2	SCR,DRIVE(#2x.19)ID PLATE	102					
			101					
-	1-461264-1	PLATE, IDENTIFICATION	100					
-	2-5-21006-6	SCR,SET(10-32x.75)DRAG	99					
-	1-22733-8	SCR,BHC(8-32x.38 LW)ANVIL	98					
-	4-2-21002-9	SCR,BHC(10-32x.75)CAP	97					
-	3-2-22733-8	SCR,BHC(1/4-20x.62)HSG	96					
-	1-2-21002-7	SCR,BHC(10-32x.50)SG ADJ BLK	95					
-	4-2-21002-2	SCR,BHC(8-32x.50)TERM H DWN	94					
-	2-2-21002-2	SCR,BHC(8-32x.5)R STP GDE	93					
-	1-2-21003-1	SCR,FHC(6-32x.63)DEP	92					
			91					
-	1-461690-1	SPACER, AIR FEED	90					
			89					
-	2-1-21000-8	SCR,SHC(6-32x.25)DEP-HOLD	88					
-	2-3-21000-2	SCR,SHC(8-32x1.125)DEP-HOLD	87					
-	1-2-22603-1	SCR,HEX HD(8-32x.38)FEED FINGER	86					
-	2-1-21000-5	SCR,SHC(4-40x.50)FR ST GUIDE	85					
-	1-2-21000-7	SCR,SHC(8-32x.50)STRIPPER	84					
			83					
			82					
-	1-3-21000-4	SCR,SHC(10-32x.38)SG ADJ BL	81					
			80					
-	-	462992-7	GUARD ASSY	79				
-	-	REF	679532-1	INSERT, GUARD	78			
				77				
				76				
				75				
-	1-690603-1	SPRING, ASSIST	74					
-	1-23030-1	SCR,SHC(6-32x.25 SL)INS DISC	73					
-	1-3-21001-5	SCR,SHC(3/8-16x1.00)AIR FEED	72					
-	1-459610-3	MOUNT, FEED BRACKET	71					
-77	-6	-3	-2	-1	U/M	PART NO	DESCRIPTION	ITEM NO

QTY REQD PER ASSY	PARTS LIST	ITEM NO						
-		70						
-		69						
		68						
-		67						
-		66						
-		65						
-		64						
		63						
		62						
		61						
-		60						
-		59						
-		58						
		57						
-		56						
		55						
		54						
-		53						
		52						
-		51						
-		50						
		49						
		48						
		47						
		46						
-		45						
-		44						
-		43						
-		42						
-		41						
-		40						
-		39						
-		38						
-		37						
-		36						
-		35						
		34						
-		33						
-		32						
		31						
-		30						
-		29						
-		28						
-		27						
-		26						
-		25						
		24						
-		23						
-		22						
-		21						
		20						
-		19						
-		18						
-		17						
-		16						
-		15						
-		14						
-		13						
-		12						
-		11						
-		10						
-		9						
-		8						
-		7						
-		6						
-		5						
-		4						
-		3						
-		2						
-		1						
-77	-6	-3	-2	-1	U/M	PART NO	DESCRIPTION	ITEM NO

THIS DRAWING IS A CONTROLLED DOCUMENT.

DMN: C. REICHELDERFER
 CHK: T. ELBIN

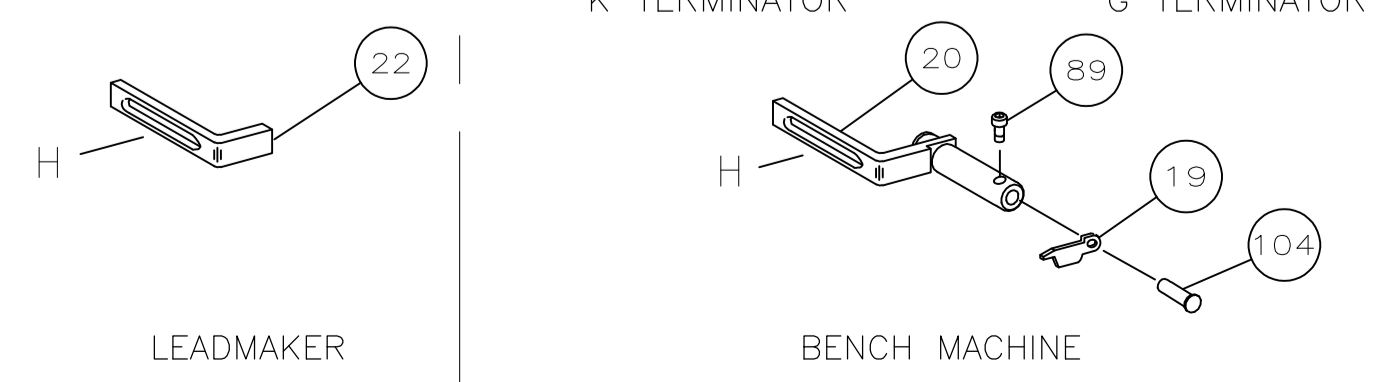
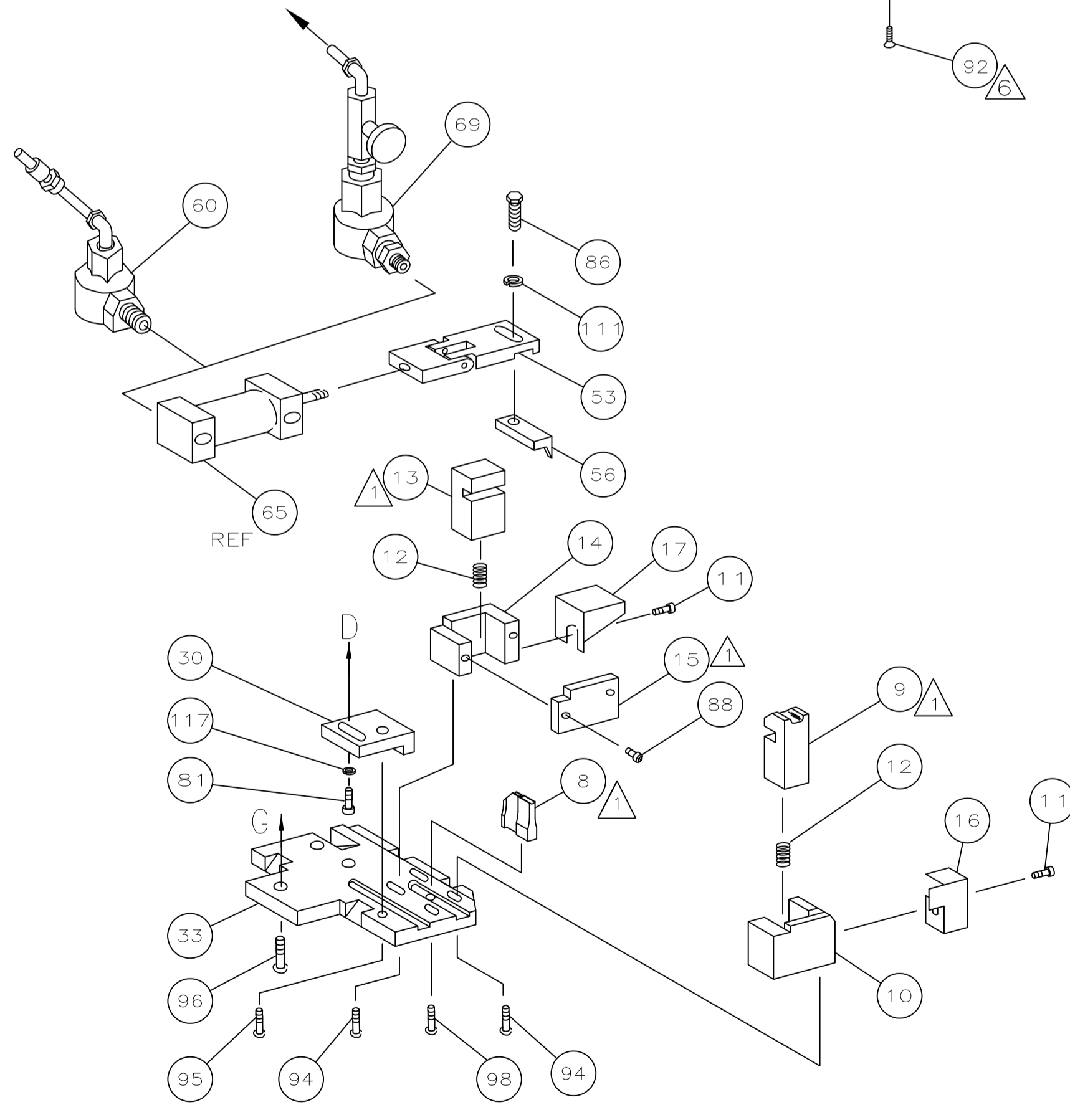
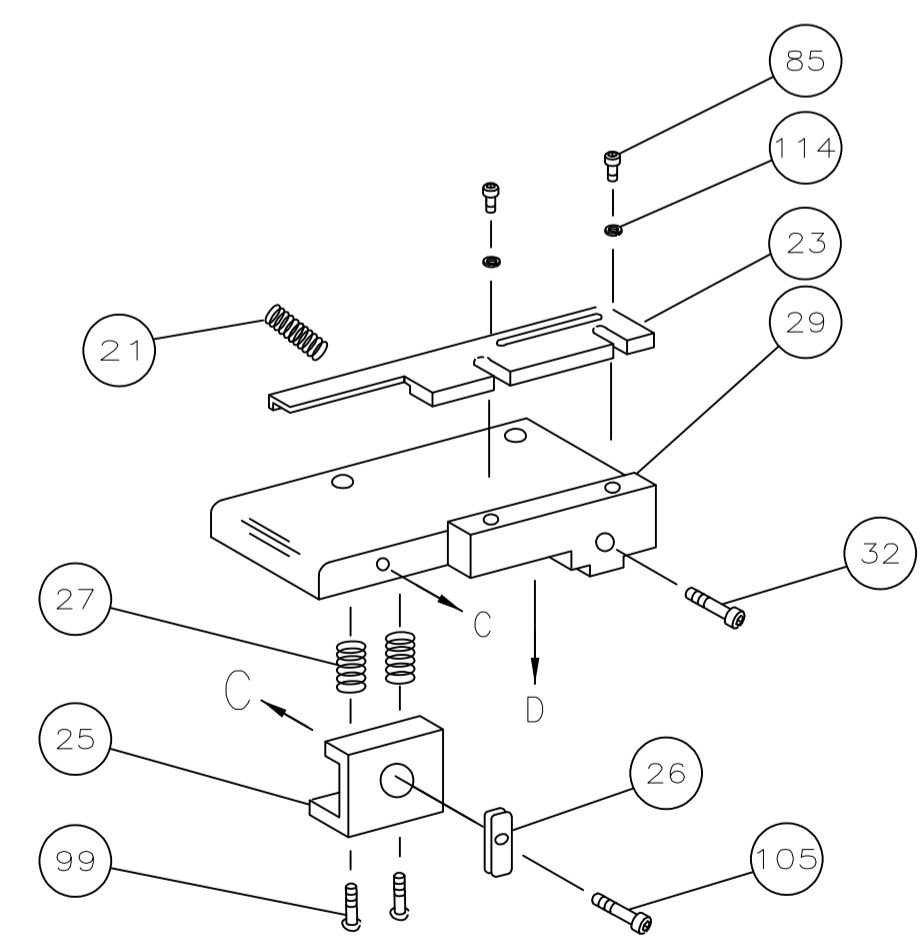
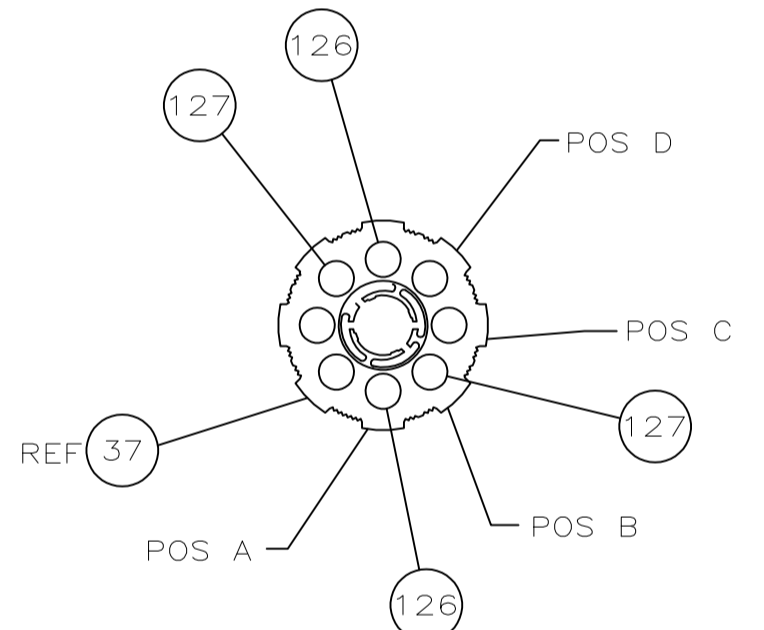
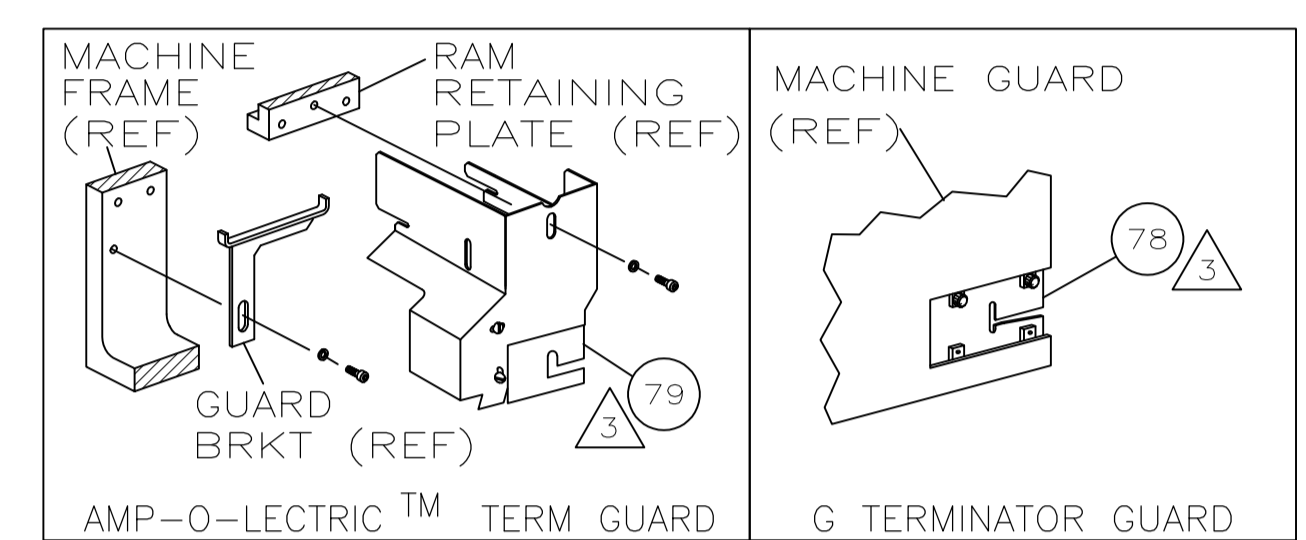
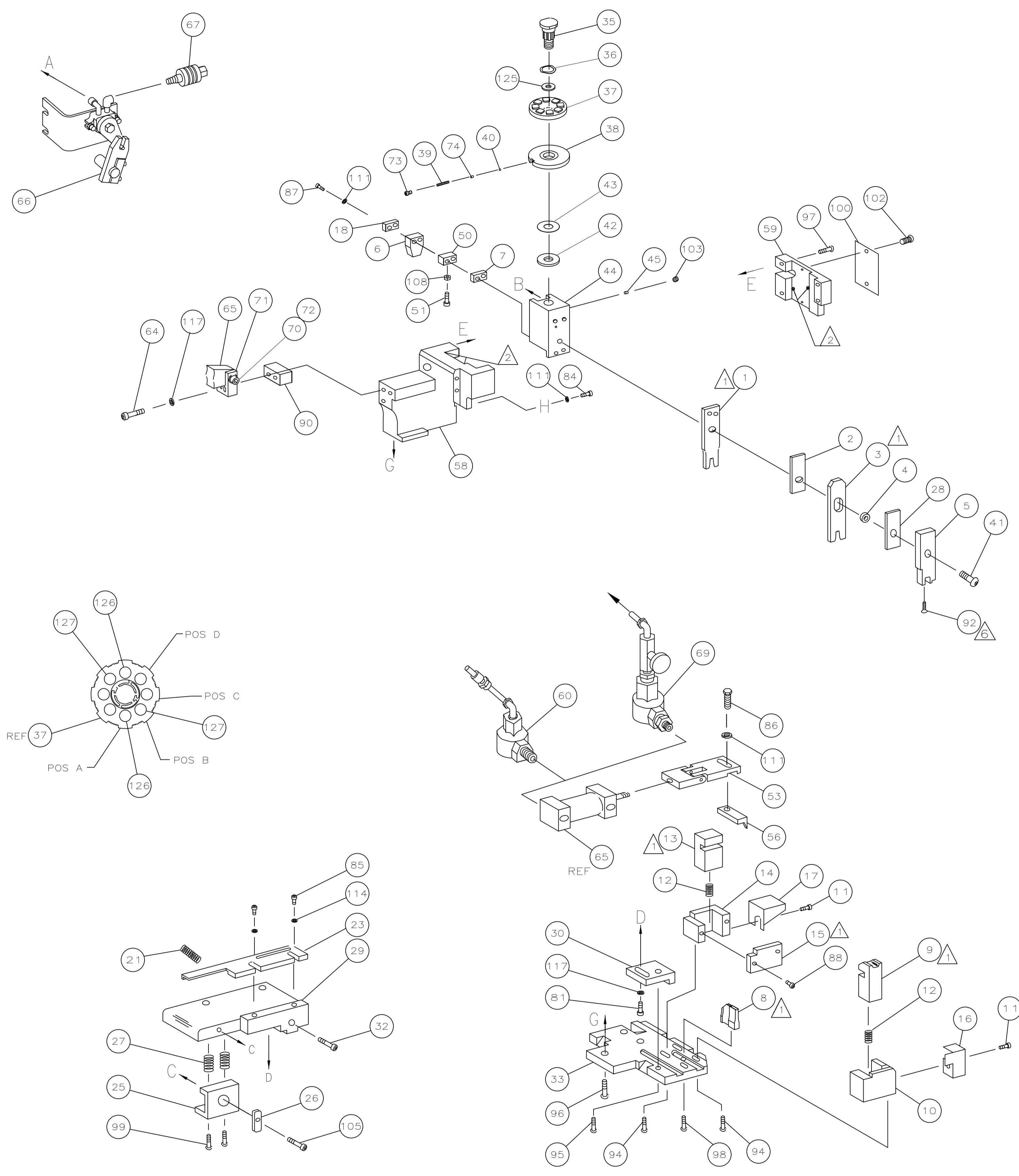
TYCO ELECTRONICS
 Tyco Electronics Corporation
 Harrisburg, PA 17105-3608

PRODUCT SPEC: SIDE FEED HDM APPLICATOR

APPLICATION SPEC: -

SIZE: A1
 CAGE CODE: 00779
 DRAWING NO: 1852152

CUSTOMER DRAWING
 SCALE: -
 SHEET: 1 OF 2
 REV: B1



THIS DRAWING IS A CONTROLLED DOCUMENT.		DNW C. REICHELDERFER	OBMAR06	Tyco Electronics Corporation Harrisburg, PA 17105-3608
DIMENSIONS: INCHES	TOLERANCES UNLESS OTHERWISE SPECIFIED:	APVD T. ELBIN	OBMAR06	NAME SIDE FEED HDM APPLICATOR
	0. PLC ± .005	PRODUCT SPEC		
	1. PLC ± .005	APPLICATION SPEC		
MATERIAL	FINISH	SIZE A1	CAGE CODE 00779	DRAWING NO. 1852152
CUSTOMER DRAWING		SCALE	SHEET 2 OF 2	REV B1