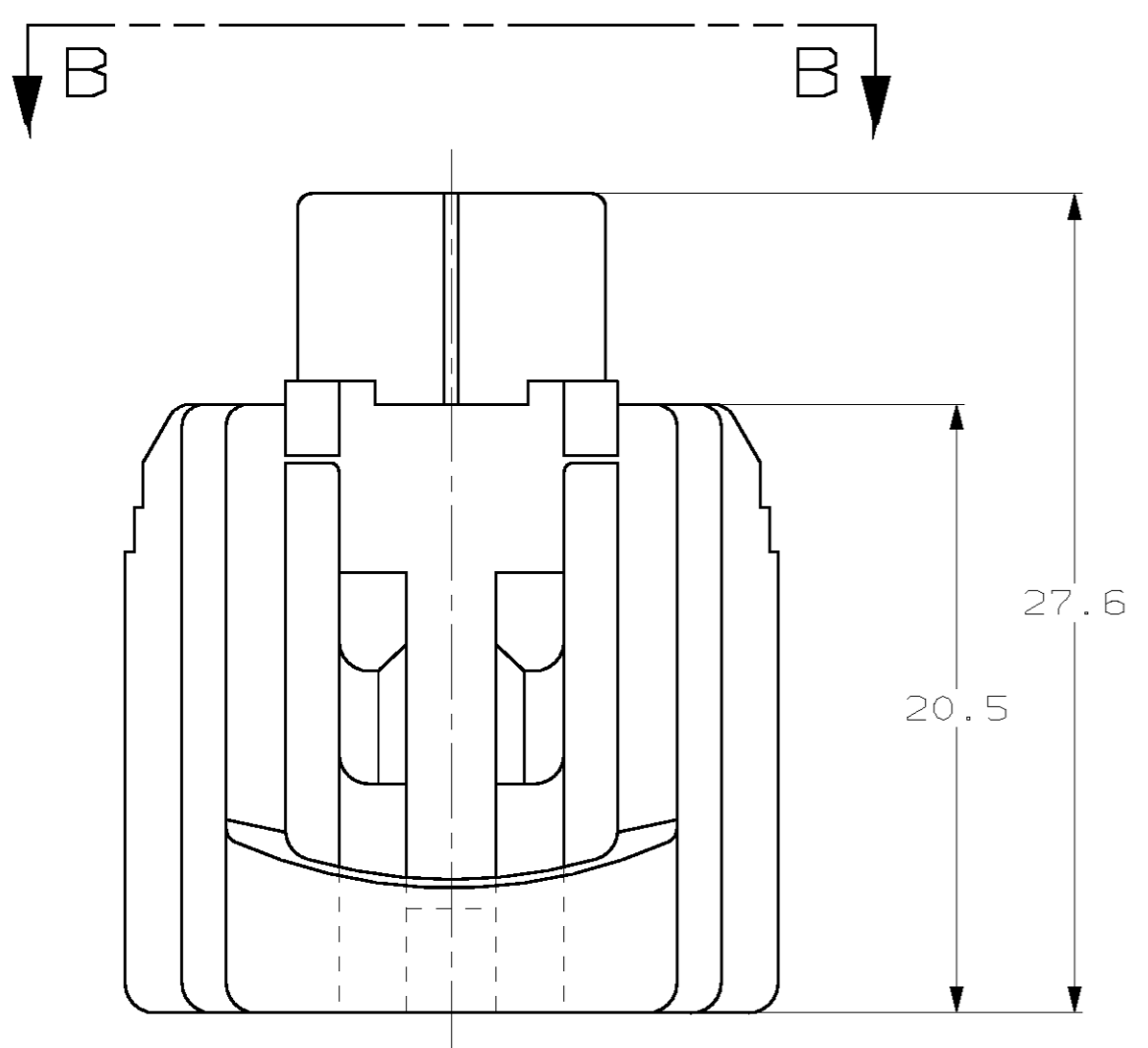
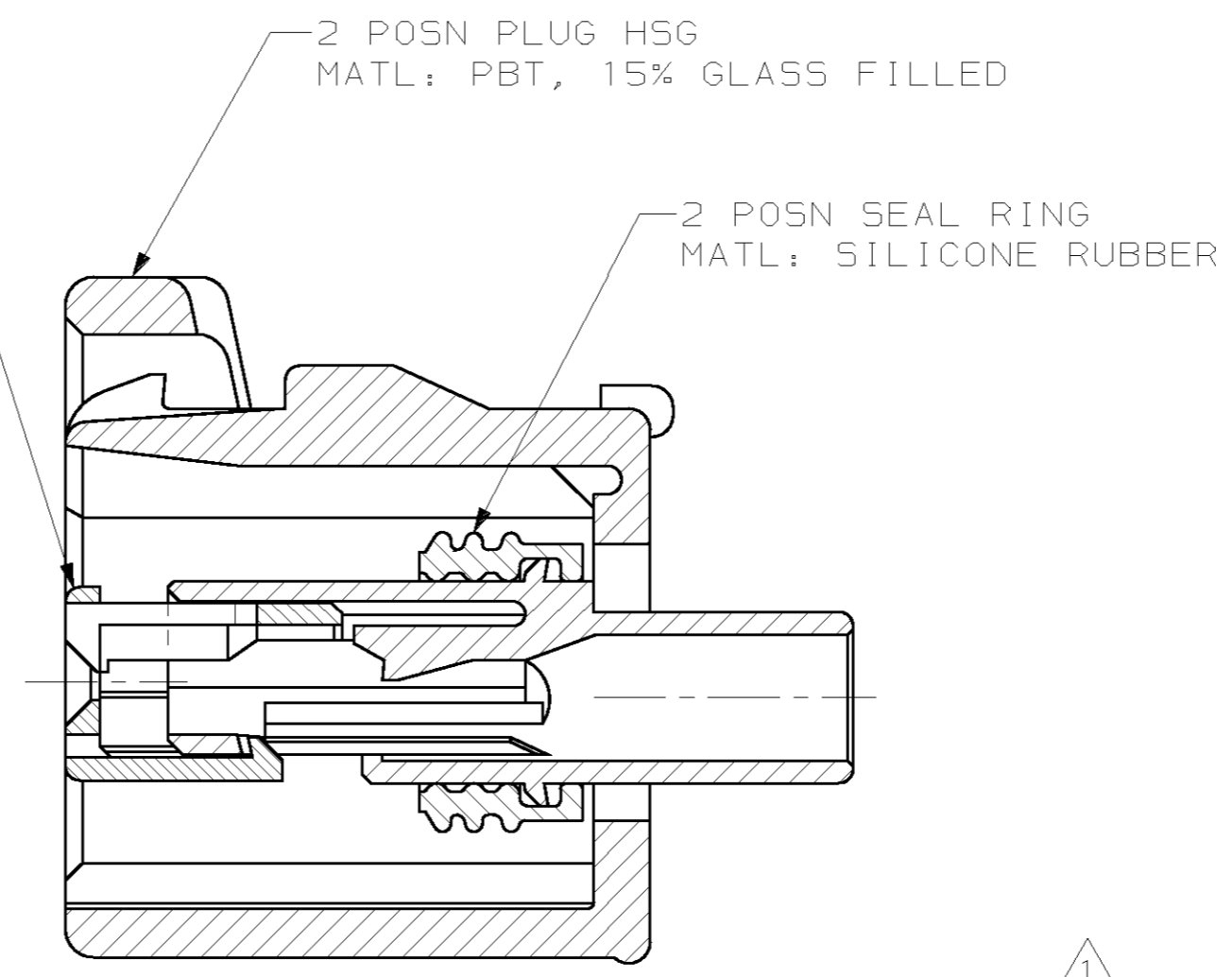
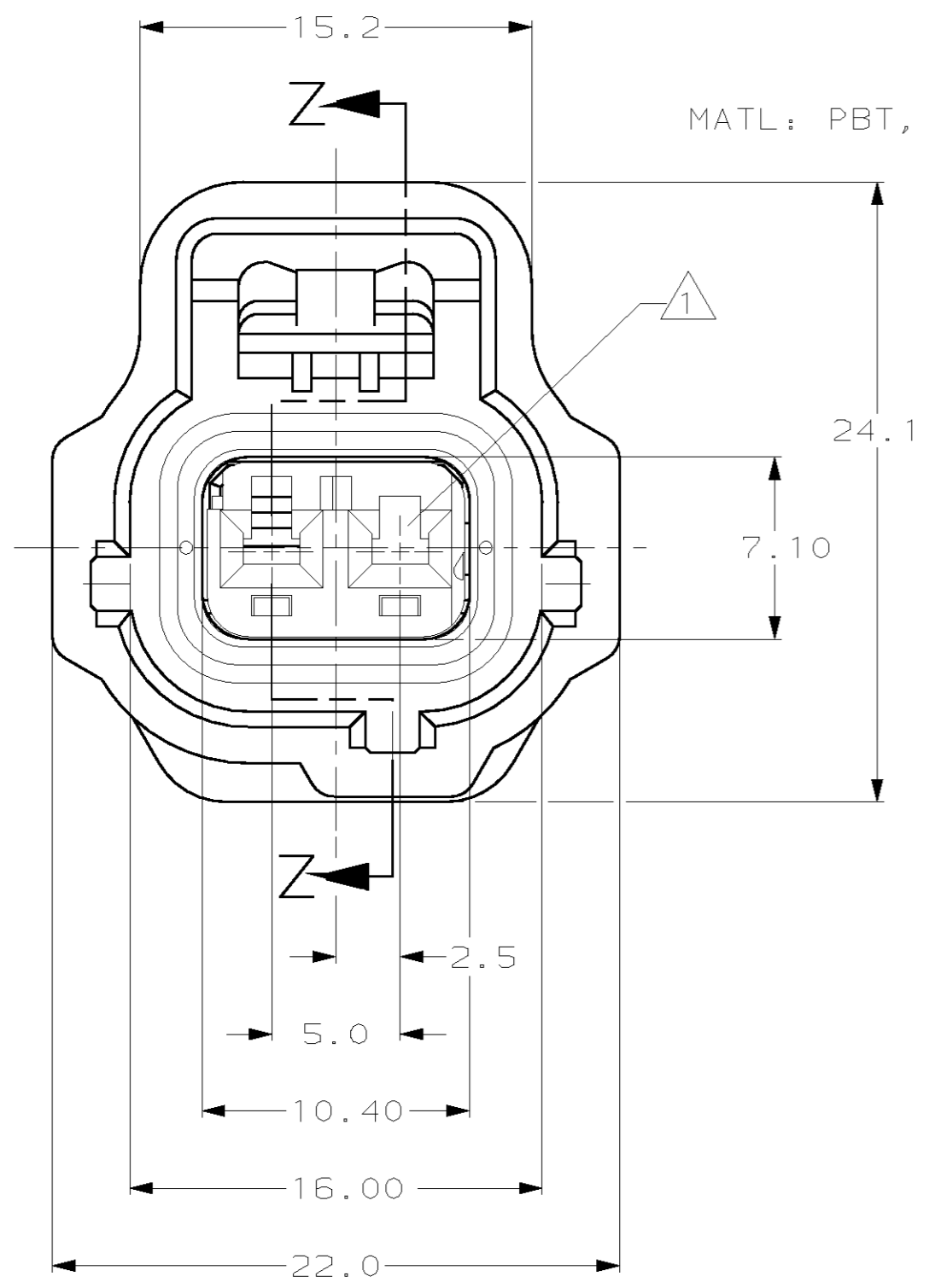


THIS DRAWING IS UNPUBLISHED. RELEASED FOR PUBLICATION .19
 © COPYRIGHT 19 BY AMP INCORPORATED. ALL RIGHTS RESERVED.

LOC		DIST		REVISIONS			
P	LTR	DESCRIPTION	DATE	DWN	APVD		
G	16	0	RELEASED	05/25/95	KW	JK	
		A	REV PER ECN 0K50-0003-96	08/14/96	KW	JK	
		B	REV PER ECN 0K20-0037-97	11/05/97	KL	JK	
		C	REV PER EC# 0K40-0140-00	7-11-00	PC	GI	

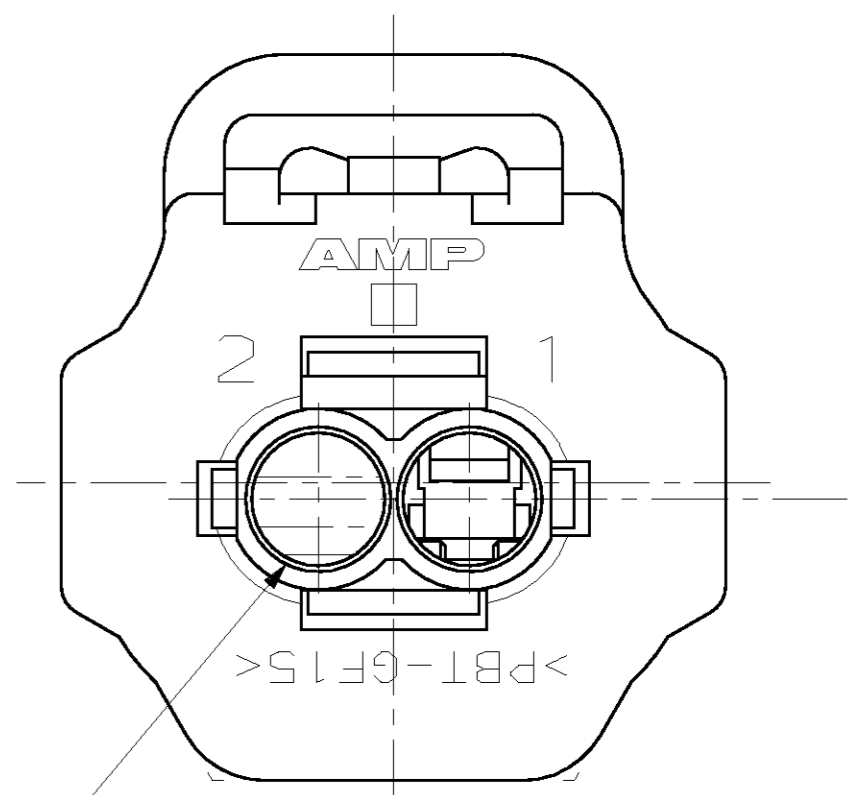


NOTES:
 ① CIRCUIT #2 IS BLOCKED.



SECTION Z-Z
 SCALE 4:1

① BLOCKED CIRCUIT



VIEW B-B

BLACK	184116-2
BROWN	184116-1
COLOR	PART NO

<small>THIS DRAWING IS A CONTROLLED DOCUMENT FOR AMP INCORPORATED. IT IS SUBJECT TO CHANGE AND THE CONTROLLING ENGINEERING ORGANIZATION SHOULD BE CONTACTED FOR THE LATEST REVISION.</small>		DWN	K. WISE	05/25/95	AMP Incorporated Harrisburg, PA 17105-3608
DIMENSIONS: mm		CHK	J. KUNKLE	06/05/95	
		APVD	J. KUNKLE	06/05/95	
TOLERANCES UNLESS OTHERWISE SPECIFIED: 0 PLC ±- 1 PLC ±0.3 2 PLC ±0.15 3 PLC ±- 4 PLC ±- ANGLES ±- FINISH ±-		PRODUCT SPEC	NAME		
MATERIAL		APPLICATION SPEC		1 X 2B PLG ASY KEY H-C3	
		WEIGHT		SIZE	A2
		CUSTOMER DRAWING		CAGE CODE	00779
				DRAWING NO	C-184116
				SCALE	4:1
				SHEET	1 OF 1
				REV	C

184116