

99dB Stereo DAC

DESCRIPTION

WM8725 is a high-performance stereo DAC designed for use in portable audio equipment, video CD players and similar applications. It comprises selectable normal or I²S compatible serial data interfaces for 16 to 24-bit digital inputs, high performance digital filters, and sigma-delta output DACs, achieving an excellent 99dB signal-to-noise performance.

The device is available in a 14-lead SOIC package that offers selectable mute and de-emphasis functions using a minimum of external components.

FEATURES

- 99dB SNR performance
- Stereo DAC with input sampling from 8kHz to 96kHz
- Additional mute feature
- Normal or I²S compatible data format
- Sigma-delta design with 64x oversampling
- System clock 256fs or 384fs
- Supply range 3V to 5V
- 14-lead SOIC package

APPLICATIONS

- Portable audio equipment
- Video CD players

BLOCK DIAGRAM

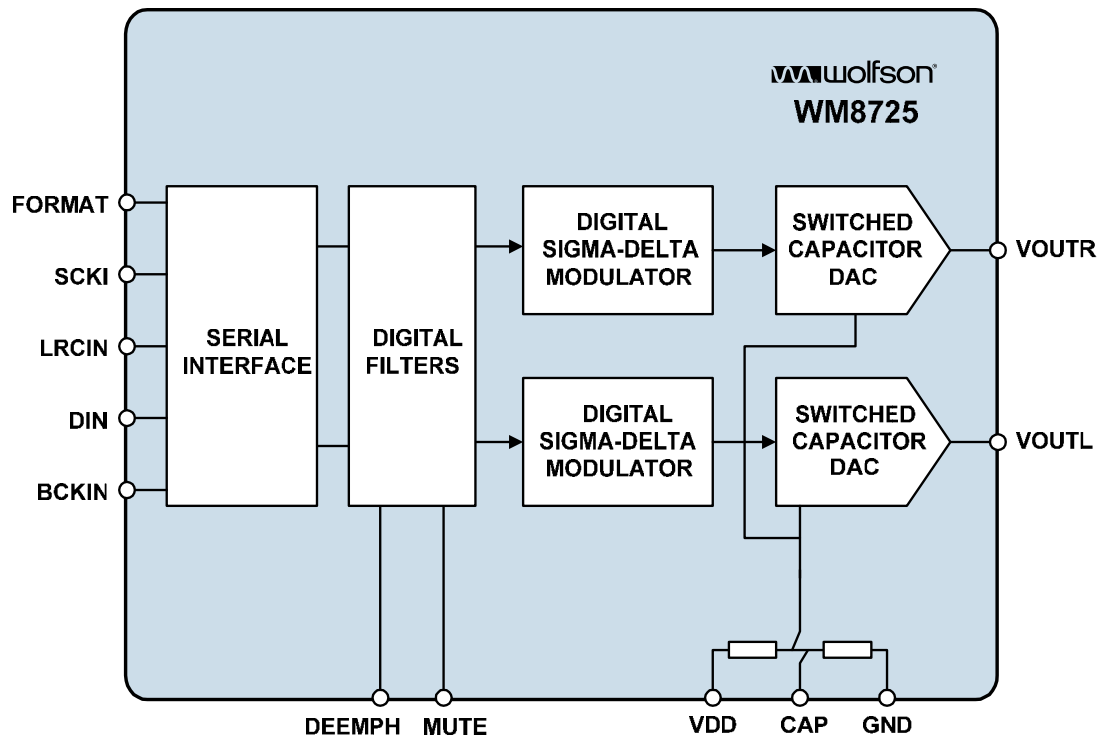
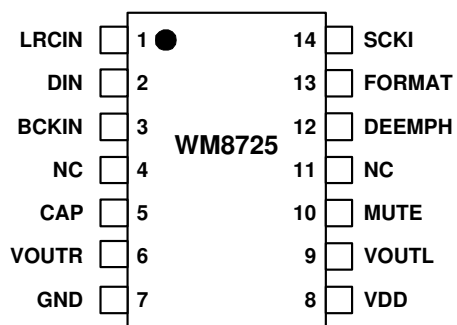


TABLE OF CONTENTS

| | |
|--|-----------|
| DESCRIPTION | 1 |
| FEATURES | 1 |
| APPLICATIONS | 1 |
| BLOCK DIAGRAM | 1 |
| TABLE OF CONTENTS | 2 |
| PIN CONFIGURATION | 3 |
| ORDERING INFORMATION | 3 |
| ABSOLUTE MAXIMUM RATINGS | 4 |
| RECOMMENDED OPERATING CONDITIONS | 4 |
| ELECTRICAL CHARACTERISTICS | 5 |
| PIN DESCRIPTION | 6 |
| INTERNAL POWER ON RESET | 6 |
| DEVICE DESCRIPTION | 8 |
| INTRODUCTION | 8 |
| DAC CIRCUITS | 8 |
| SERIAL DATA INTERFACE | 9 |
| SYSTEM CLOCK..... | 10 |
| RECOMMENDED EXTERNAL COMPONENTS | 11 |
| DETAIL OF RECOMMENDED EXTERNAL COMPONENTS SHOWING THE EXTERNAL LOW PASS FILTER..... | 11 |
| PCB LAYOUT | 11 |
| PACKAGE DIMENSIONS | 12 |
| ADDRESS: | 13 |
| REVISION HISTORY | 14 |

PIN CONFIGURATION



ORDERING INFORMATION

| DEVICE | TEMPERATURE RANGE | PACKAGE | MOISTURE SENSITIVITY LEVEL | PEAK BODY TEMPERATURE |
|--------------|-------------------|---------------------------------------|----------------------------|-----------------------|
| WM8725CGED | -40°C to +85°C | 14-lead SOIC (lead free) | MSL1 | 260°C |
| WM8725CGED/R | -40°C to +85°C | 14-lead SOIC (Pb-free, tape and reel) | MSL1 | 260°C |

Note:

Reel quantity: 3,000

ABSOLUTE MAXIMUM RATINGS

Absolute Maximum Ratings are stress ratings only. Permanent damage to the device may be caused by continuously operating at or beyond these limits. Device functional operating limits and guaranteed performance specifications are given under Electrical Characteristics at the test conditions specified.



ESD Sensitive Device. This device is manufactured on a CMOS process. It is therefore generically susceptible to damage from excessive static voltages. Proper ESD precautions must be taken during handling and storage of this device.

Wolfson tests its package types according to IPC/JEDEC J-STD-020B for Moisture Sensitivity to determine acceptable storage conditions prior to surface mount assembly. These levels are:

MSL1 = unlimited floor life at <30°C / 85% Relative Humidity. Not normally stored in moisture barrier bag.

MSL2 = out of bag storage for 1 year at <30°C / 60% Relative Humidity. Supplied in moisture barrier bag.

MSL3 = out of bag storage for 168 hours at <30°C / 60% Relative Humidity. Supplied in moisture barrier bag.

The Moisture Sensitivity Level for each package type is specified in Ordering Information.

| CONDITION | MIN | MAX |
|---|-------|----------|
| Supply voltage | -0.3V | +7.0V |
| Reference input | | VCC+0.3V |
| Operating temperature range, T _A | -40°C | +85°C |
| Storage temperature | -65°C | +150°C |
| Lead temperature (soldering, 10 seconds) | | +240°C |
| Lead temperature (soldering, 2 minutes) | | +183°C |

RECOMMENDED OPERATING CONDITIONS

| PARAMETER | SYMBOL | TEST CONDITIONS | MIN | TYP | MAX | UNIT |
|----------------|--------|-----------------|------|------------|------|------|
| Supply Range | VDD | | -10% | 3.0 to 5.0 | +10% | V |
| Ground | GND | | | 0 | | V |
| Supply Current | | VDD = 5V | | 15 | 25 | mA |
| | | VDD = 3V | | 7.5 | | mA |

ELECTRICAL CHARACTERISTICS

Test Conditions

$V_{DD} = 5V$, $GND = 0V$, $T_A = +25^{\circ}C$, $f_s = 48kHz$, $SCKI = 256fs$ unless otherwise stated.

| PARAMETER | SYMBOL | TEST CONDITIONS | MIN | TYP | MAX | UNIT |
|---|-------------|--------------------------------------|--------|------------|---------|------------|
| Digital Logic Levels | | | | | | |
| Input LOW level | V_{IL} | | | | 0.8 | V |
| Input HIGH level | V_{IH} | | 2.0 | | | V |
| Analogue Output Levels | | | | | | |
| Load Resistance | | To midrail or AC coupled (5V supply) | 1 | | | k Ω |
| | | To midrail or AC coupled (3V supply) | 1 | | | k Ω |
| Maximum capacitance load | | 5V or 3V | | 100 | | pF |
| Output DC level | | | | $V_{DD}/2$ | | V |
| Reference Levels | | | | | | |
| Potential divider resistance | | V_{DD} to CAP and CAP to GND | 80 | 100 | 120 | k Ω |
| Voltage at CAP | | VDD = 5V | 2.3 | 2.5 | 2.7 | V |
| DAC Circuit Specifications | | | | | | |
| SNR (Note 1) | | VDD = 5V | 90 | 99 | | dB |
| | | VDD = 3V | | 97 | | dB |
| Full scale output voltage | | Into 10kohm VDD = 5V, 0dB | 0.9 | 1.0 | 1.1 | V_{RMS} |
| | | Into 10kohm VDD = 3V, 0dB | | 0.6 | | V_{RMS} |
| THD (Full scale) | | 0dB | | 0.01 | 0.02 | % |
| THD+N (Dynamic range) | | -60dB | | 92 | | dB |
| Frequency response | | | 0 | | 20,000 | Hz |
| Transition band | | | 20,000 | | | Hz |
| Out of band rejection | | | | -40 | | dB |
| Channel Separation | | | | 90 | | dB |
| Gain mismatch channel-to-channel | | | | ± 1 | ± 5 | %FSR |
| Audio Data Input and System Clock Timing Information | | | | | | |
| BCKIN pulse cycle time | t_{BCY} | | 100 | | | ns |
| BCKIN pulse width high | t_{BCH} | | 50 | | | ns |
| BCKIN pulse width low | t_{BCL} | | 50 | | | ns |
| BCKIN rising edge to LRCIN edge | t_{BL} | | 30 | | | ns |
| LRCIN rising edge to BCKIN rising edge | t_{LB} | | 30 | | | ns |
| DIN setup time | t_{DS} | | 30 | | | ns |
| DIN hold time | t_{DH} | | 30 | | | ns |
| System clock pulse width high | t_{SCKIH} | | 13 | | | ns |
| System clock pulse width low | t_{SCKIL} | | 13 | | | ns |

Notes:

- Ratio of output level with 1kHz full scale input, to the output level with all zeros into the digital input, measured "A" weighted over a 20Hz to 20kHz bandwidth.
- All performance measurements done with 20kHz low pass filter. Failure to use such a filter will result in higher THD+N and lower SNR and Dynamic Range readings than are found in the Electrical Characteristics. The low pass filter removes out of band noise; although it is not audible, it may affect dynamic specification values.

PIN DESCRIPTION

| PIN | NAME | TYPE | DESCRIPTION |
|-----|--------|-----------------|---|
| 1 | LRCIN | Digital input | Sample rate clock input |
| 2 | DIN | Digital input | Serial data input |
| 3 | BCKIN | Digital input | Bit clock input |
| 4 | NC | No connect | No internal connection |
| 5 | CAP | Analogue output | Analogue internal reference |
| 6 | VOUTR | Analogue output | Right channel DAC output |
| 7 | GND | Supply | 0V supply |
| 8 | VDD | Supply | Positive supply |
| 9 | VOUTL | Analogue output | Left channel DAC output |
| 10 | MUTE | Digital input | Mute control, high = muted. Internal pull-down |
| 11 | NC | No connect | No internal connection |
| 12 | DEEMPH | Digital input | De-emphasis select, high = de-emphasis ON. Internal pull-up |
| 13 | FORMAT | Digital input | Data input format select, low = normal, high = I ² S. Internal pull-up |
| 14 | SCKI | Digital input | System clock input (256fs or 384fs) |

INTERNAL POWER ON RESET

The WM8725 includes an internal power-on reset circuit. This is shown in Figure 1. This reset circuit is used to reset the digital logic into a default state after power up.

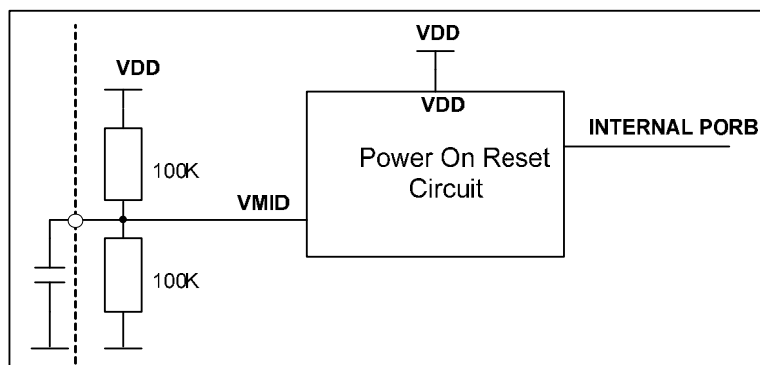


Figure 1 Internal Power on Reset Circuit

The timing of the power on reset is shown in Figure 2. The circuit monitors VDD and VMID (CAP pin) and asserts PORB low when VMID is below the minimum threshold V_{por} . It is assumed that VMID will rise slower than VCC due to the capacitor on VMID.

WM8725 POR

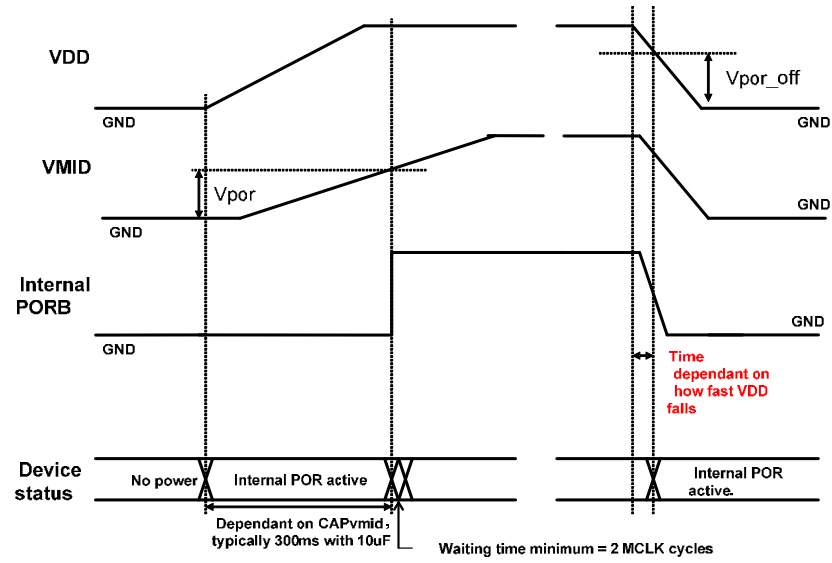


Figure 2 Power on/off Reset Timing

| SYMBOL | Min | Typ | Max | Unit |
|----------|------|-----|------|------|
| Vpor | 0.85 | 1.0 | 1.2 | V |
| Vpor_off | 2.25 | 2.5 | 2.75 | V |

Table 1 Power on/off Reset Timing

At power on, when VDD and VMID have been established, PORB is released and the WM8725 has been reset.

At power down, PORB is asserted low whenever VMID drops below the minimum threshold of Vpor_off.

If VDD is removed at any time, the internal power-on reset circuit is powered down and PORB will follow VDD.

DEVICE DESCRIPTION

INTRODUCTION

WM8725 is a complete stereo audio 16-24 bit digital-to-analogue converter, including digital interpolation filter, multibit sigma-delta with dither, and switched capacitor multibit stereo DAC and output smoothing filters.

Special functions of mute and de-emphasis are provided, and operation using system clock of 256fs or 384fs is provided, selection between either clock rate being automatically controlled. Sample rates (fs) from less than 8ks/s to 96ks/s are allowed, provided the appropriate system clock is input.

| MUTE | DESCRIPTION |
|------|-------------|
| 0 | Mute is OFF |
| 1 | Mute is ON |

Table 2 Mute Control

A novel multi bit sigma-delta DAC design is used, utilising a 64x oversampling rate, to optimise signal to noise performance and offer increased clock jitter tolerance.

Internally generated midrail references are used to DC bias output signals, requiring only a single external capacitor for decoupling purposes.

Single 3V to 5V supplies may be used, the output amplitude scaling with absolute supply level. Low supply voltage operation and low current consumption, and the low pin count small package, make the WM8725 attractive for many consumer type applications.

DAC CIRCUITS

The WM8725 DACs are designed to allow playback of 16-bit PCM audio or similar data with high resolution and low noise and distortion. Sample rates up to 96ks/s may be used, with much lower sample rates acceptable provided that the ratio of sample rate (LRCIN) to system clock is maintained at the required 256fs or 384fs times.

The DACs on WM8725 are implemented using sigma-delta oversampled conversion techniques. These require that the PCM samples are digitally filtered and interpolated to generate a set of samples at a much higher rate than the 96ks/s input rate. This sample stream is then digitally modulated to generate a digital pulse stream that is then converted to analogue signals in a switched capacitor DAC. The advantage of this technique is that the DAC is linearised using noise shaping techniques, allowing the full performance to be met using non-critical analogue components. A further advantage is that the high sample rate at the DAC output means that smoothing filters on the output of the DAC need only have fairly crude characteristics in order to remove the characteristic steps, or images, on the output of the DAC. To ensure that generation of tones characteristic to sigma-delta converters is not a problem, dithering is used in the digital modulator and a higher order modulator is used. The switched capacitor technique used in the DAC reduces sensitivity to clock jitter compared to switched current techniques used in other implementations.

De-emphasis of 44.1kHz signals may be applied if required.

| DEEMPH | DESCRIPTION |
|--------|--------------------|
| 0 | De-emphasis is OFF |
| 1 | De-emphasis is ON |

Table 3 De-emphasis Control

The voltage on the CAP pin is used as the reference for the DACs, therefore the amplitude of the signals at the DAC outputs will scale with the amplitude of the voltage at the CAP. An external reference could be used to drive into the CAP pin if desired, but a value typically of about midrail should be used for optimum performance.

The outputs of the 2 DACs are buffered out of the device by buffer amplifiers. These amplifiers will source load current of several mA and sink current up to 1.5mA, so allowing significant loads to be driven. The output source is active and the sink is Class A, i.e. fixed value, so greater loads might be driven if an external 'pull-down' resistor is connected at the output.

Typically an external low pass filter circuit will be used to remove residual sampling noise of the 64x oversampling used and if desired adjust the signal amplitude and device strength.

SERIAL DATA INTERFACE

WM8725 has serial interface formats that are fully compatible with both normal (MSB first, 16 bit right-justified) and I²S interfaces. The data format is selected with the FORMAT pin. When FORMAT is LOW, normal data format is selected. When the format is HIGH, I²S format is selected. It must be noted that in "packed" mode operation (exactly 32 BCLKs per LRCIN period), the data word must align exactly with LRCIN clock edges (effectively both left and right justified at the same time). This is true in both normal and I²S modes.

| FORMAT | DESCRIPTION |
|--------|---|
| 0 | Normal format (MSB-first, 16 bit right justified) |
| 1 | I ² S format (Philips serial data protocol) |

Table 4 Serial Interface Formats

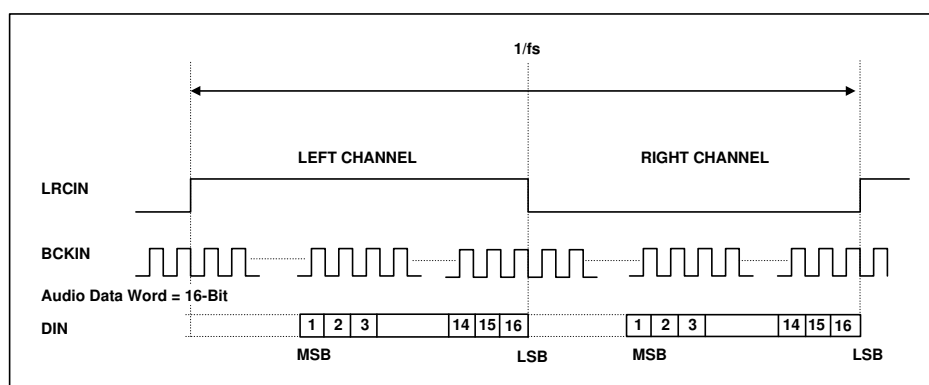


Figure 3 'Normal' Data Input Timing

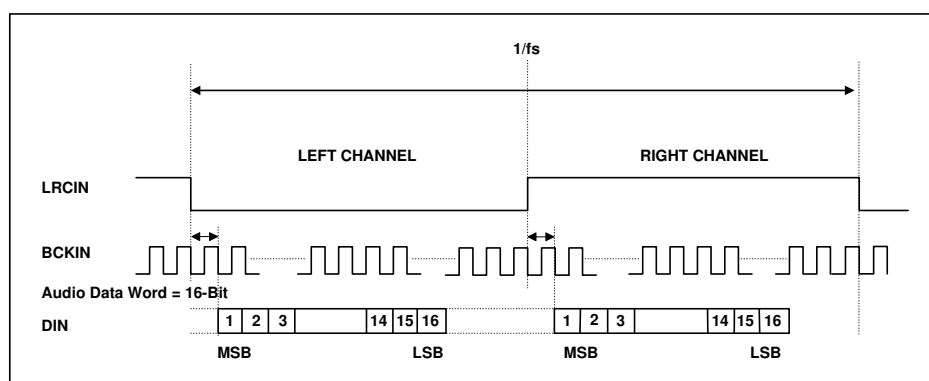


Figure 4 I2S Data Input Timing

SYSTEM CLOCK

The system clock is used to operate the digital filters and the noise shaping circuits. The system clock input is at pin 14 (SCKI). The frequency of WM8725's system clock should be set to 256fs or 384fs, (where fs is the audio sampling frequency). The sample rate is typically: 32 kHz, 44.1 kHz, 48 kHz or 96kHz.

WM8725 has a system clock detection circuit that automatically determines whether the system clock being supplied is at 256fs or 384fs. The system clock should be synchronised with LRCIN, but WM8725 is tolerant of phase differences. Severe distortion in the phase difference between LRCIN and the system clock will be detected, and cause the device to automatically resynchronise. During resynchronisation, the output of the device will either repeat the previous sample, or drop the next sample, depending on the nature of the phase slip. This will ensure minimal "click" at the analogue outputs during resynchronisation.

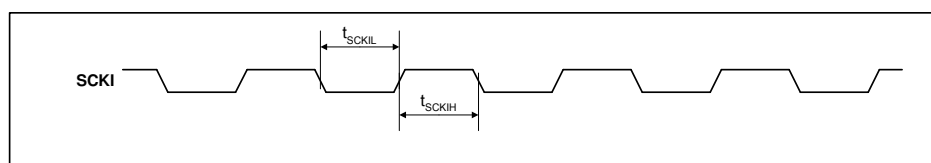


Figure 5 System Clock Timing Requirements

| SAMPLING RATE (LRCIN) | SYSTEM CLOCK FREQUENCY (MHz) | |
|-----------------------|------------------------------|---------------------|
| | 256fs | 384fs |
| 32 kHz | 8.192 | 12.288 |
| 44.1 kHz | 11.2896 | 16.9340 |
| 48 kHz | 12.288 | 18.432 |
| 96kHz | 24.576 ¹ | 36.864 ¹ |

Table 5 System Clock Frequencies Versus Sampling Rate

Notes:

- 1 96kHz sample rate at either 256fs or 384fs are only supported with 5V supplies.

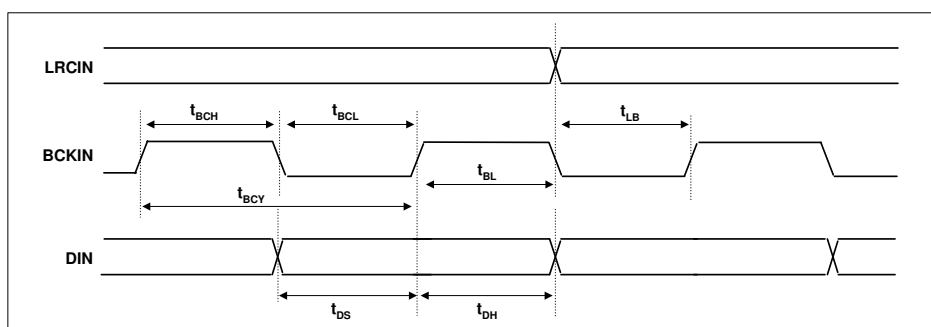


Figure 6 Audio Data Input Timing

RECOMMENDED EXTERNAL COMPONENTS

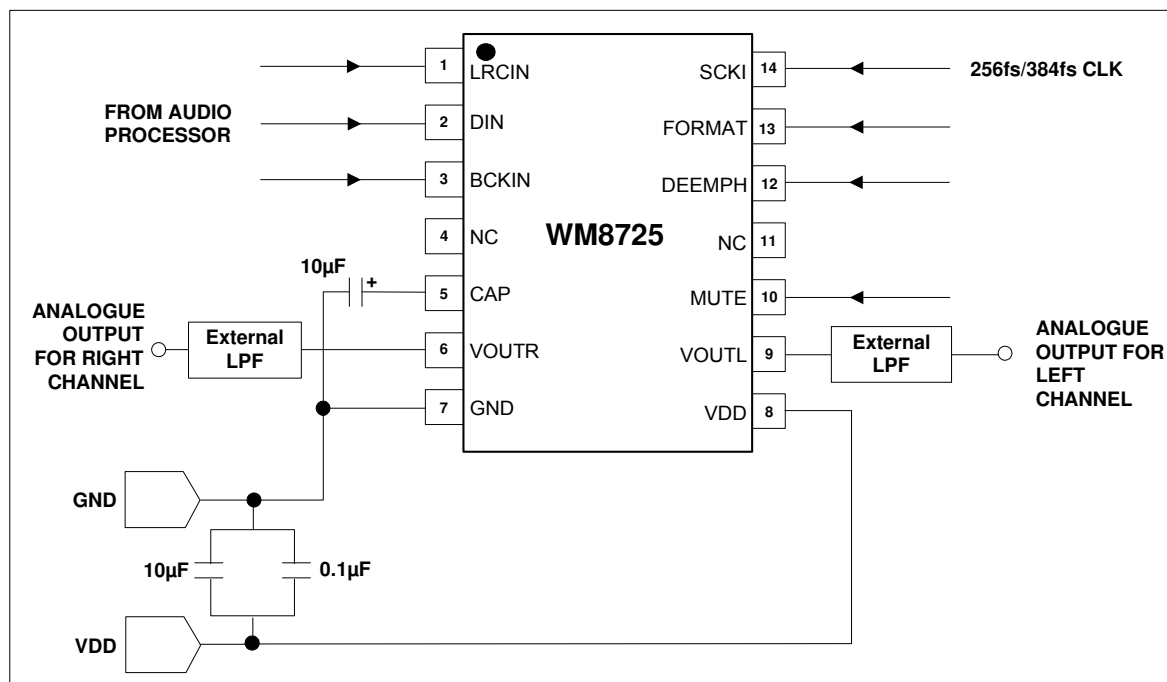


Figure 7 Recommended External Components

DETAIL OF RECOMMENDED EXTERNAL COMPONENTS SHOWING THE EXTERNAL LOW PASS FILTER

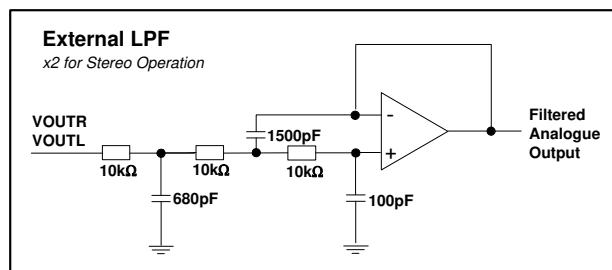


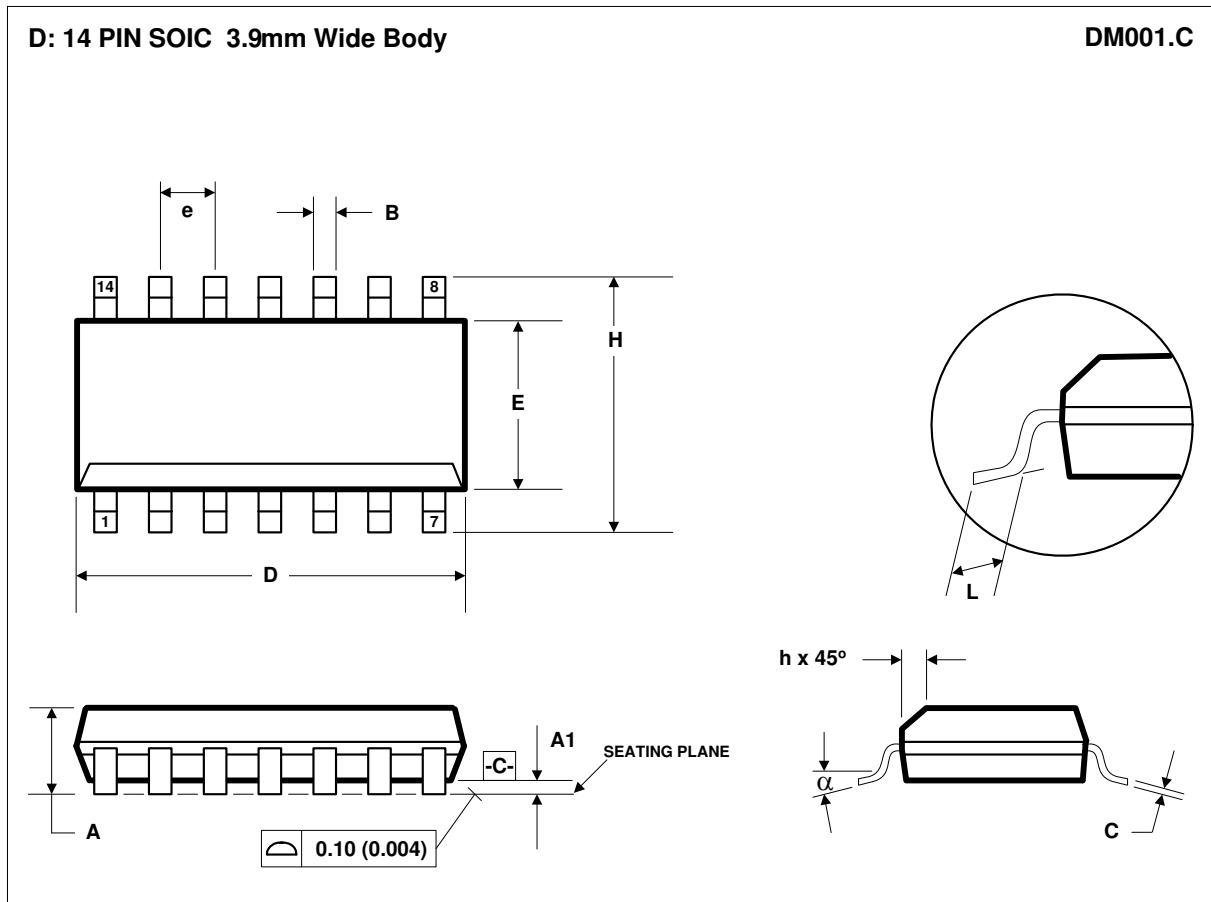
Figure 8 Third-Order Low Pass Filter (LPF) Example

An external low pass filter is recommended (see Figure 8) if the device is driving a wideband amplifier. In some applications, second-order or passive RC filter may be adequate.

PCB LAYOUT

1. Place all supply decoupling capacitors as close as possible to their respective supply pins and provide a low impedance path from the capacitors to the appropriate ground.
2. Separate analogue and digital ground planes should be situated under respective analogue and digital device pins.
3. Avoid noise on the CAP reference pin. The decoupling capacitor should be placed as close to this pin as possible with a low impedance path from the capacitor to analogue ground.
4. Digital input signals should be screened from each other and from other sources of noise to avoid cross-talk and interference. They should also run over the digital ground plane to avoid introducing unwanted noise into the analogue ground plane.
5. Analogue output signal tracks should be kept as short as possible and over the analogue ground plane reducing the possibility of losing signal quality.

PACKAGE DIMENSIONS



| Symbols | Dimensions (MM) | | Dimensions (Inches) | |
|-------------|------------------|------|---------------------|--------|
| | MIN | MAX | MIN | MAX |
| A | 1.35 | 1.75 | 0.0532 | 0.0688 |
| A1 | 0.10 | 0.25 | 0.0040 | 0.0098 |
| B | 0.33 | 0.51 | 0.0130 | 0.0200 |
| C | 0.19 | 0.25 | 0.0075 | 0.0098 |
| D | 8.55 | 8.75 | 0.3367 | 0.3444 |
| E | 3.80 | 4.00 | 0.1497 | 0.1574 |
| e | 1.27 BSC | | 0.05 BSC | |
| H | 5.80 | 6.20 | 0.2284 | 0.2440 |
| h | 0.25 | 0.50 | 0.0099 | 0.0196 |
| L | 0.40 | 1.27 | 0.0160 | 0.0500 |
| α | 0° | 8° | 0° | 8° |
| REF: | JEDEC.95, MS-012 | | | |

- NOTES:
 A. ALL LINEAR DIMENSIONS ARE IN MILLIMETERS (INCHES).
 B. THIS DRAWING IS SUBJECT TO CHANGE WITHOUT NOTICE.
 C. BODY DIMENSIONS DO NOT INCLUDE MOLD FLASH OR PROTRUSION, NOT TO EXCEED 0.25MM (0.010IN).
 D. MEETS JEDEC.95 MS-012, VARIATION = AB. REFER TO THIS SPECIFICATION FOR FURTHER DETAILS.

IMPORTANT NOTICE

Wolfson Microelectronics plc ("Wolfson") products and services are sold subject to Wolfson's terms and conditions of sale, delivery and payment supplied at the time of order acknowledgement.

Wolfson warrants performance of its products to the specifications in effect at the date of shipment. Wolfson reserves the right to make changes to its products and specifications or to discontinue any product or service without notice. Customers should therefore obtain the latest version of relevant information from Wolfson to verify that the information is current.

Testing and other quality control techniques are utilised to the extent Wolfson deems necessary to support its warranty. Specific testing of all parameters of each device is not necessarily performed unless required by law or regulation.

In order to minimise risks associated with customer applications, the customer must use adequate design and operating safeguards to minimise inherent or procedural hazards. Wolfson is not liable for applications assistance or customer product design. The customer is solely responsible for its selection and use of Wolfson products. Wolfson is not liable for such selection or use nor for use of any circuitry other than circuitry entirely embodied in a Wolfson product.

Wolfson's products are not intended for use in life support systems, appliances, nuclear systems or systems where malfunction can reasonably be expected to result in personal injury, death or severe property or environmental damage. Any use of products by the customer for such purposes is at the customer's own risk.

Wolfson does not grant any licence (express or implied) under any patent right, copyright, mask work right or other intellectual property right of Wolfson covering or relating to any combination, machine, or process in which its products or services might be or are used. Any provision or publication of any third party's products or services does not constitute Wolfson's approval, licence, warranty or endorsement thereof. Any third party trade marks contained in this document belong to the respective third party owner.

Reproduction of information from Wolfson datasheets is permissible only if reproduction is without alteration and is accompanied by all associated copyright, proprietary and other notices (including this notice) and conditions. Wolfson is not liable for any unauthorised alteration of such information or for any reliance placed thereon.

Any representations made, warranties given, and/or liabilities accepted by any person which differ from those contained in this datasheet or in Wolfson's standard terms and conditions of sale, delivery and payment are made, given and/or accepted at that person's own risk. Wolfson is not liable for any such representations, warranties or liabilities or for any reliance placed thereon by any person.

ADDRESS:

Wolfson Microelectronics plc
Westfield House
26 Westfield Road
Edinburgh
EH11 2QB
United Kingdom

Tel :: +44 (0)131 272 7000

Fax :: +44 (0)131 272 7001

Email :: sales@wolfsonmicro.com

REVISION HISTORY

| DATE | REV | ORIGINATOR | CHANGES |
|-------------|------------|-------------------|--|
| 20/02/12 | 4.3 | JMacD | Order codes updated from WM8725GED/V and WM8725GED/RV to WM8725CGED and WM8725CGED/R to reflect change to copper wire bonding. |
| 20/02/12 | 4.3 | JMacD | MSL changed from MSL2 to MSL1. |
| 01/02/12 | 4.3 | JMacD | Operating Temp changed to -40°C to +85°C |