

AKG 4 YE - Connection terminal block



3062948

<https://www.phoenixcontact.com/us/products/3062948>

Please be informed that the data shown in this PDF document is generated from our online catalog. Please find the complete data in the user documentation. Our general terms of use for downloads are valid.



Connection terminal block, nom. voltage: 300 V, nominal current: 41 A, connection method: Screw connection, Rated cross section: 4 mm², cross section: 0.5 mm² - 6 mm², mounting: Neutral busbar, color: yellow

Commercial data

Item number	3062948
Packing unit	1 pc
Minimum order quantity	50 pc
Sales key	BE73
Product key	BE7331
Catalog page	Page 554 (C-3-2019)
GTIN	4046356558341
Weight per piece (including packing)	5.538 g
Weight per piece (excluding packing)	5.469 g
Customs tariff number	85369010
Country of origin	DE

AKG 4 YE - Connection terminal block



3062948

<https://www.phoenixcontact.com/us/products/3062948>

Technical data

Product properties

Product type	Installation terminal block
Number of connections	1
Number of rows	1

Electrical properties

Maximum load current	41 A
Maximum power dissipation for nominal condition	1.02 W
Nominal current I_N	32 A
Current carrying capacity of the neutral busbar	140 A

Connection data

Nominal cross section	4 mm ²
Maximum load current	41 A

Level 1 above 1 below 1

Screw thread	M4
Tightening torque	1.5 ... 1.8 Nm
Stripping length	16 mm
Conductor cross section rigid	0.5 mm ² ... 6 mm ²
Cross section AWG	20 ... 10 (converted acc. to IEC)
Conductor cross section flexible	0.5 mm ² ... 4 mm ²
Conductor cross section, flexible [AWG]	20 ... 12 (converted acc. to IEC)
Conductor cross-section flexible (ferrule without plastic sleeve)	0.5 mm ² ... 6 mm ²
Flexible conductor cross section (ferrule with plastic sleeve)	0.5 mm ² ... 6 mm ²
2 conductors with same cross section, solid	0.5 mm ² ... 2.5 mm ²
2 conductors with same cross section, flexible	0.5 mm ² ... 2.5 mm ²
2 conductors with same cross section, flexible, with ferrule without plastic sleeve	0.5 mm ² ... 2.5 mm ²
2 conductors with the same cross section, flexible, with TWIN ferrule with plastic sleeve	0.5 mm ² ... 2.5 mm ²
Nominal current	41 A
Maximum load current	41 A (with 6 mm ² conductor cross section)
Nominal voltage	300 V
Nominal cross section	4 mm ²

Dimensions

AKG 4 YE - Connection terminal block



3062948

<https://www.phoenixcontact.com/us/products/3062948>

Dimensional drawing	
Width	7 mm
Height	23.7 mm
Depth	23.6 mm
Length	23.7 mm

Material specifications

Color	yellow
Flammability rating according to UL 94	V2
Insulating material	PA
Temperature index of insulation material (DIN EN 60216-1 (VDE 0304-21))	125 °C
Relative insulation material temperature index (Elec., UL 746 B)	125 °C
Fire protection for rail vehicles (DIN EN 45545-2) R22	HL 1 - HL 2
Fire protection for rail vehicles (DIN EN 45545-2) R23	HL 1 - HL 2
Fire protection for rail vehicles (DIN EN 45545-2) R24	HL 1 - HL 2

Electrical tests

Temperature-rise test

Requirement temperature-rise test	Increase in temperature \leq 45 K
Result	Test passed
Result	Test passed

Environmental and real-life conditions

Ambient conditions

Ambient temperature (operation)	-60 °C ... 105 °C (max. short-term operating temperature RTI Elec.)
Ambient temperature (storage/transport)	-25 °C ... 60 °C (for a short time, not exceeding 24 h, -60 °C to +70 °C)
Ambient temperature (assembly)	-5 °C ... 70 °C
Ambient temperature (actuation)	-5 °C ... 70 °C
Permissible humidity (storage/transport)	30 % ... 70 %

Mounting

Mounting type	Neutral busbar
---------------	----------------

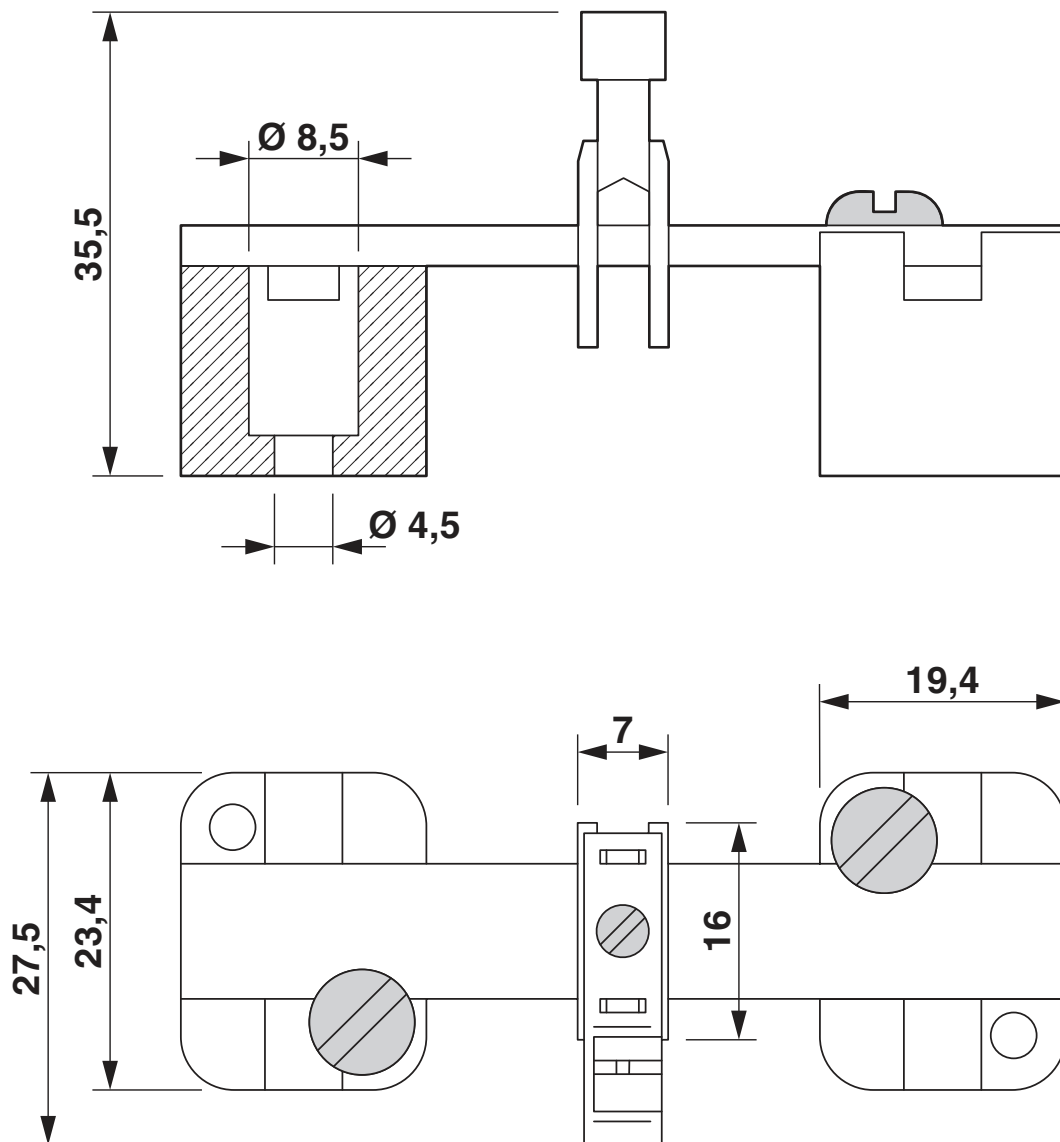
AKG 4 YE - Connection terminal block

3062948

<https://www.phoenixcontact.com/us/products/3062948>

Drawings

Dimensional drawing



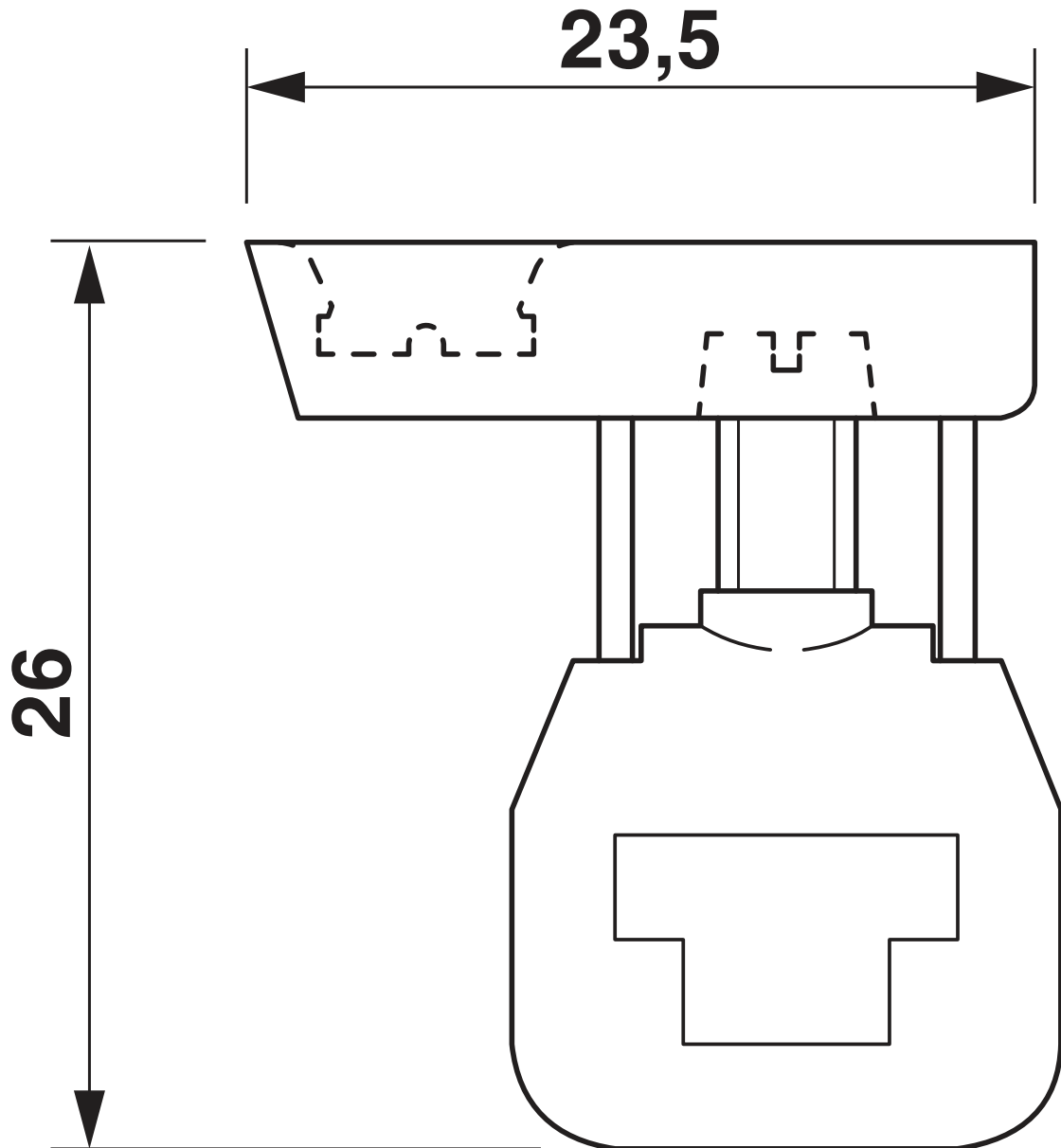
AKG 4 YE - Connection terminal block



3062948

<https://www.phoenixcontact.com/us/products/3062948>

Dimensional drawing



AKG 4 YE - Connection terminal block





3062948


<https://www.phoenixcontact.com/us/products/3062948>


Approvals

To download certificates, visit the product detail page: <https://www.phoenixcontact.com/us/products/3062948>

 CSA Approval ID: 13631				
	Nominal voltage U_N	Nominal current I_N	Cross section AWG	Cross section mm^2
	-	20 A	22 - 12	-

 EAC Approval ID: RU C-DE.AI30.B.01102				
---	--	--	--	--

 cULus Recognized Approval ID: E60425				
	Nominal voltage U_N	Nominal current I_N	Cross section AWG	Cross section mm^2
Use group B				
Field wiring	-	20 A	22 - 12	-
Factory wiring	-	30 A	- 10	-
Use group C				
Field wiring	-	20 A	22 - 12	-
Factory wiring	-	30 A	- 10	-
Use group F				
Field wiring	-	20 A	22 - 12	-
Factory wiring	-	30 A	- 10	-

 EAC Approval ID: RU C-DE.BL08.B.00534				
---	--	--	--	--

AKG 4 YE - Connection terminal block



3062948

<https://www.phoenixcontact.com/us/products/3062948>

Classifications

ECLASS

ECLASS-11.0	27141146
ECLASS-12.0	27141146
ECLASS-13.0	27250116

ETIM

ETIM 8.0	EC000001
----------	----------

UNSPSC

UNSPSC 21.0	31162900
-------------	----------

AKG 4 YE - Connection terminal block

3062948

<https://www.phoenixcontact.com/us/products/3062948>



Environmental product compliance

China RoHS	Environmentally friendly use period: unlimited = EFUP-e
	No hazardous substances above threshold values

AKG 4 YE - Connection terminal block

3062948

<https://www.phoenixcontact.com/us/products/3062948>



Accessories

NLS-CU 3/10 SN 1000MM - Neutral busbar

0402174

<https://www.phoenixcontact.com/us/products/0402174>



Neutral busbar, DIN VDE 0611-4: 1991-02, material: Copper, tin-plated, color: silver

SZS 1,0X4,0 VDE - Screwdriver

1205066

<https://www.phoenixcontact.com/us/products/1205066>



Screwdriver, slot-headed, VDE insulated, size: 1.0 x 4.0 x 100 mm, 2-component grip, with non-slip grip

AKG 4 YE - Connection terminal block

3062948

<https://www.phoenixcontact.com/us/products/3062948>



SZS 1,0X6,5 VDE - Screwdriver

1205079

<https://www.phoenixcontact.com/us/products/1205079>



Screwdriver, slot-headed, VDE insulated, size: 1.0 x 6.5 x 150 mm, 2-component grip, with non-slip grip

NLS-CU 6/ 6 SN 1000MM - Neutral busbar

0402161

<https://www.phoenixcontact.com/us/products/0402161>



Neutral busbar, material: Copper, tin-plated, color: silver

Phoenix Contact 2023 © - all rights reserved
<https://www.phoenixcontact.com>

Phoenix Contact USA
586 Fulling Mill Road
Middletown, PA 17057, United States
(+717) 944-1300
info@phoenixcon.com