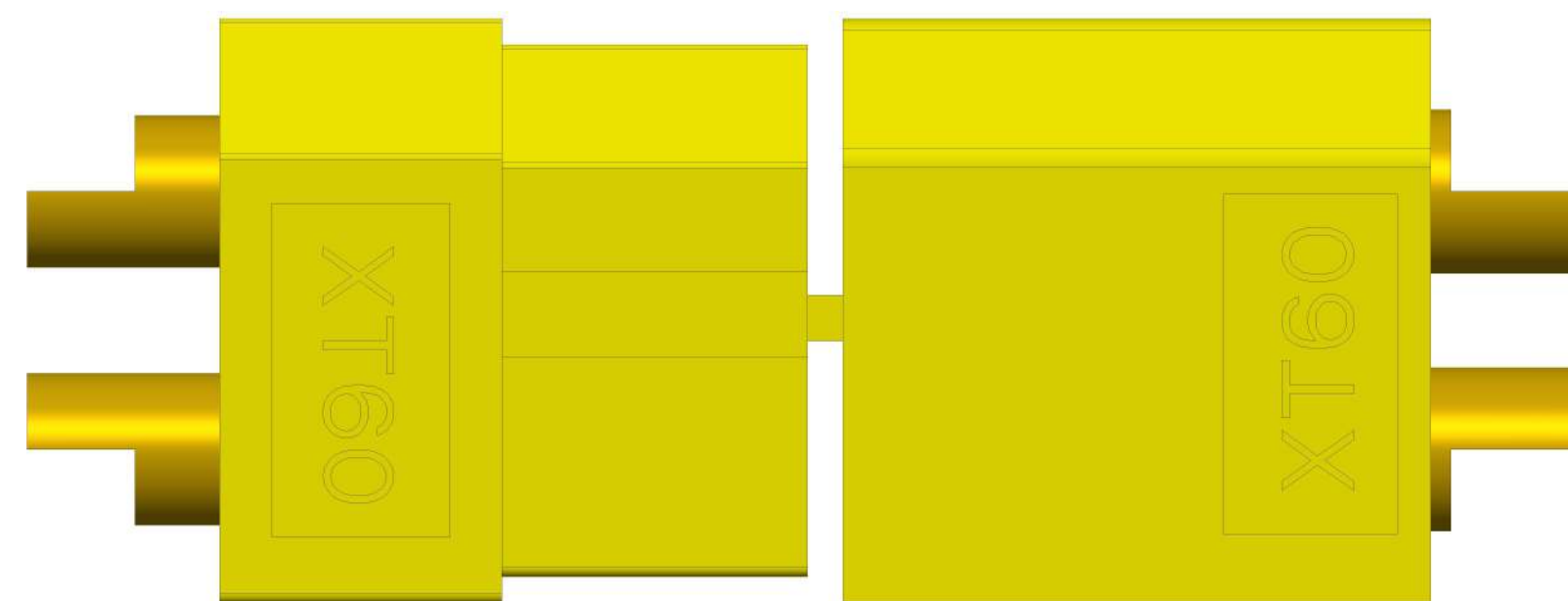
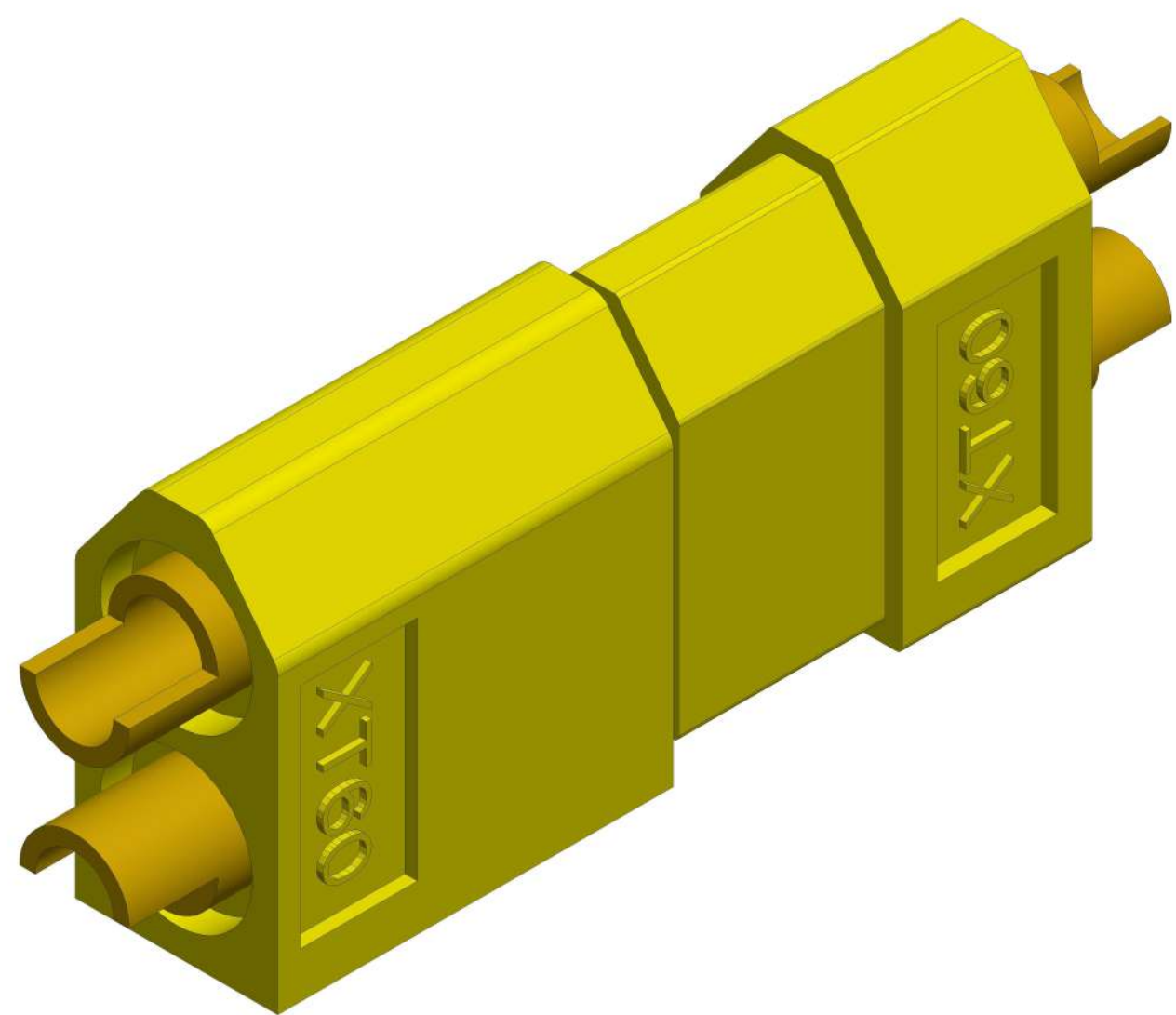
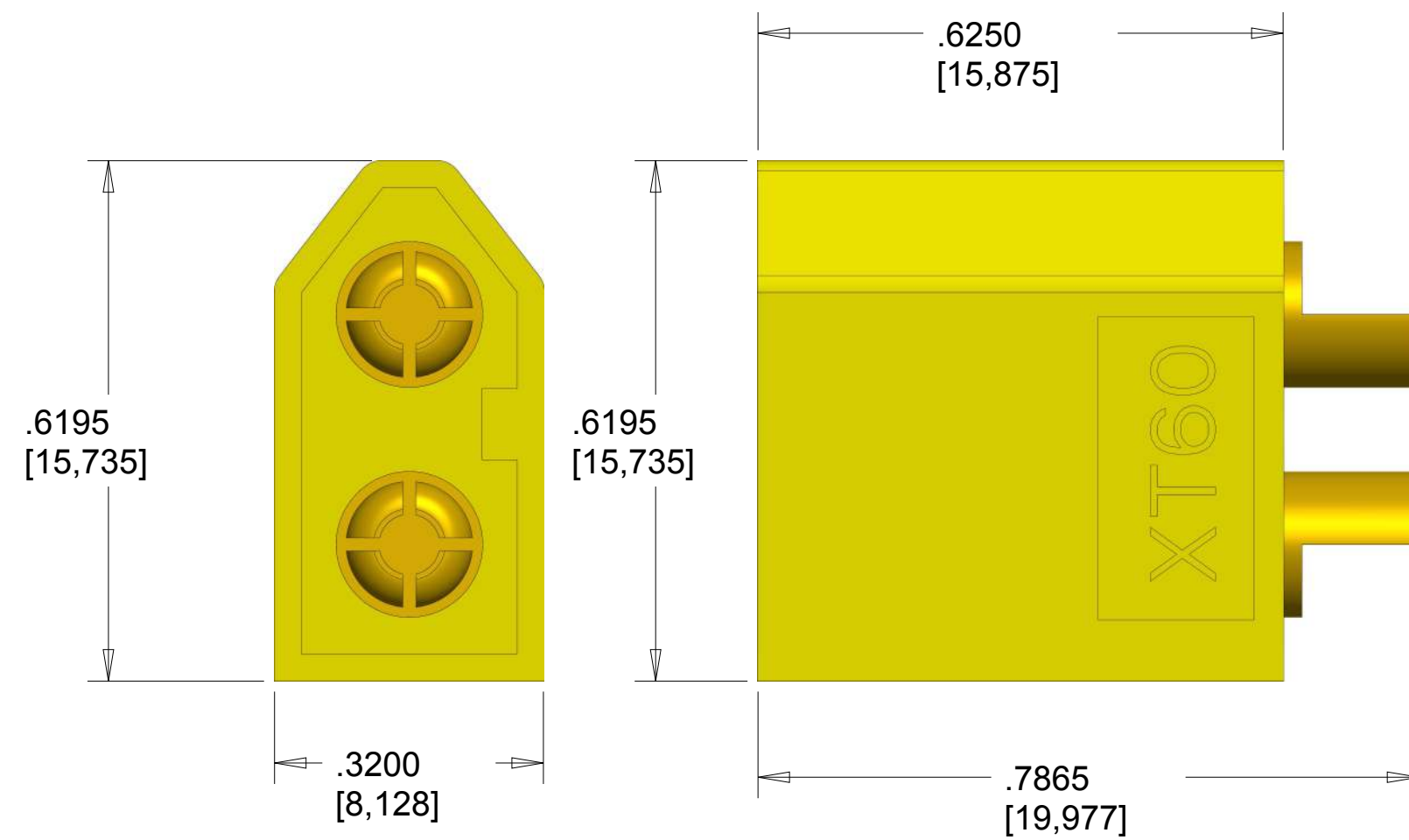
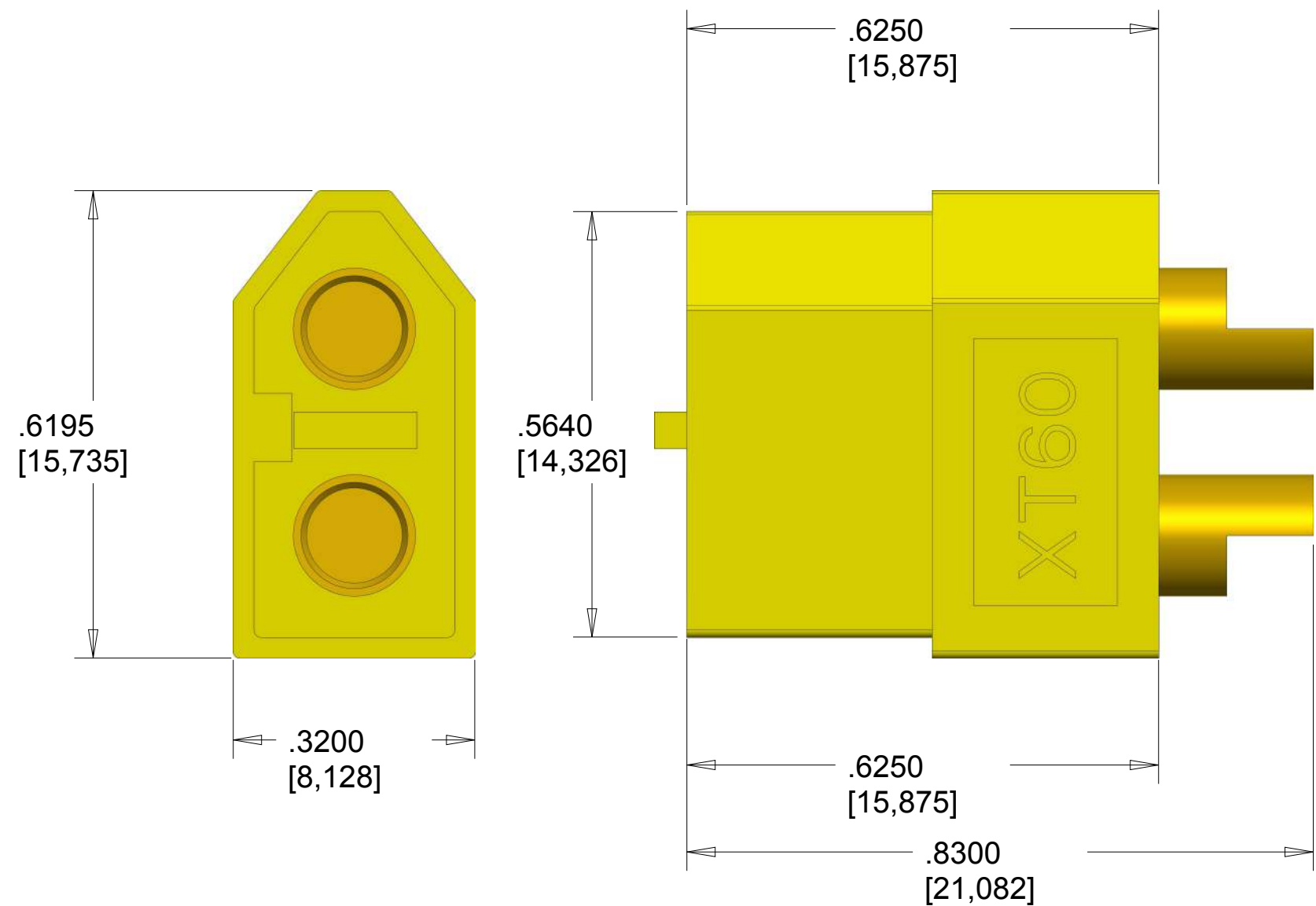


4

3

2

1



SCALE 5.000

<p>These connectors are made from high-temp nylon with gold-plated spring pins or sockets molded in. The shape of the XT60 prevents reverse polarity, and when plugged in the connection is super-solid. Perfect for applications up to and beyond 65A continuous draw. Sold in pairs of 1 male and 1 female connector.</p> <p>NOTES:</p>	MATERIAL:	Nylon + Metal	MODEL NAME:	XT60 Connector		
	XT60 Connectors - Male/Female Pair PRT-10474		https://www.sparkfun.com/products/10474			
	DESCRIPTION:		PAGE SIZE C			
	DRAWN BY:	Paul Smith	SCALE:			5.00
	DATE:	10 July 2013	UNITS:			inch [mm]
CAD APPLICATION: Creo Parametric 2.0		VER:	1.0			
				SHEET 1 / 1		

4

3

2

1