

PART NAME HAND HELD ENCLOSURE (STYLE D)

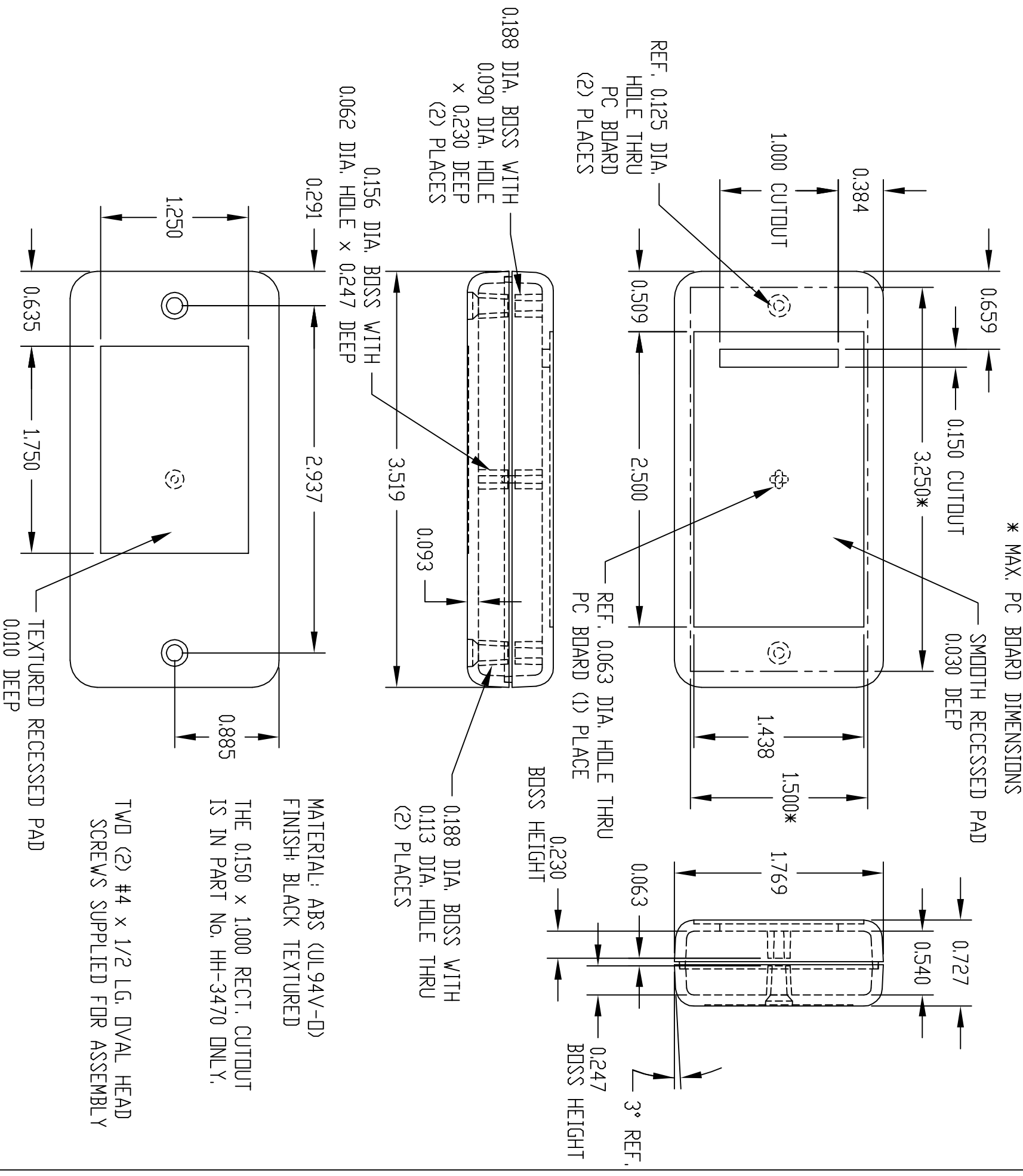
PART No.

HH-3470 & HH-3471

REV. DATE

10-29-08

ALL DIMENSIONS HAVE  $\pm 0.015$  TOLERANCE



PART NAME HAND HELD KEYRING (STYLE E)

PART No.

HH-3490

REV. DATE

10-29-08

ALL DIMENSIONS HAVE  $\pm 0.015$  TOLERANCE

